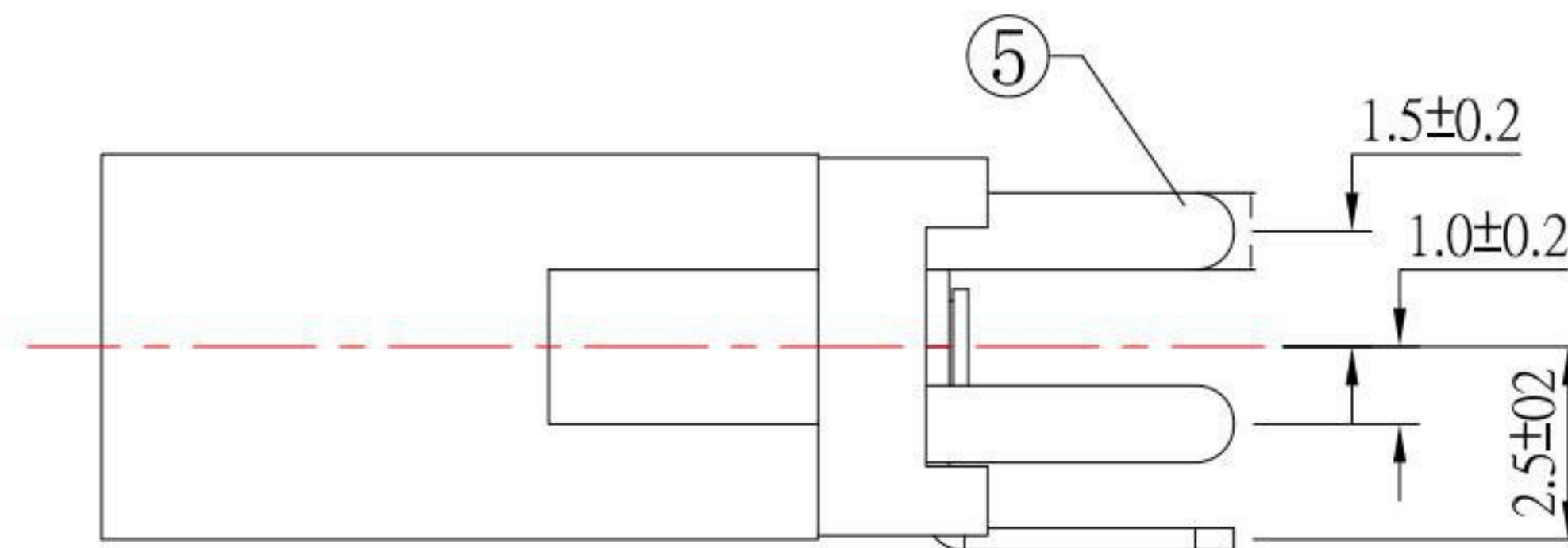
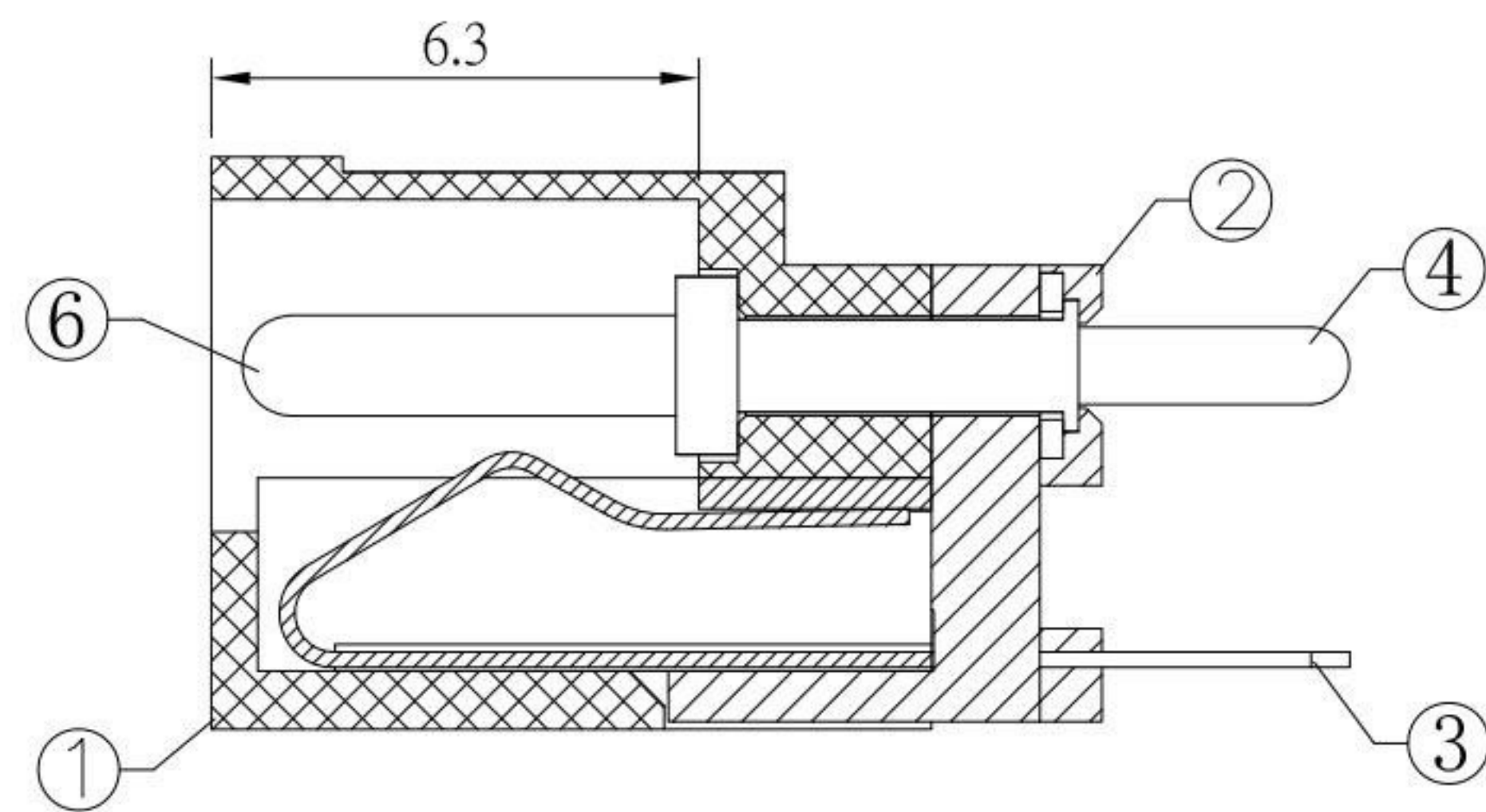


P.C.B LAYOUT  
TOP VIEW



**SPECIFICATION**

- 1. Rating : DC 30V 2.0A ;
- 2. Contact resistance :  $\leq 30m\Omega$  ;
- 3. Insulation resistance :  $\geq 100M\Omega$  ;
- 4. Withstand voltage : 500VAC ;
- 5. Insertion and extraction force : 3-20N;
- 6. life test : 5,000 cycles °

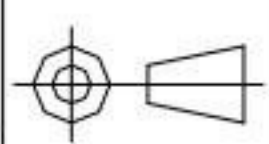
MODEL NO.	DC-009V-1.65
SCHEMATIC	

NO.	DESCRIPTION	QTY	MATERIAL	FINISH
6	PIN	1	BRASS	Ni-PLATED
5	CURVE PIECE	1	BRASS	Sn-PLATED
4	FLAT PIECE	1	BRASS	Sn-PLATED
3	SPRING	1	SUS	Sn-PLATED
2	COVER	1	PBT	
1	HOUSING	1	PBT	

**KSD** 科斯达电子科技有限公司  
SWITCH CONNECTOR KSD ELECTRONIC TECHNOLOGY Co., LTD  
全球 互联零组件制造企业

TOLERANCE UNLESS OTHERWISE STATED :  
 Up to 5 ±0.2  
 Above 5 ~ 15 ±0.3  
 Above 15 ~ 30 ±0.4  
 Above 30 ~ 50 ±0.5  
 Angle ±0.3°

3RD. ANGEL'S



UNITS MM

DRAWN BY: Jack Lu  
 DATE: 07/28/22  
 CHECKED BY: Jacky Chen  
 DATE: 07/28/22  
 APPROVED BY: Tony Kao  
 DATE: 07/28/22

MAT'L	TITLE	JACK
FINISH	MODLE	DC JACK
SCALE	DWG NO.	DC-009V-1.65-S124
SHEET NO.	PART NO.	DC-009V-1.65-S124

SIZE A4  
 VER R1

ITEM NO.	DESCRIPTION	DRAWN	DATE
1	更新材質	Jack	072822