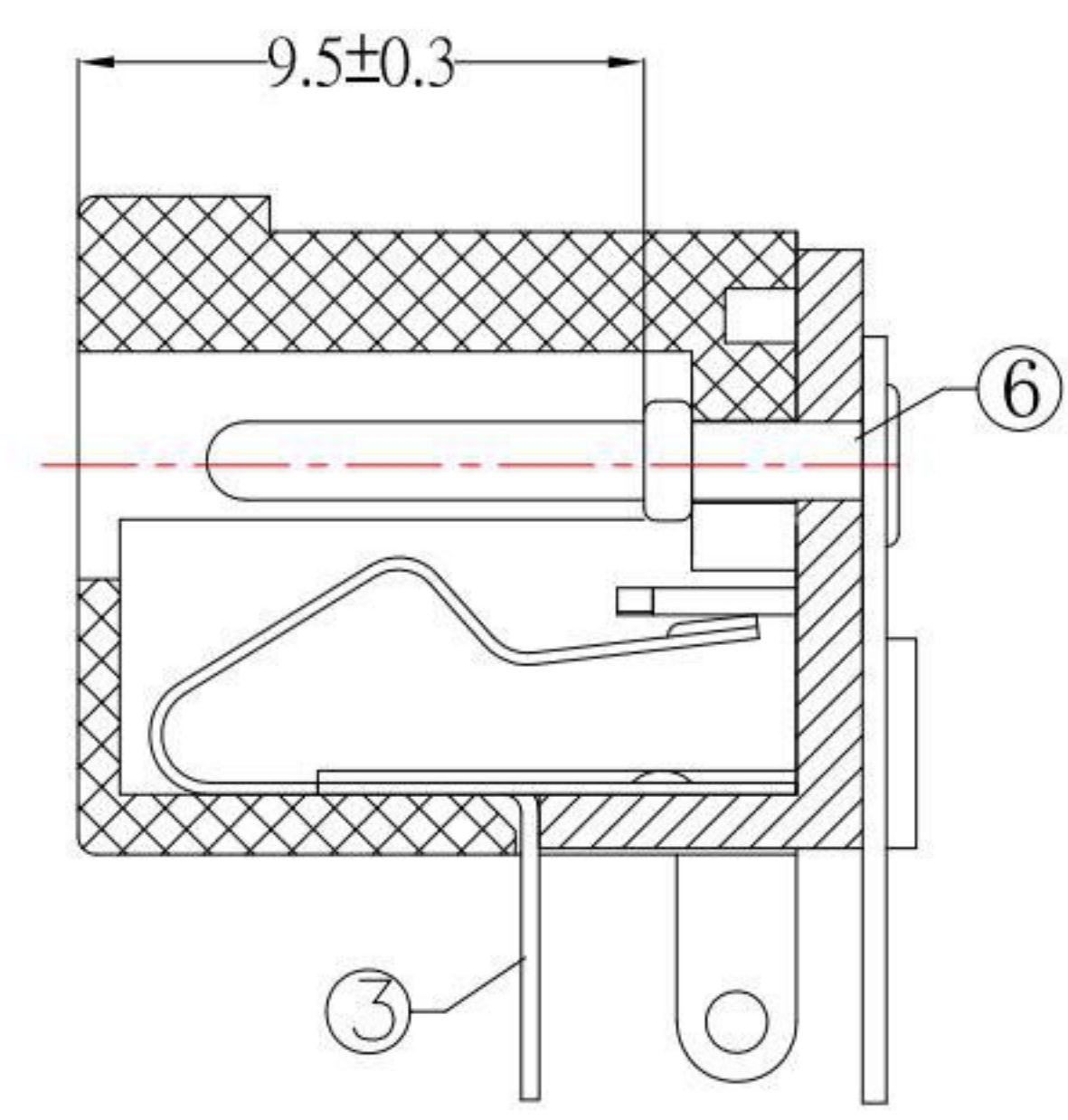


P.C.B LAYOUT  
TOP VIEW



RECOMMENDED PLUG

**SPECIFICATION**

1. Rating : DC 16V , 3.0A ;
2. Contact resistance :  $\leq 30m\Omega$  ;
3. Insulation resistance :  $\geq 100M\Omega$  ;
4. Withstand voltage : 500VAC ;
5. Insertion and extraction force : 3-30N ;
6. life test : 5,000 cycles .

MODEL NO.	DC-014-1-x-S124
SCHEMATIC	
CENTER PIN	$\phi 1.0mm$
	$\phi 1.3mm$

NO.	DESCRIPTION	QTY	MATERIAL	PLATING
6	PIN	1	BRASS	Ni-Plating
5	FLAT FOOT	1	BRASS	Ag-Plating
4	CURVE PIECE	1	BRASS	Ag-Plating
3	SPRING PIECE	1	PHOSPHOR BRONZE	Ag-Plating
2	COVER	1	PBT	
1	HOUSING	1	PBT	

ITEM NO.	DESCRIPTION	DRAWN	DATE
6	更新SPEC和材質鍍層	Jack	050423
5	更新圖面尺寸	Jack	042222
4	更新Rating和PCB LAYOUT孔位樣式	Jack	111621
3	更新圖面	Jack	110320
2	更新PCB LAYOUT尺寸及新增PLUG圖	Jack	020618
1	更新為A0版	Jack	051717

**KSD** 科斯达电子科技有限公司  
 SWITCH CONNECTOR 全球 互聯零組件製造企業  
 KSD ELECTRONIC TECHNOLOGY Co., LTD

TOLERANCE UNLESS OTHERWISE STATED :  
 Up to 5 ±0.2  
 Above 5 ~ 15 ±0.3  
 Above 15 ~ 30 ±0.4  
 Above 30 ~ 50 ±0.5  
 Angle ±0.3°

3RD. ANGEL'S

UNITS MM

DRAWN BY:	DATE	MAT'L	TITLE	JACK
Jack Lu	05/04/23			
CHECKED BY:	DATE	FINISH	MODLE	DC JACK DIP TYPE
Jacky Chen	05/04/23			
APPROVED BY:	DATE	SCALE	DWG NO.	DC-014-1-x-S124
Tony Kao	05/04/23	1:1		
		SHEET NO.	PART NO.	DC-014-1-x-S124
		1 of 1		

SIZE	A4
VER	R6