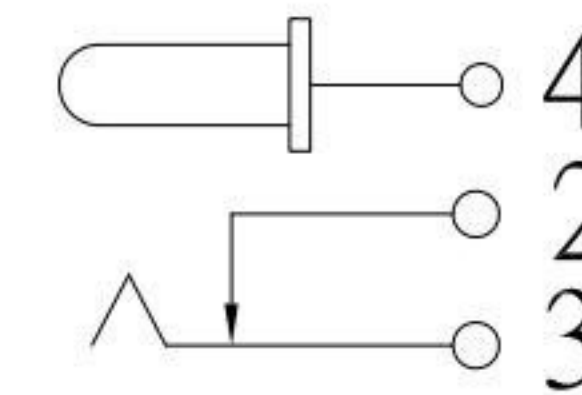
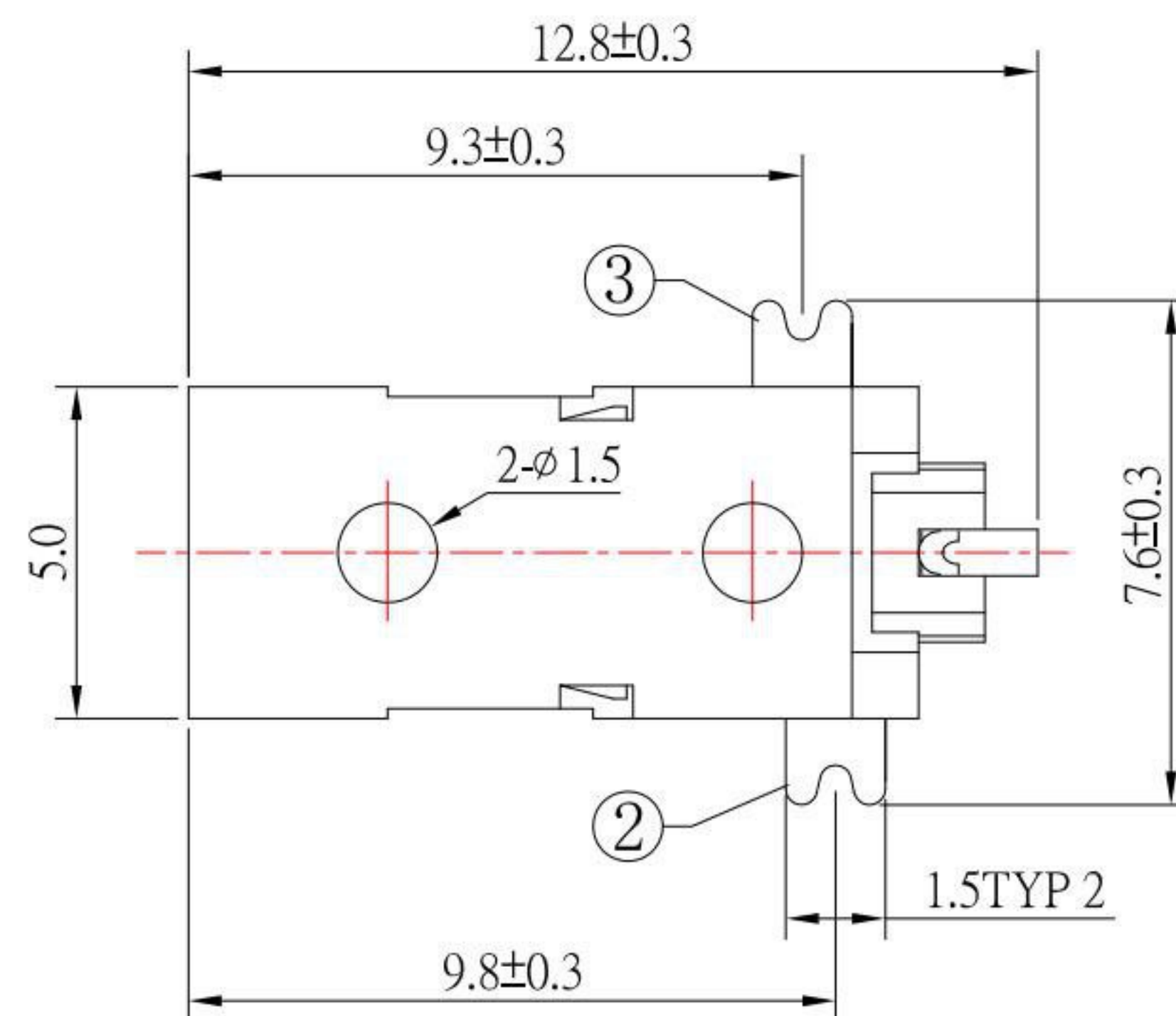
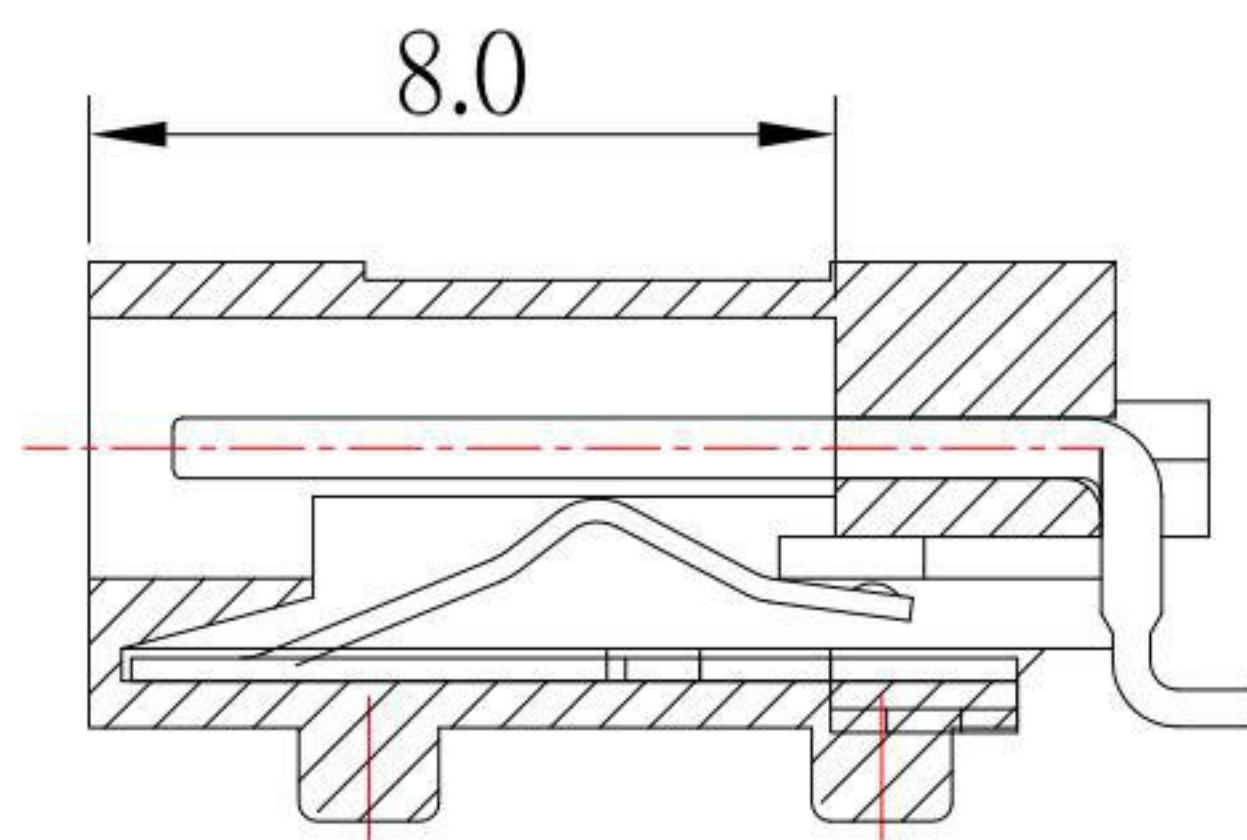


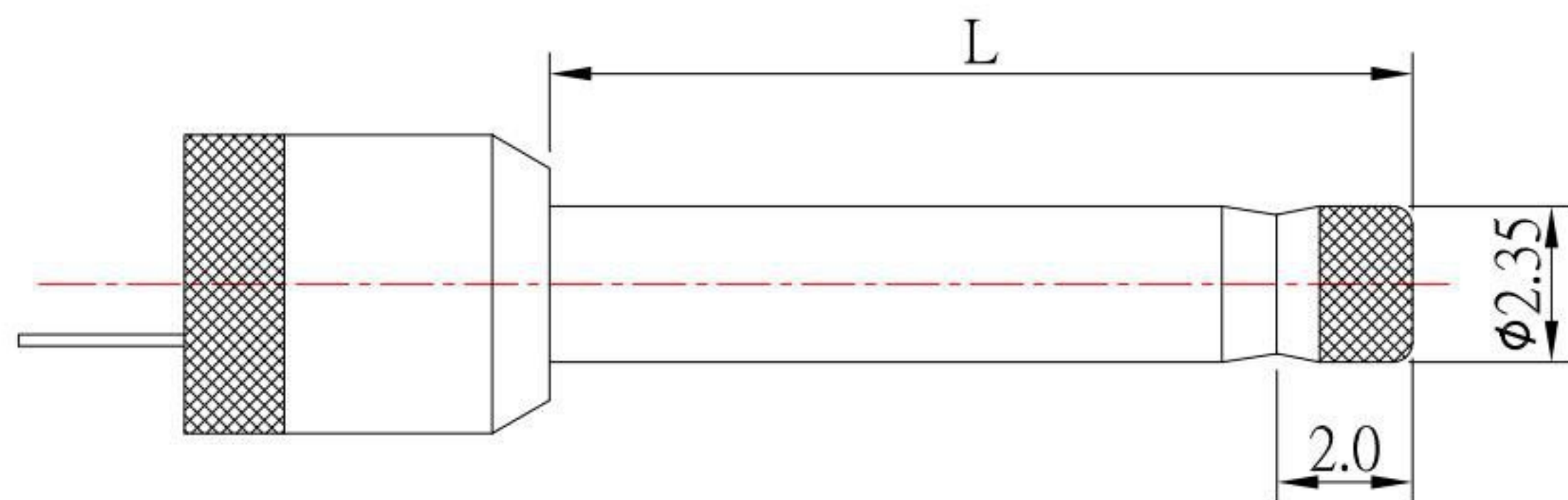
P.C.B LAYOUT
TOP VIEW



SCHMATIC

SPECIFICATION

1. Rating : DC 30V, 1.0A ;
2. Contact resistance : $\leq 30m\Omega$;
3. Insulation resistance : $\geq 100M\Omega$;
4. Withstand voltage : 500VAC ;
5. Insertion and extraction force : 3-15N;
6. life test : 5,000 cycles °



RECOMMENDED PLUG

NO.	DESCRIPTION	QTY	MATERIAL	PLATING
④	PIN	1	BRASS	Ag-Plating
③	SPRING	1	PHOSPHOR BRONZE	Ag-Plating
②	FLAT PIECE	1	BRASS	Ag-Plating
①	HOUSING	1	PA9T	

DRAWN BY:	DATE	MAT'L	TITLE	JACK
Jack Lu	02/27/20			
CHECKED BY:	DATE	FINISH	MODLE	DC JACK
Jacky Chen	02/27/20			
APPROVED BY:	DATE	SCALE	DWG NO.	DC-031H-S124
Tony Kao	02/27/20	1 : 1		
		SHEET NO.	PART NO.	DC-031H-S124
		1 of 1		
				SIZE A4
				VER R2

KSD 科斯达电子科技有限公司
SWITCH CONNECTOR 全球 互联零组件制造企业
KSD ELECTRONIC TECHNOLOGY Co., LTD

TOLERANCE UNLESS OTHERWISE STATED:

Up to 5	±0.2
Above 5 ~ 15	±0.3
Above 15 ~ 30	±0.4
Above 30 ~ 50	±0.5
Angle	±0.3°

3RD. ANGEL'S

UNITS MM

ITEM NO.	DESCRIPTION	DRAWN	DATE
2	更新尺寸	Jack	022720
1	更新尺寸	Jack	042718