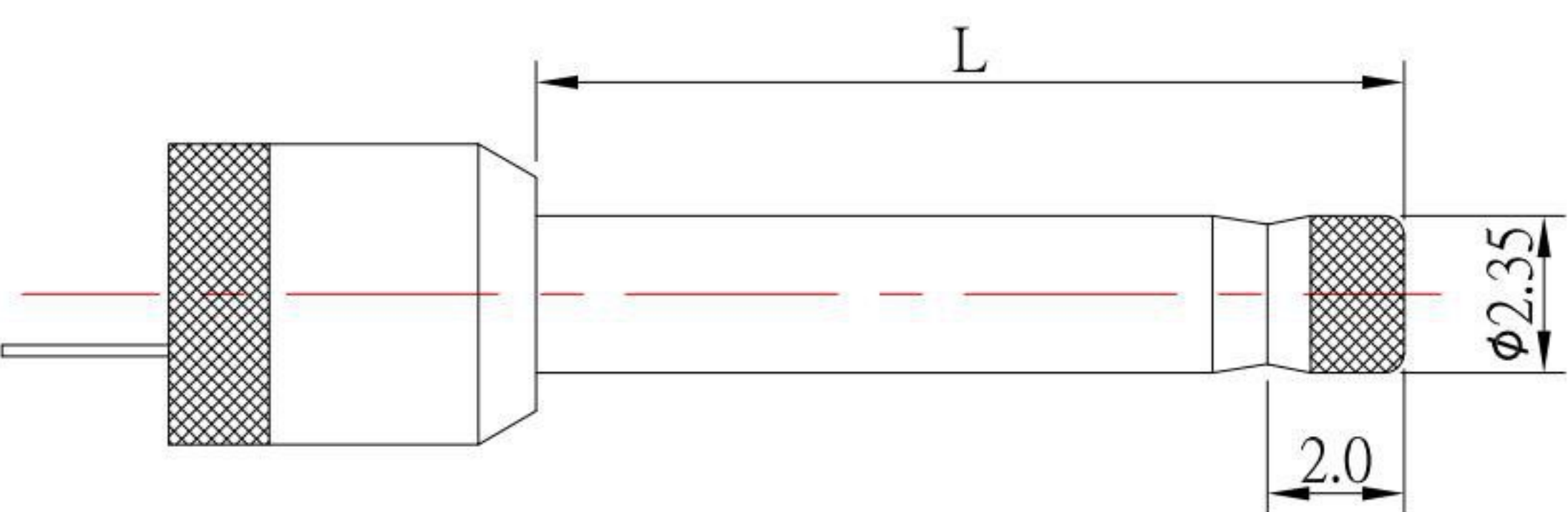
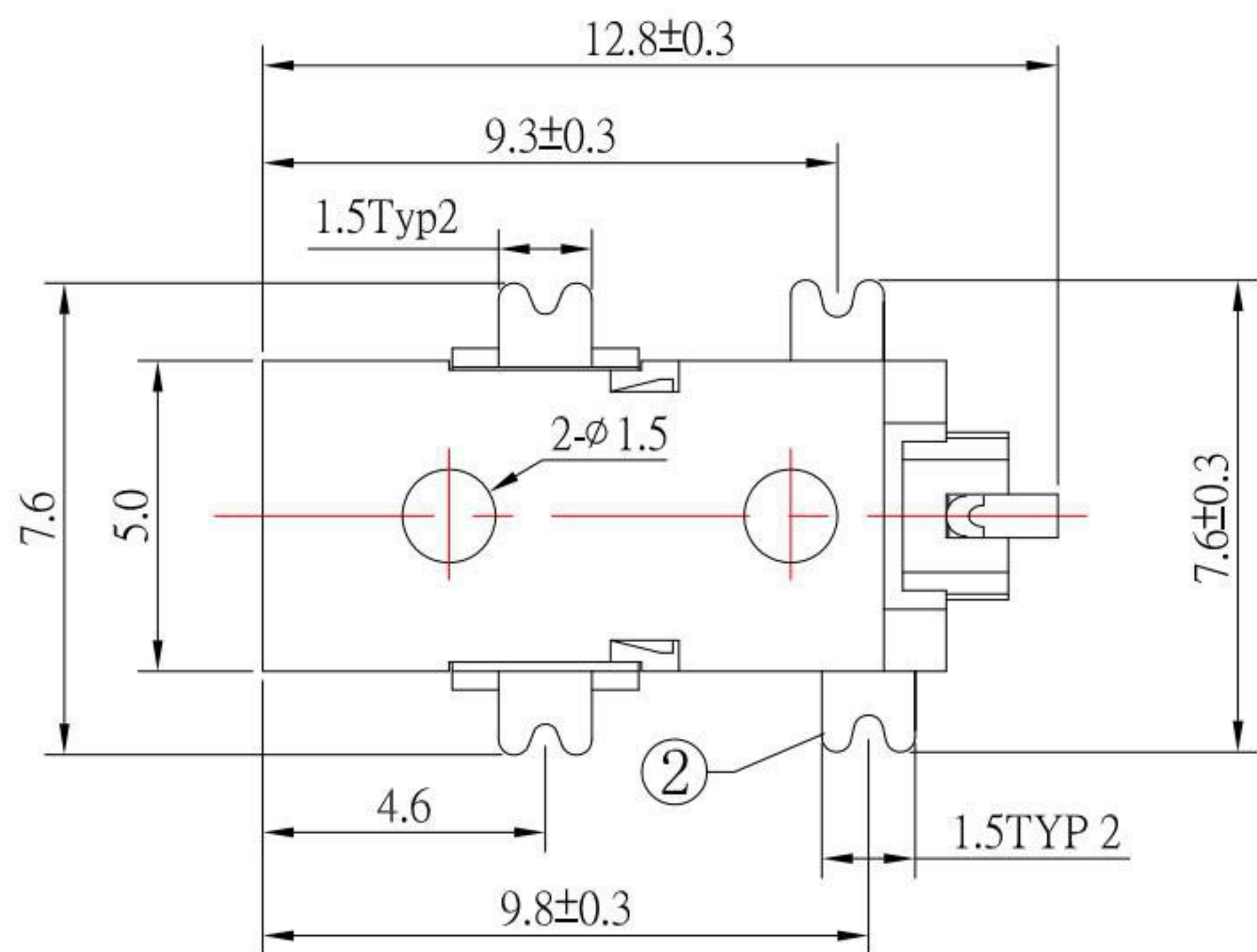
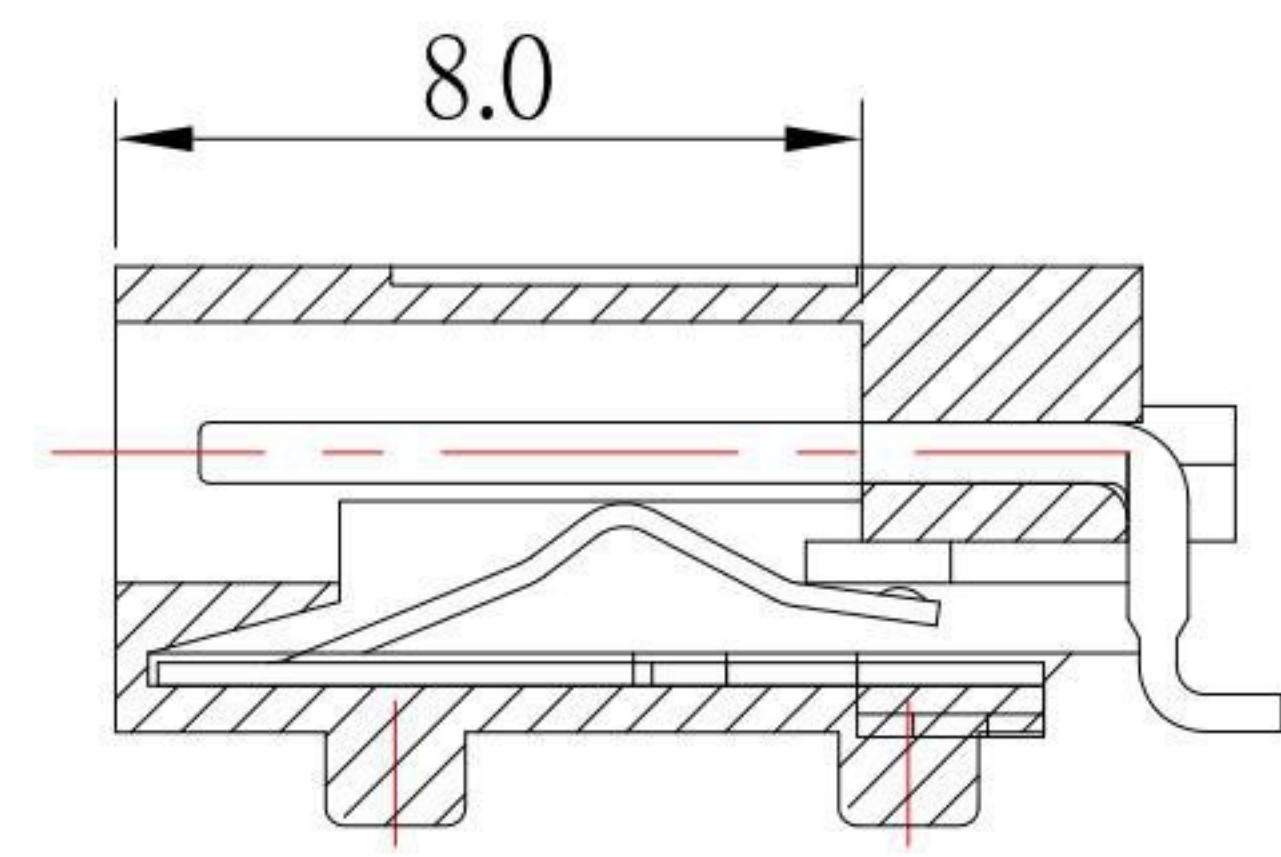
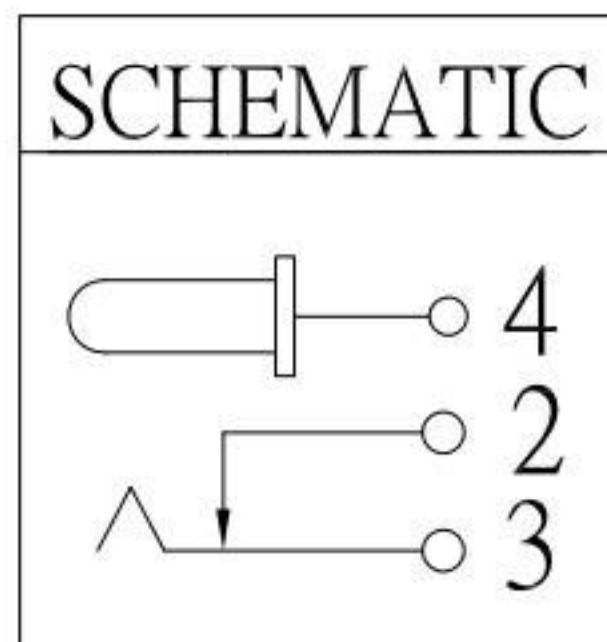


P.C.B LAYOUT
TOP VIEW



RECOMMENDED PLUG



SPECIFICATION

- 1.Rating : DC 30V, 1.0A ;
- 2.Contact resistance : ≤30mΩ ;
- 3.Insulation resistance : ≥100MΩ ;
- 4.Withstand voltage : 500VAC ;
- 5.Insertion and extraction force : 3-15N;
- 6.life test : 5,000 cycles °

NO.	DESCRIPTION	QTY	MATERIAL	PLATING
⑤	CONTACT FOOT	1	BRASS	Ag-Plating
④	PIN	1	BRASS	Ag-Plating
③	SPRING	1	PHOSPHOR BRONZE	Ag-Plating
②	FLAT PIECE	1	BRASS	Ag-Plating
①	HOUSING	1	PA9T	

KSD 科斯达电子科技有限公司
 SWITCH CONNECTOR KSD ELECTRONIC TECHNOLOGY Co., LTD
 全球 互联零组件制造企业

TOLERANCE UNLESS OTHERWISE STATED:	Up to 5 ±0.2	3RD. ANGEL'S	UNITS	MM
	Above 5 ~ 15 ±0.3			
	Above 15 ~ 30 ±0.4			
	Above 30 ~ 50 ±0.5			
	Angle ±0.3°			

DRAWN BY:	DATE	MAT'L	TITLE	JACK
Jack Lu	02/27/20		MODLE	DC JACK
CHECKED BY:	DATE	FINISH	DWG NO.	DC-032-0.65-S124
Jacky Chen	02/27/20		PART NO.	DC-032-0.65-S124
APPROVED BY:	DATE	SCALE	SHEET NO.	1 of 1
Tony Kao	02/27/20	1:1		

ITEM NO.	DESCRIPTION	DRAWN	DATE
2	更新尺寸	Jack	022720
1	新增 pcb layout尺寸	Jack	111519