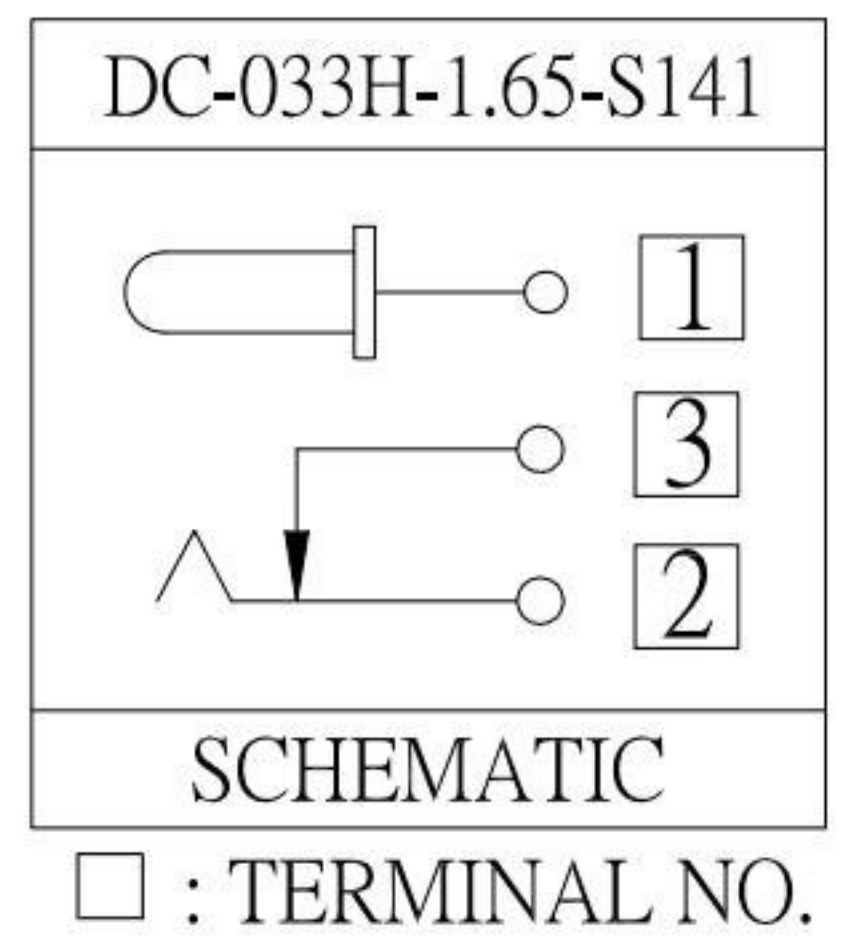
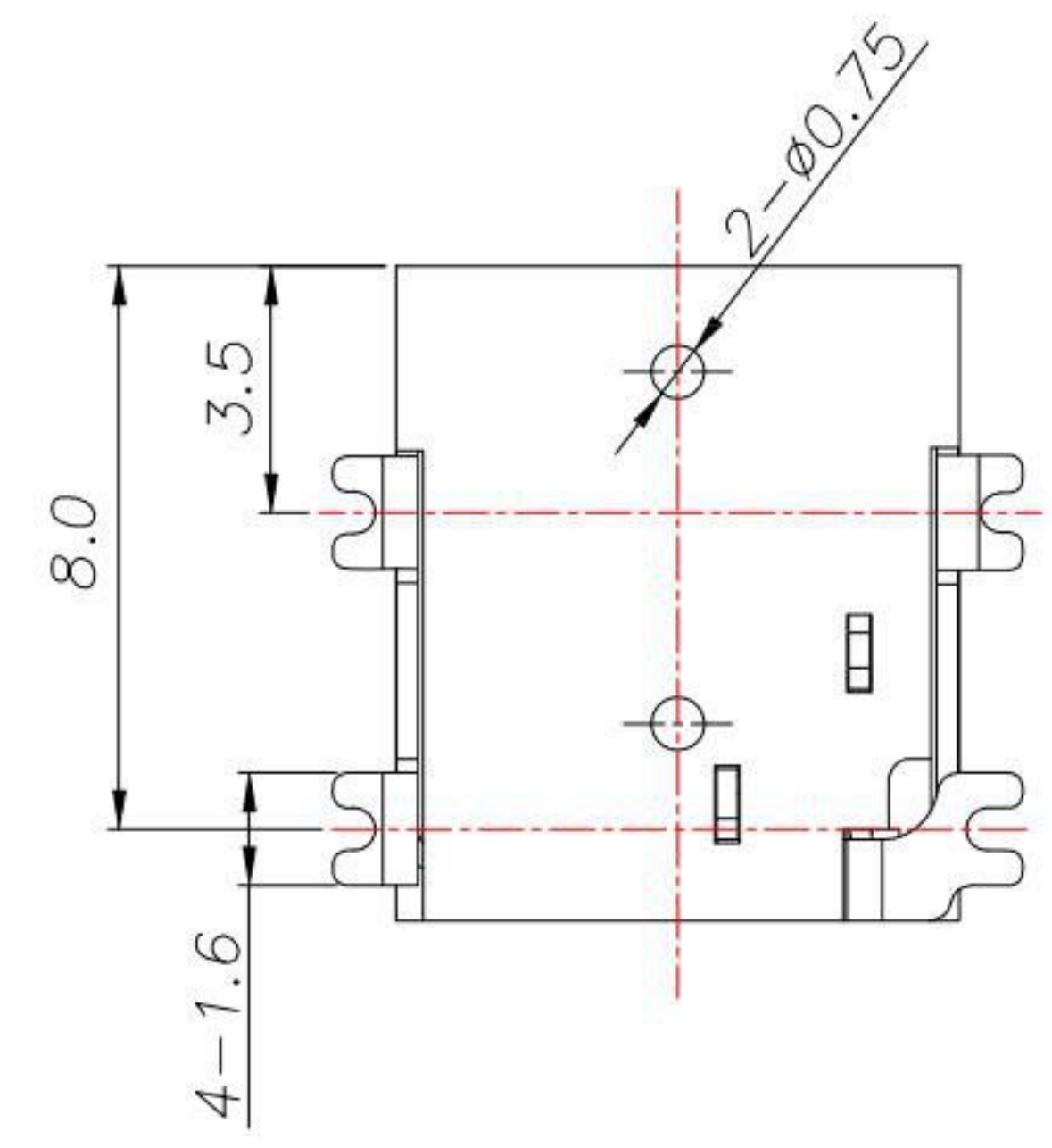
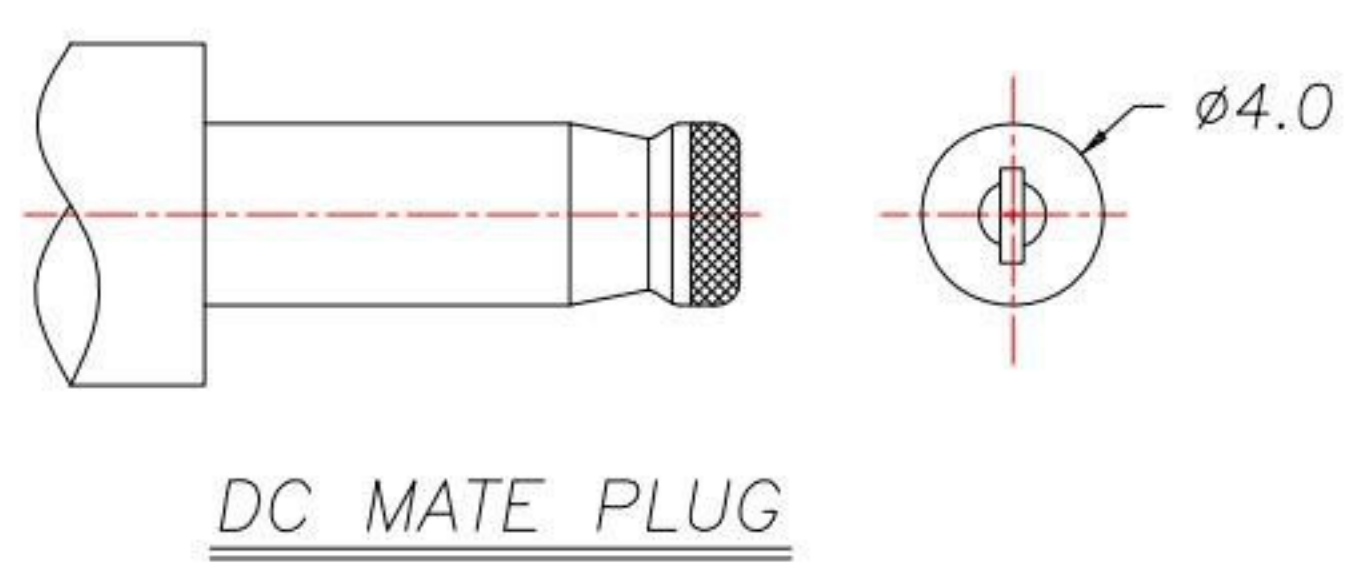


P.C.B Layout (Copper-sided view)

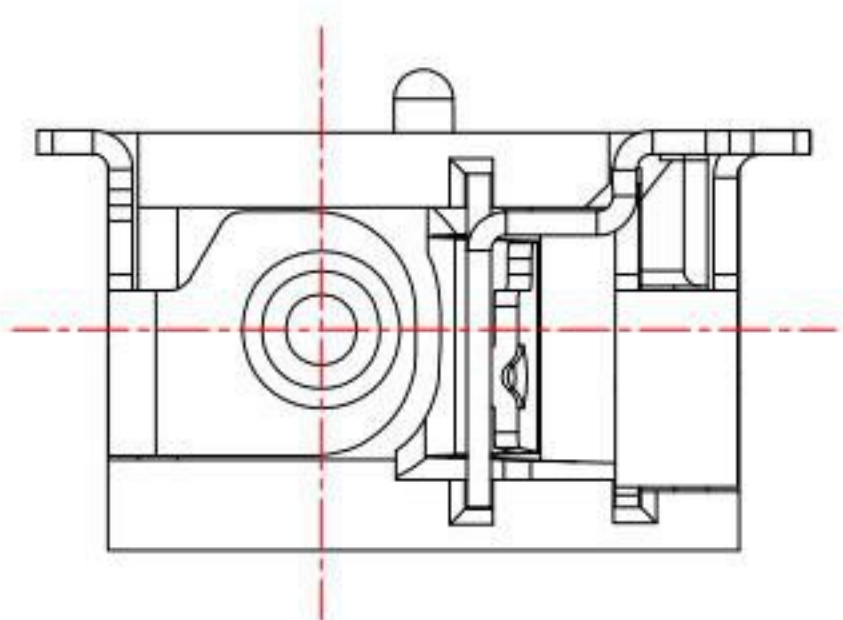


SPECIFICATION

- 1. Rating : DC 18V, 5.0A
- 2. Contact resistance : $\leq 30m\Omega$
- 3. Insulation resistance : $\geq 100M\Omega$
- 4. Withstand voltage : 500VAC
- 5. Insertion and extraction force : 3-30N
- 6. life test : 5,000 cycles



DC MATE PLUG



NO.	DESCRIPTION	QTY	MATERIAL	REMARK
⑤	Shunt terminal	1	Brass	Silver plating
④	Tip spring	1	Phosphor bronze	Silver plating
③	Center pin terminal	1	Brass	Silver plating
②	Center pin	1	Brass	CuSn/Ni plating
①	Housing	1	PA9T	

KSD 科斯达电子科技有限公司
 SWITCH CONNECTOR KSD ELECTRONIC TECHNOLOGY Co., LTD
 全球 互联零组件制造企业

TOLERANCE UNLESS OTHERWISE STATED:	Up to 5 ±0.2	3RD. ANGEL'S	UNITS	MM
	Above 5 ~ 15 ±0.3			
	Above 15 ~ 30 ±0.4			
	Above 30 ~ 50 ±0.5			
	Angle ±0.3°			

DRAWN BY:	DATE	MAT'L	TITLE	JACK
Jack Lu	10/07/15			
CHECKED BY:	DATE	FINISH	MODLE	DC JACK
Jacky Chen	10/07/15			
APPROVED BY:	DATE	SCALE	DWG NO.	DC-033H-1.65-S141
Tony Kao	10/07/15	1:1		
		SHEET NO.	PART NO.	DC-033H-1.65-S141
		1 of 1		

ITEM NO.	DESCRIPTION	DRAWN	DATE