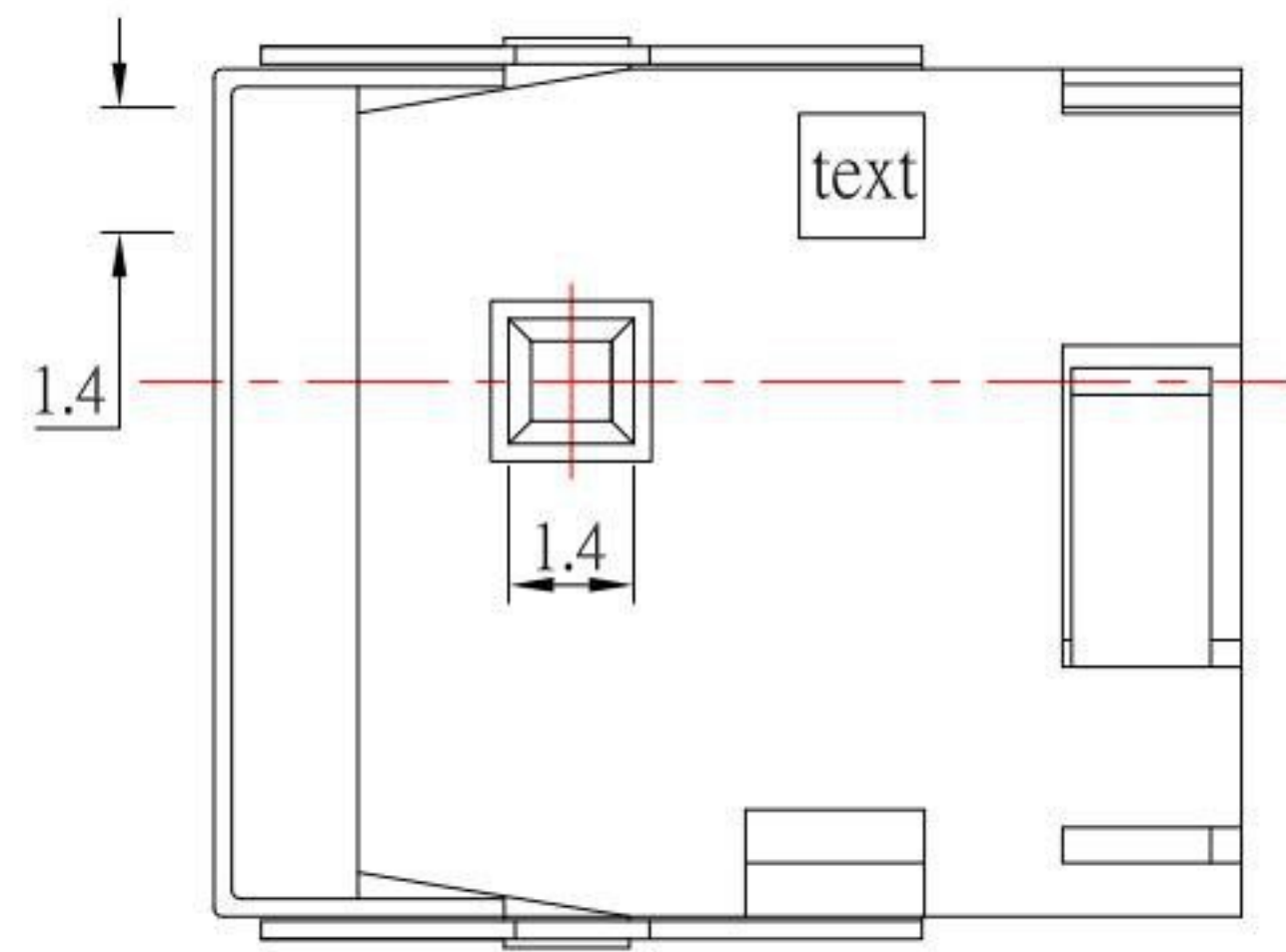
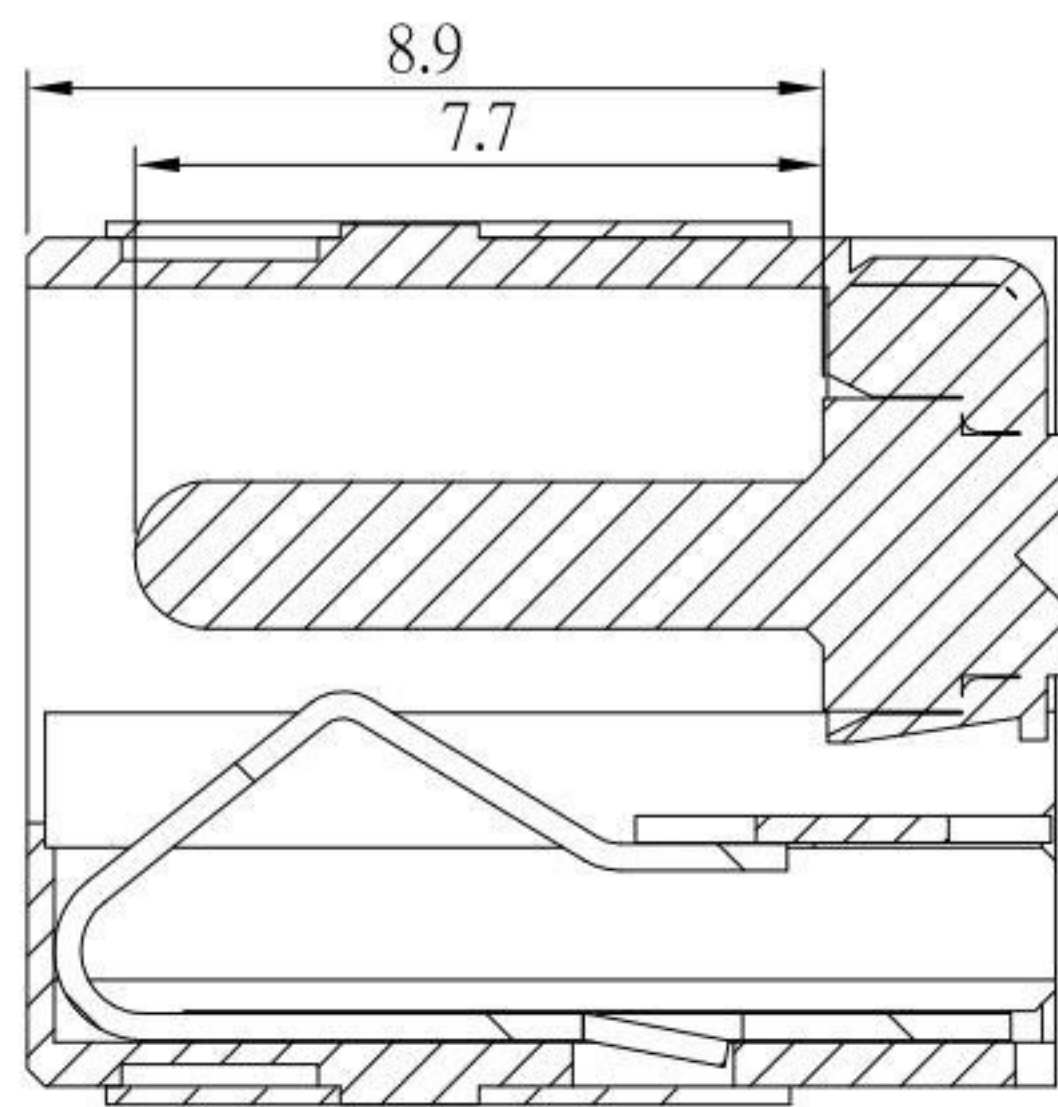


P.C.B LAYOUT  
TOP VIEW

SPECIFICATION

1. Rating : DC 20V 5.0A
2. Contact resistance :  $\leq 30m\Omega$
3. Insulation resistance :  $\geq 100M\Omega$
4. Withstand voltage : 500VAC
5. Insertion and extraction force : 3-30N
6. life test : 5,000 cycles

|           |                |
|-----------|----------------|
| MODEL NO. | DC-048HS5-1.65 |
| SCHEMATIC |                |



| NO. | DESCRIPTION  | QTY | MATERIAL        | PLATING     |
|-----|--------------|-----|-----------------|-------------|
| 7   | COVER        | 1   | SUS             | Ni-Plating  |
| 6   | CONTACT FOOT | 1   | BRASS           | Tin-Plating |
| 5   | PIN          | 1   | BRASS           | Ni-Plating  |
| 4   | CONTACT FOOT | 1   | BRASS           | Ag-Plating  |
| 3   | CURVE PIECE  | 1   | BRASS           | Ag-Plating  |
| 2   | SPRING PIECE | 1   | PHOSPHOR BRONZE | Ag-Plating  |
| 1   | HOUSING      | 1   | PA9T            | Black       |

|          |             |       |        |
|----------|-------------|-------|--------|
| 10       | 更新樣式        | Ian   | 041719 |
| 9        | 新增尺寸        | Jack  | 100418 |
| 8        | 更新料號        | Jack  | 050318 |
| 7        | 更新材質及鍍層     | Jack  | 080417 |
| 6        | 更新life test | Jack  | 072817 |
| 5        | 更新圖面樣式      | Jack  | 051017 |
| 4        | 新增PLUG圖示    | Jack  | 011017 |
| 3        | 更新腳位編號      | Jack  | 010617 |
| 2        | 更新為A0版      | Jack  | 060816 |
| 1        | 更新Rating    | Jack  | 121515 |
| ITEM NO. | DESCRIPTION | DRAWN | DATE   |

**KSD** 科斯达电子科技有限公司  
 SWITCH CONNECTOR KSD ELECTRONIC TECHNOLOGY Co., LTD  
 全球 互聯零組件 制造企业

TOLERANCE UNLESS OTHERWISE STATED:  
 Up to 5  $\pm 0.2$   
 Above 5 ~ 15  $\pm 0.3$   
 Above 15 ~ 30  $\pm 0.4$   
 Above 30 ~ 50  $\pm 0.5$   
 Angle  $\pm 0.3^\circ$

3RD. ANGEL'S

UNITS MM

|              |          |        |           |                      |
|--------------|----------|--------|-----------|----------------------|
| DRAWN BY:    | DATE     | MAT'L  | TITLE     | JACK                 |
| Jack Lu      | 06/18/21 |        | MODLE     | DC JACK 高電流 / 帶彈片帶外殼 |
| CHECKED BY:  | DATE     | FINISH | DWG NO.   | DC-048HS5-1.65-S214  |
| Jacky Chen   | 06/18/21 |        | SHEET NO. | 1 of 1               |
| APPROVED BY: | DATE     | SCALE  | PART NO.  | DC-048HS5-1.65-S214  |
| Tony Kao     | 06/18/21 | 1:1    | SIZE      | A4                   |
|              |          |        | VER       | R13                  |