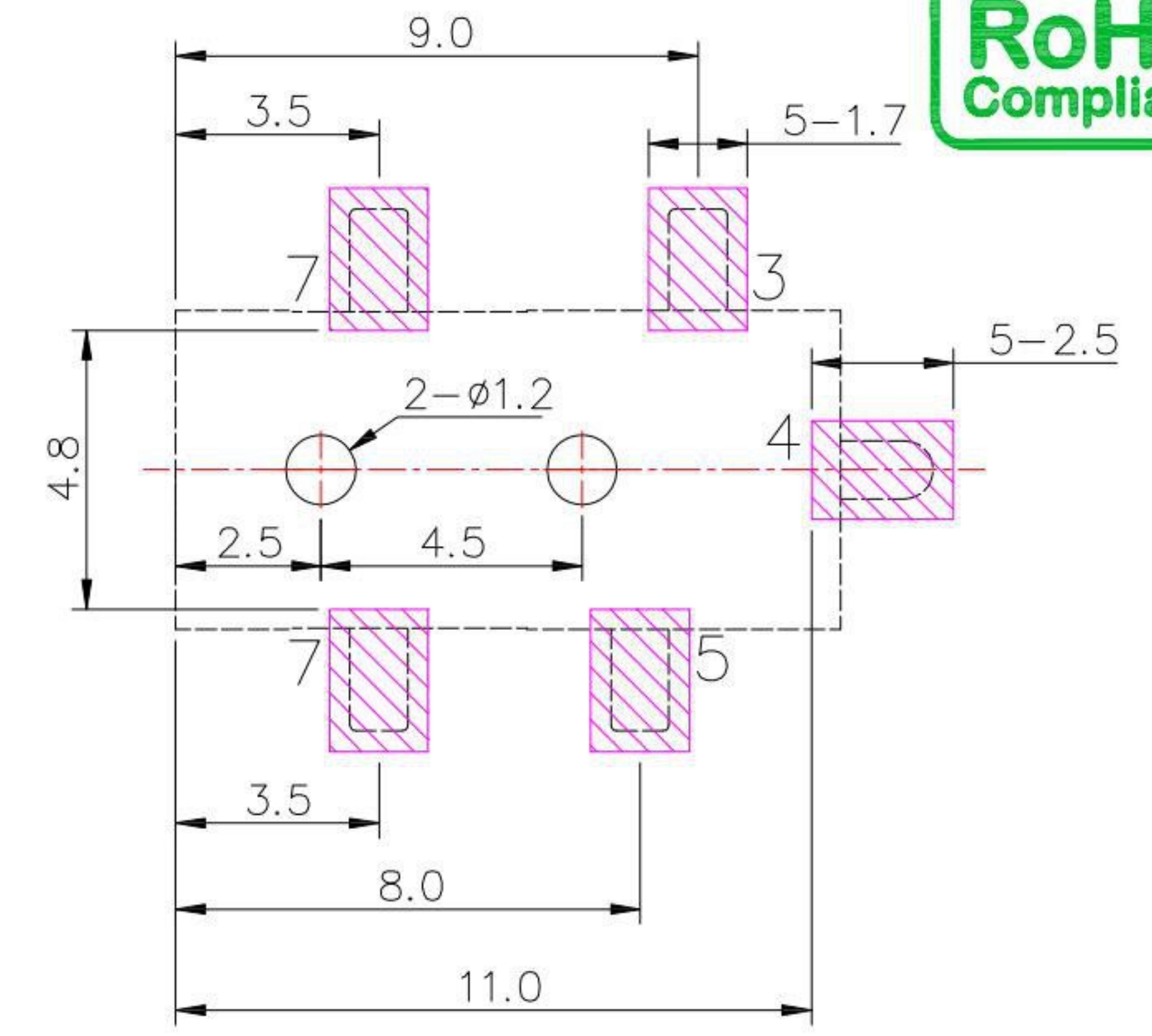
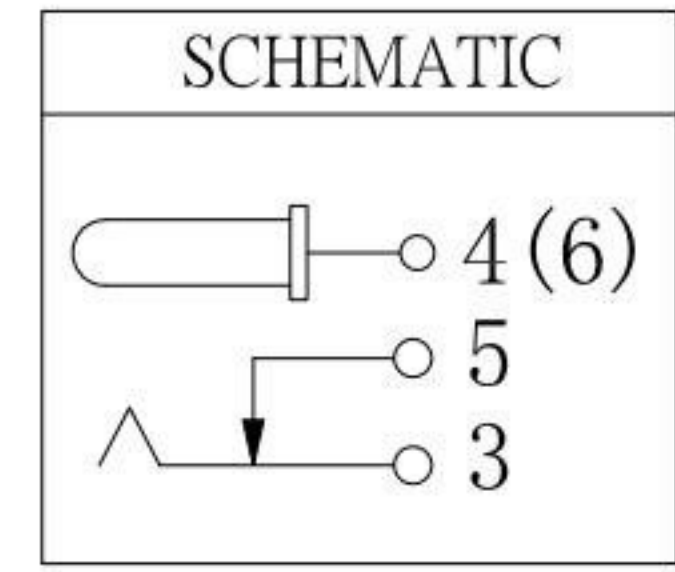
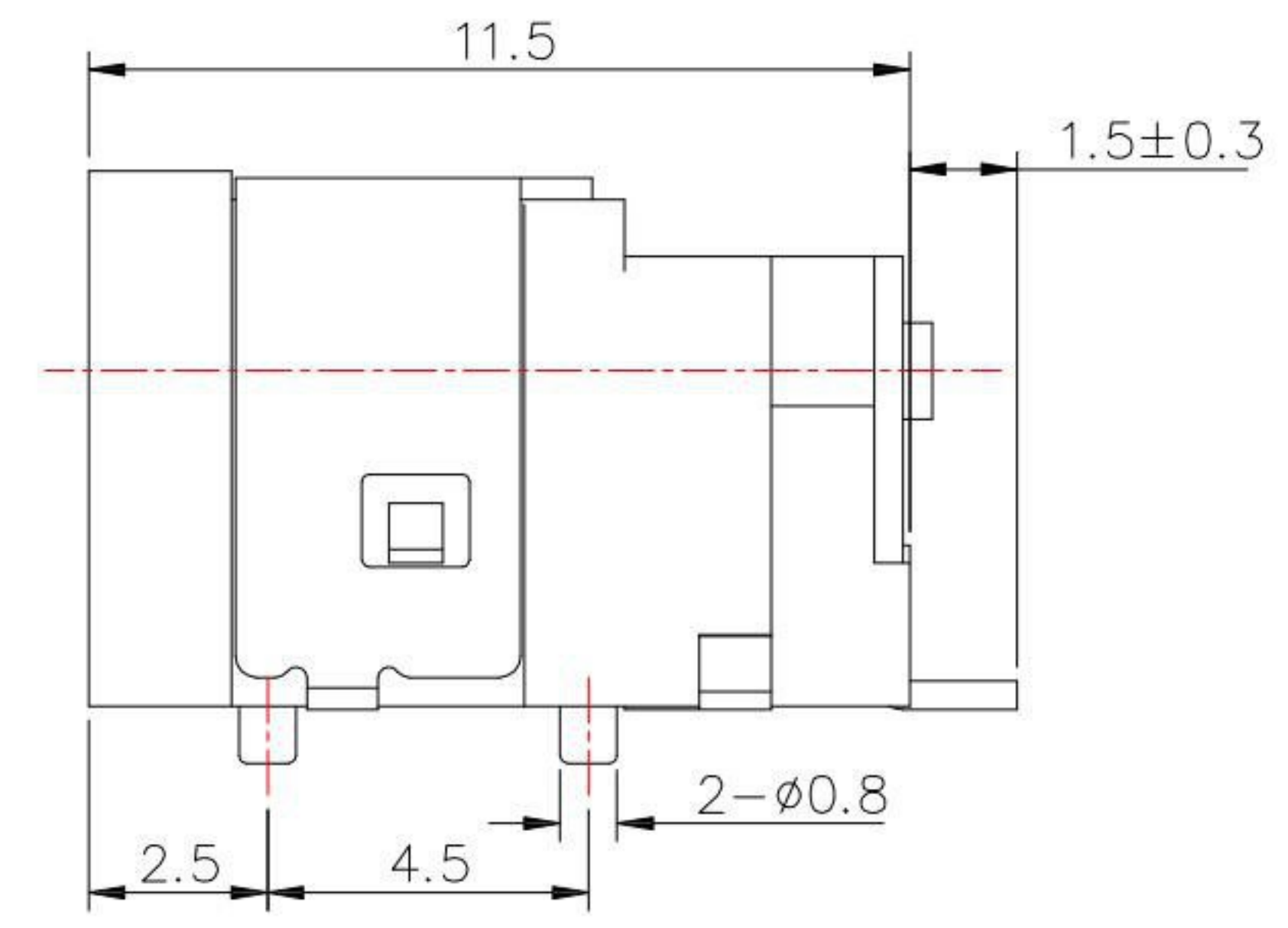
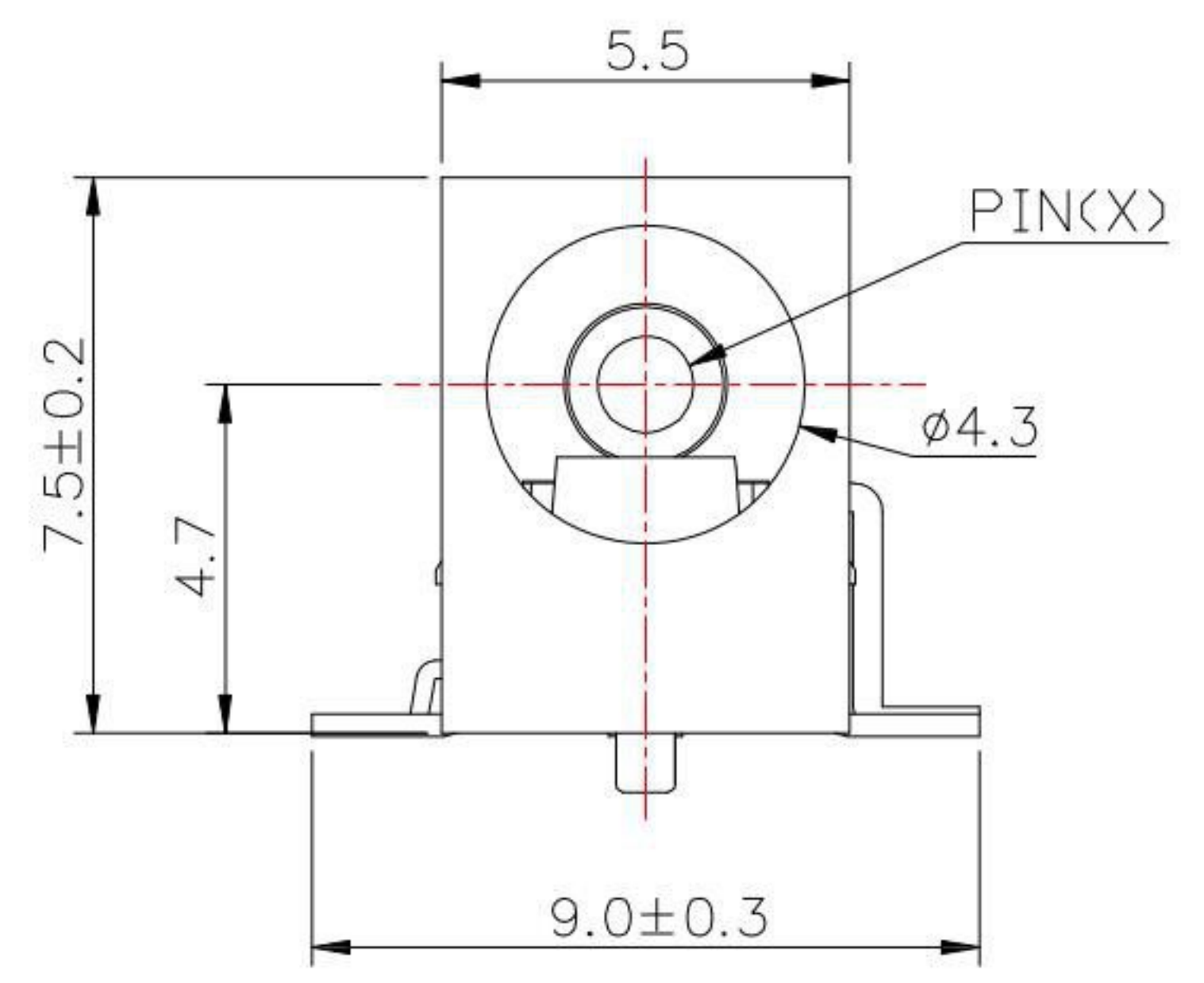


RECOMMENDED PLUG



RECOMENDED P.C.B LAYOUT TOP VIEW



SPECIFICATION

1. Rating : DC 30V, 1.5A
2. Contact resistance : ≤ 30mΩ
3. Insulation resistance : ≥ 100MΩ
4. Withstand voltage : 500VAC
5. Insertion and extraction force : 3-20N
6. life test : 5,000 cycles

Model NO.	DC-050DS-1.0	DC-050DS-1.3
PIN(X)	φ1.0	φ1.3

NO.	DESCRIPTION	QTY	MATERIAL	REMARK
⑦	Coat	1	Brass	Ag Plating
⑥	Pin	1	Brass	Ni Plating
⑤	Curve Piece	1	Brass	Ag Plating
④	Flat Piece	1	Brass	Ag Plating
③	Spring Piece	1	Phosphor Bronze	Ag Plating
②	Cover	1	PA9T	
①	Housing	1	PA9T	

KSD 科斯达电子科技有限公司
 SWITCH CONNECTOR KSD ELECTRONIC TECHNOLOGY Co., LTD
 全球 互聯零組件製造企業

TOLERANCE UNLESS OTHERWISE STATED:	Up to 5 ±0.2	Above 5 ~ 15 ±0.3	Above 15 ~ 30 ±0.4	Above 30 ~ 50 ±0.5	Angle ±0.3°	3RD. ANGEL'S	UNITS	MM
------------------------------------	--------------	-------------------	--------------------	--------------------	-------------	--------------	-------	----

DRAWN BY:	DATE	MAT'L	TITLE	JACK
Jack Lu	11/23/20			
CHECKED BY:	DATE	FINISH	MODLE	DC JACK
Jacky Chen	11/23/20			
APPROVED BY:	DATE	SCALE	DWG NO.	DC-050DS-x-S124
Tony Kao	11/23/20	1:1		
		SHEET NO.	PART NO.	DC-050DS-x-S124
		1 of 1		

ITEM NO.	DESCRIPTION	DRAWN	DATE