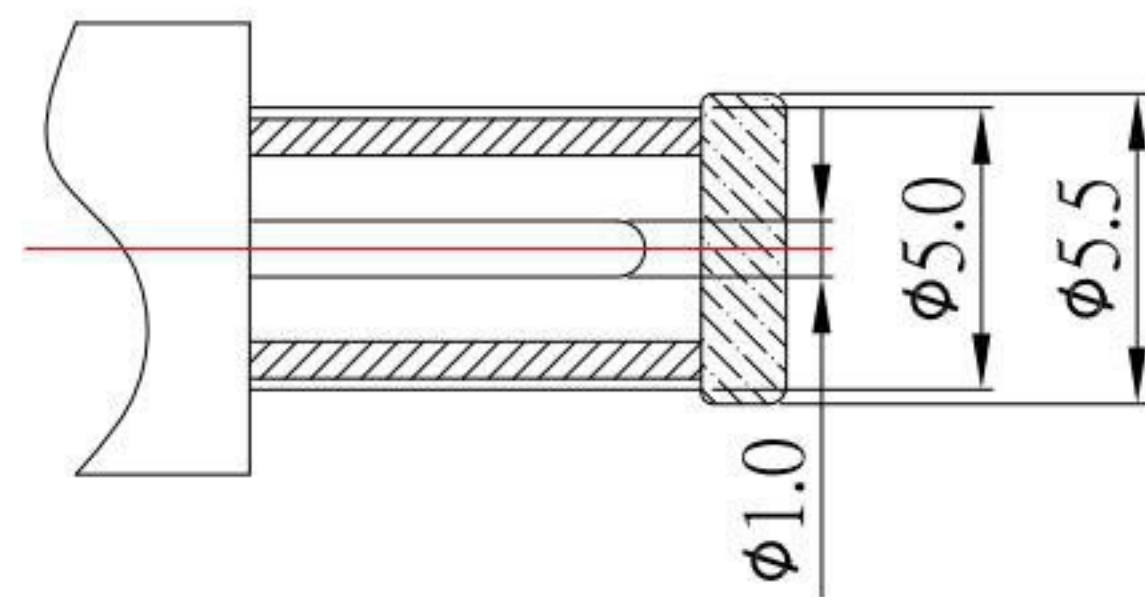
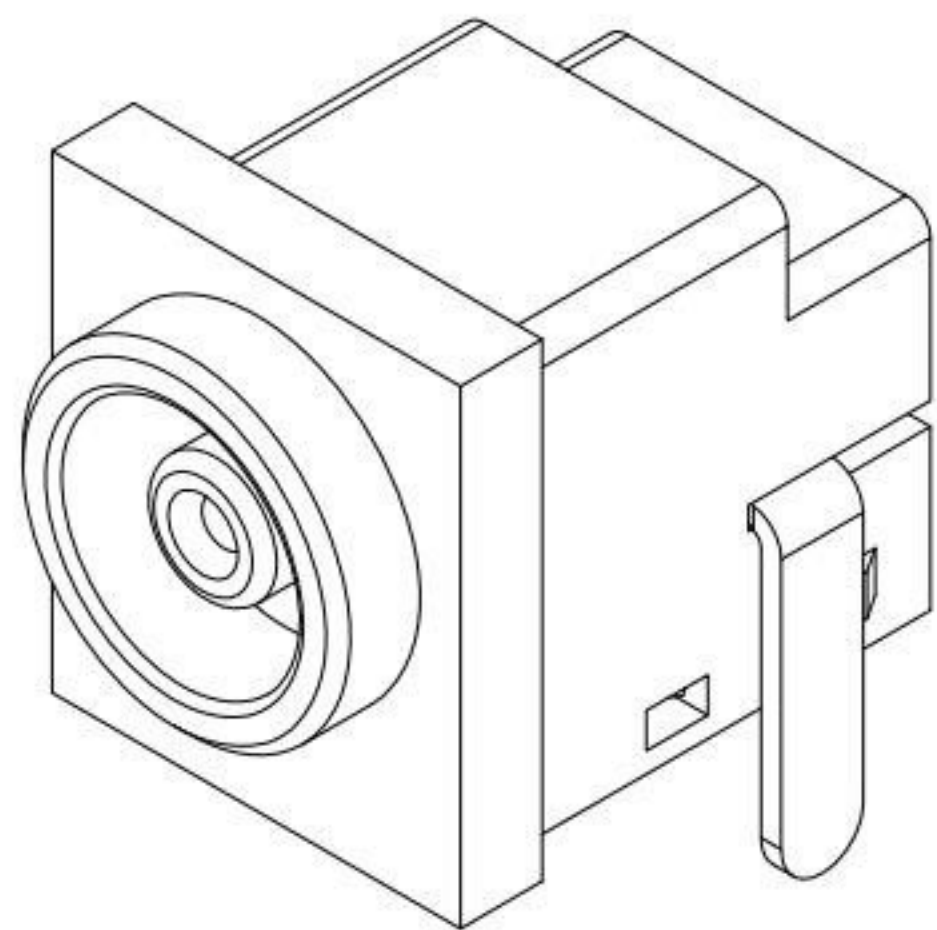


P.C.B LAYOUT  
BOTTOM VIEW



DC MATE PLUG

SPECIFICATION

1. Rating : DC 24V, 3.0A
2. Contact resistance :  $\leq 50m\Omega$
3. Insulation resistance :  $\geq 100M\Omega$
4. Withstand voltage : 500VAC
5. Insertion and extraction force : 3-30N
6. life test : 5,000 cycles

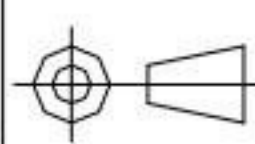
MODEL NO.	DC-058-2-1.0
SCHEMATIC	

NO.	DESCRIPTION	QTY	MATERIAL	PLATING
4	PIN	1	BRASS	Tin-Plating
3	CONTACT	1	BRASS	Tin-Plating
2	CONTACT	1	COPPER ALLOY	Tin-Plating
1	HOUSING	1	PBT	Black

**KSD** 科斯达电子科技有限公司  
SWITCH CONNECTOR KSD ELECTRONIC TECHNOLOGY Co., LTD  
全球 互联零组件制造企业

TOLERANCE UNLESS OTHERWISE STATED:  
 Up to 5 ±0.2  
 Above 5 ~ 15 ±0.3  
 Above 15 ~ 30 ±0.4  
 Above 30 ~ 50 ±0.5  
 Angle ±0.3°

3RD. ANGEL'S



UNITS

MM

DRAWN BY: Jack Lu  
 CHECKED BY: Jacky Chen  
 APPROVED BY: Tony Kao  
 DATE: 08/14/18

MAT'L	TITLE	JACK
FINISH	MODLE	DC JACK HOUSING:PBT
SCALE	DWG NO.	DC-058-2-1.0-S214
SHEET NO.	PART NO.	DC-058-2-1.0-S214

1

更新MODLE

Jack

081418

ITEM NO.

DESCRIPTION

DRAWN

DATE

SIZE A4  
VER R1