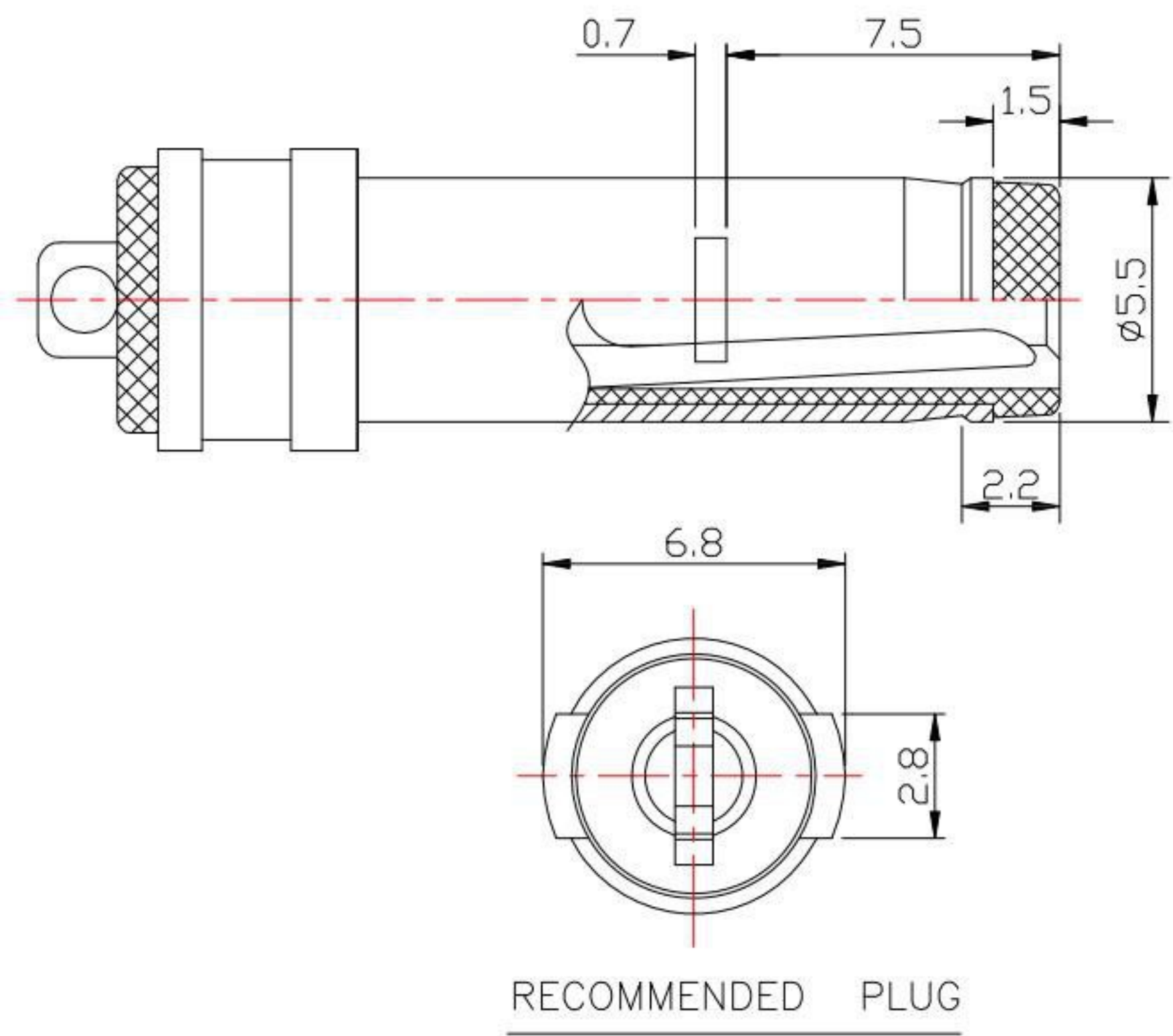
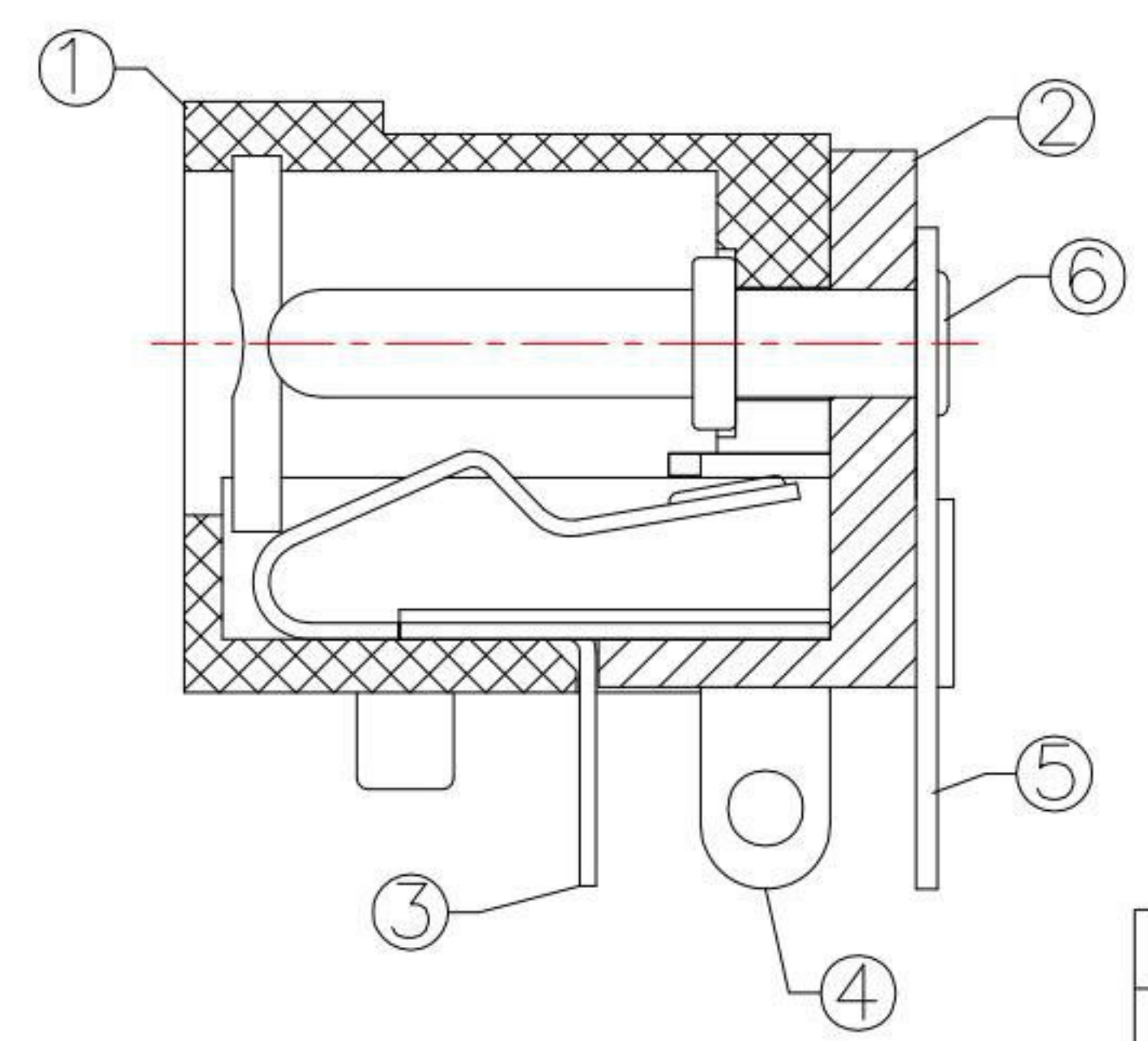


P.C.B LAYOUT
TOP VIEW



RECOMMENDED PLUG



MODEL NO.	DC-062-4-x
SCHEMATIC	
CENTER PIN	φ2.0mm φ2.5mm

SPECIFICATION

- 1.Rating : DC 30V , 3.0A
- 2.Contact resistance : ≤30mΩ
- 3.Insulation resistance : ≥100MΩ
- 4.Withstand voltage : 500VAC
- 5.Insertion and extraction force : 3-30N
- 6.life test : 5,000 cycles

NO.	DESCRIPTION	QTY	MATERIAL	PLATING
⑥	PIN	1	BRASS	Ni-Plating
⑤	FLAT FOOT	1	BRASS	Sn-Plating
④	CURVE PIECE	1	BRASS	Sn-Plating
③	SPRING PIECE	1	PHOSPHOR BRONZE	Sn-Plating
②	COVER	1	PBT	
①	HOUSING	1	PBT	

KSD 科斯达电子科技有限公司
SWITCH CONNECTOR KSD ELECTRONIC TECHNOLOGY Co., LTD
全球 互联零组件制造企业

TOLERANCE UNLESS OTHERWISE STATED:
 Up to 5 ±0.2
 Above 5 ~ 15 ±0.3
 Above 15 ~ 30 ±0.4
 Above 30 ~ 50 ±0.5
 Angle ±0.3°

3RD. ANGEL'S

UNITS MM

DRAWN BY:	DATE	MAT'L	TITLE	JACK
Jack Lu	06/01/21		MODLE	DC JACK 帶鎖
CHECKED BY:	DATE	FINISH	DWG NO.	DC-062-4-x-S124
Jacky Chen	06/01/21		PART NO.	DC-062-4-x-S124
APPROVED BY:	DATE	SCALE	SHEET NO.	1 of 1
Tony Kao	06/01/21	1:1		

ITEM NO.	DESCRIPTION	DRAWN	DATE