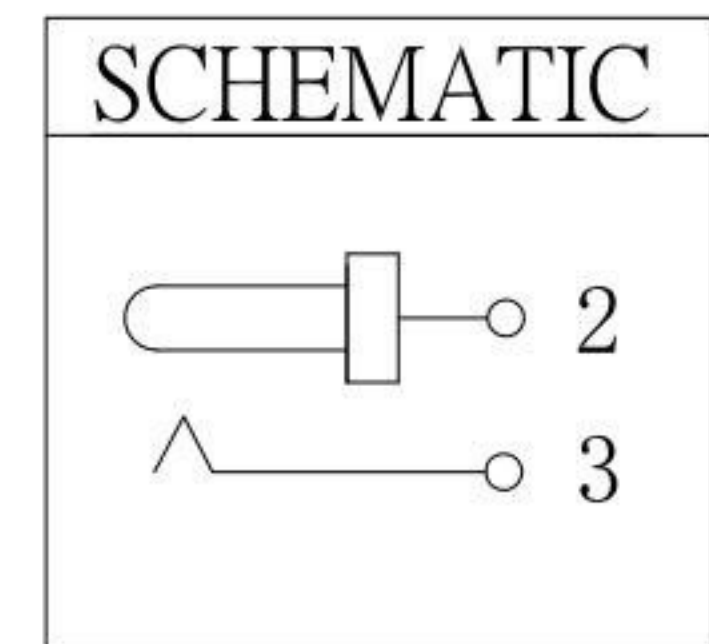
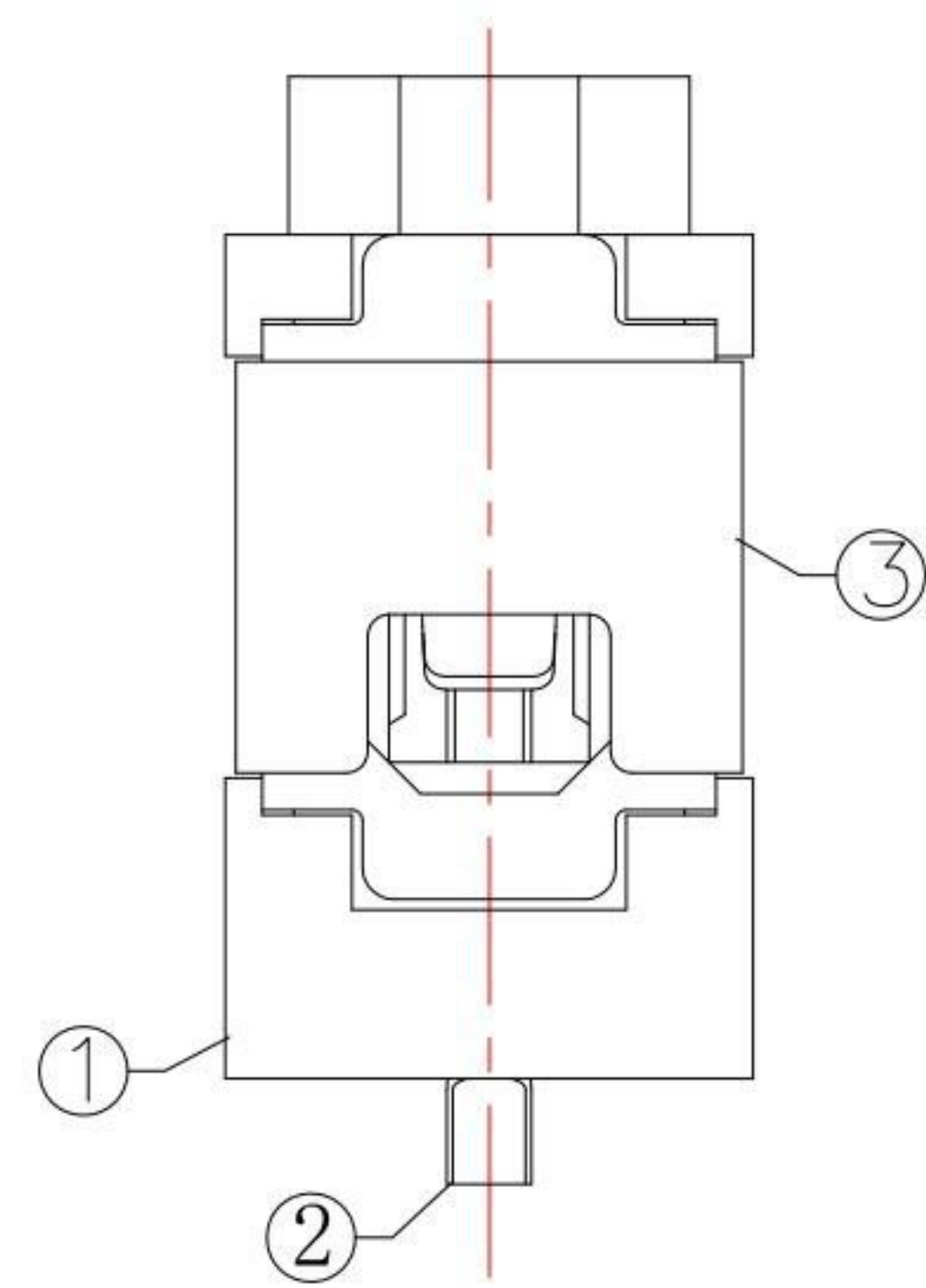
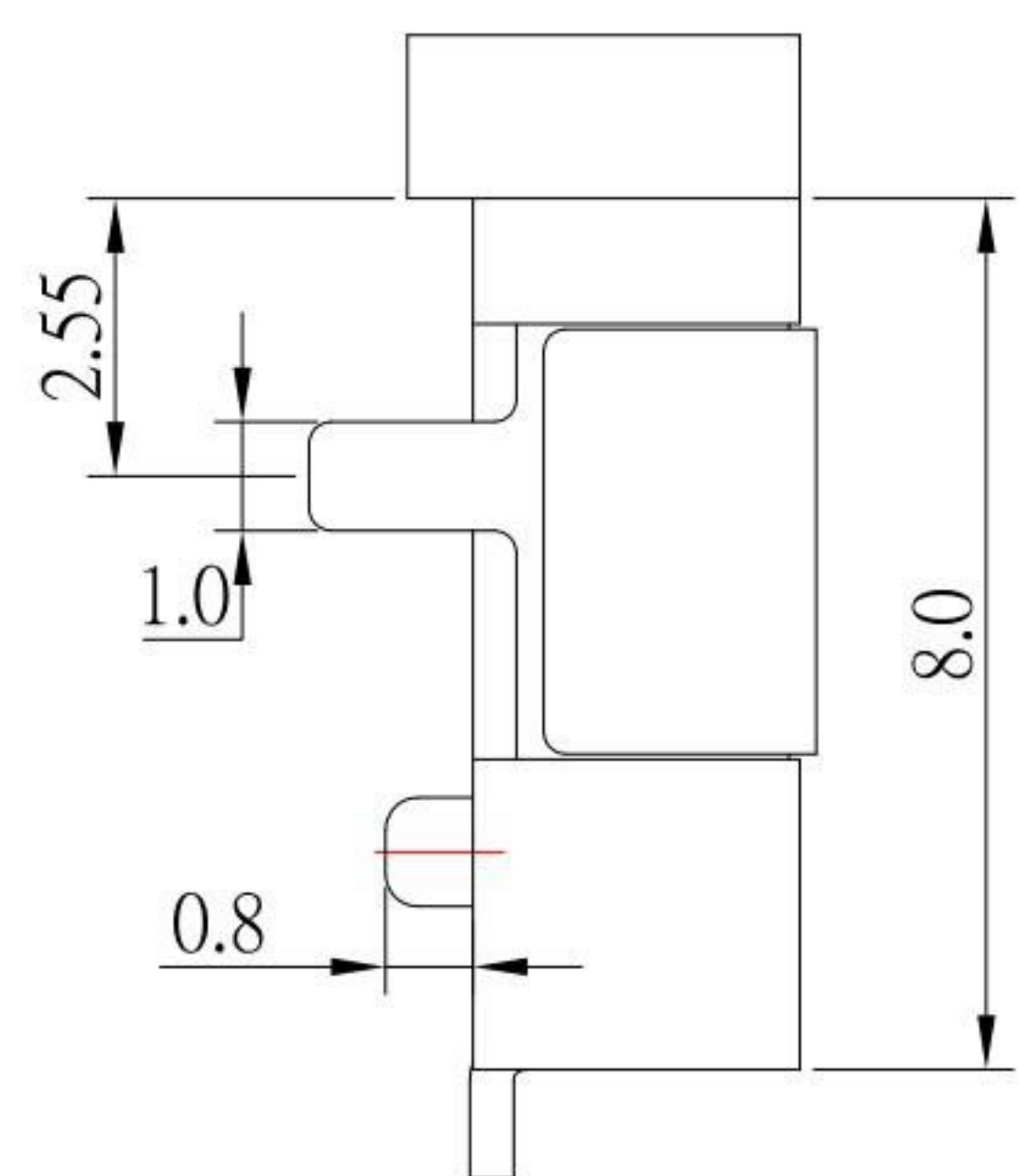
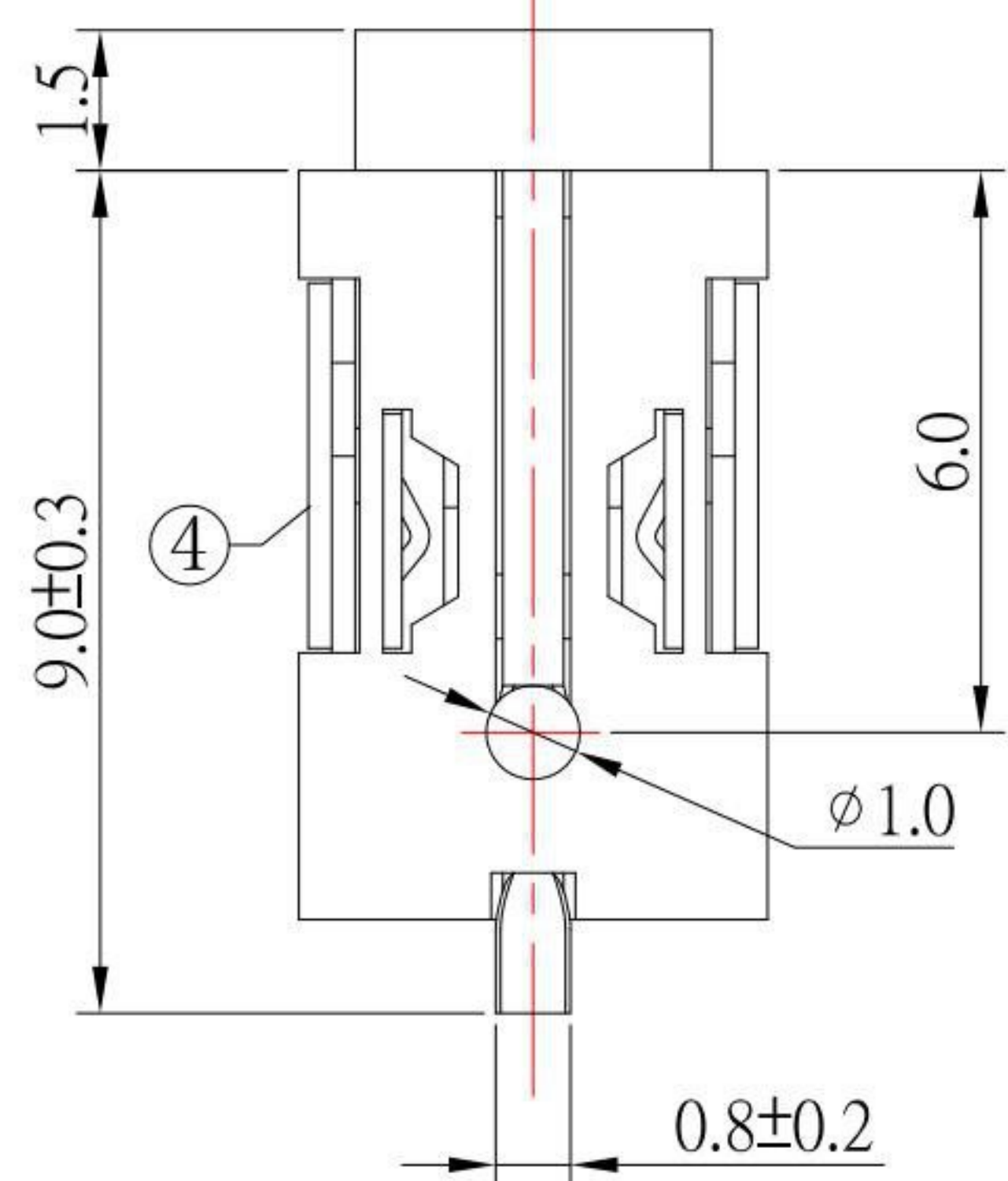
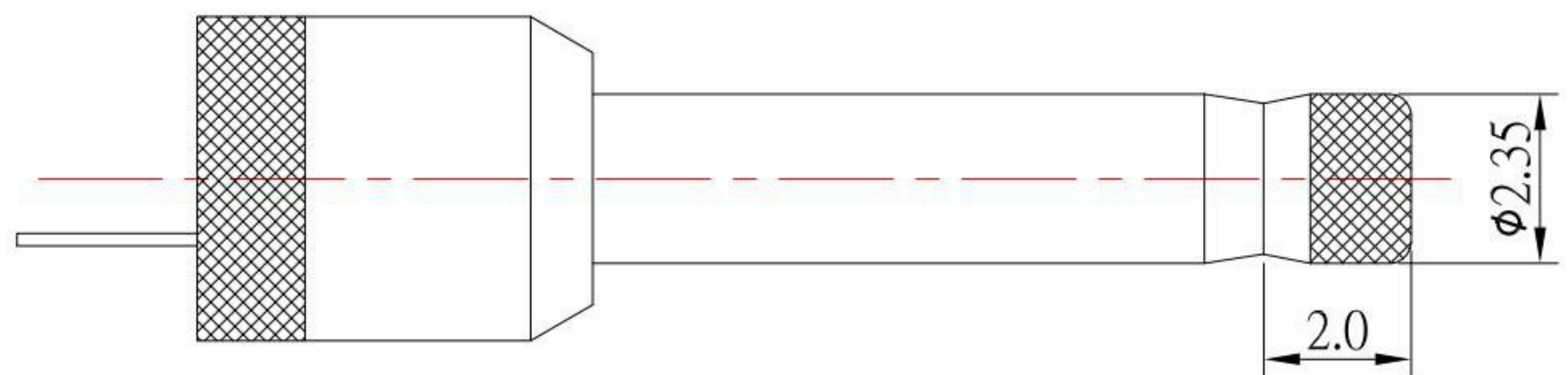


P.C.B LAYOUT  
TOP VIEW



- SPECIFICATION**
- 1. Rating : DC 30V, 1.0A ;
  - 2. Contact resistance :  $\leq 30m\Omega$  ;
  - 3. Insulation resistance :  $\geq 100M\Omega$  ;
  - 4. Withstand voltage : 500VAC ;
  - 5. Insertion and extraction force : 2-20N;
  - 6. life test : 5,000 cycles °



RECOMMENDED PLUG

NO.	DESCRIPTION	QTY	MATERIAL	PLATING
4	SPRING	1	PHOSPHOR BRONZE	Ag-Plating
3	SPRING	1	PHOSPHOR BRONZE	Ag-Plating
2	PIN	1	BRASS	Ag-Plating
1	HOUSING	1	PA9T	

**KSD** 科斯达电子科技有限公司  
SWITCH CONNECTOR KSD ELECTRONIC TECHNOLOGY Co., LTD  
全球 互联零组件制造企业

TOLERANCE UNLESS OTHERWISE STATED :  
Up to 5 ±0.2  
Above 5 ~ 15 ±0.3  
Above 15 ~ 30 ±0.4  
Above 30 ~ 50 ±0.5  
Angle ±0.3

3RD. ANGEL'S

UNITS MM

DRAWN BY:	DATE	MAT'L	TITLE	JACK
Jack Lu	04/14/23		MODLE	DC JACK
CHECKED BY:	DATE	FINISH	DWG NO.	DC-064D-6-S124
Jacky Chen	04/14/23		PART NO.	DC-064D-6-S124
APPROVED BY:	DATE	SCALE	1 : 1	
Tony Kao	04/14/23	SHEET NO.	1 of 1	

ITEM NO.	DESCRIPTION	DRAWN	DATE
2	新增尺寸	Jack	041423
1	更新尺寸	Jack	070821

SIZE A4  
VER R2