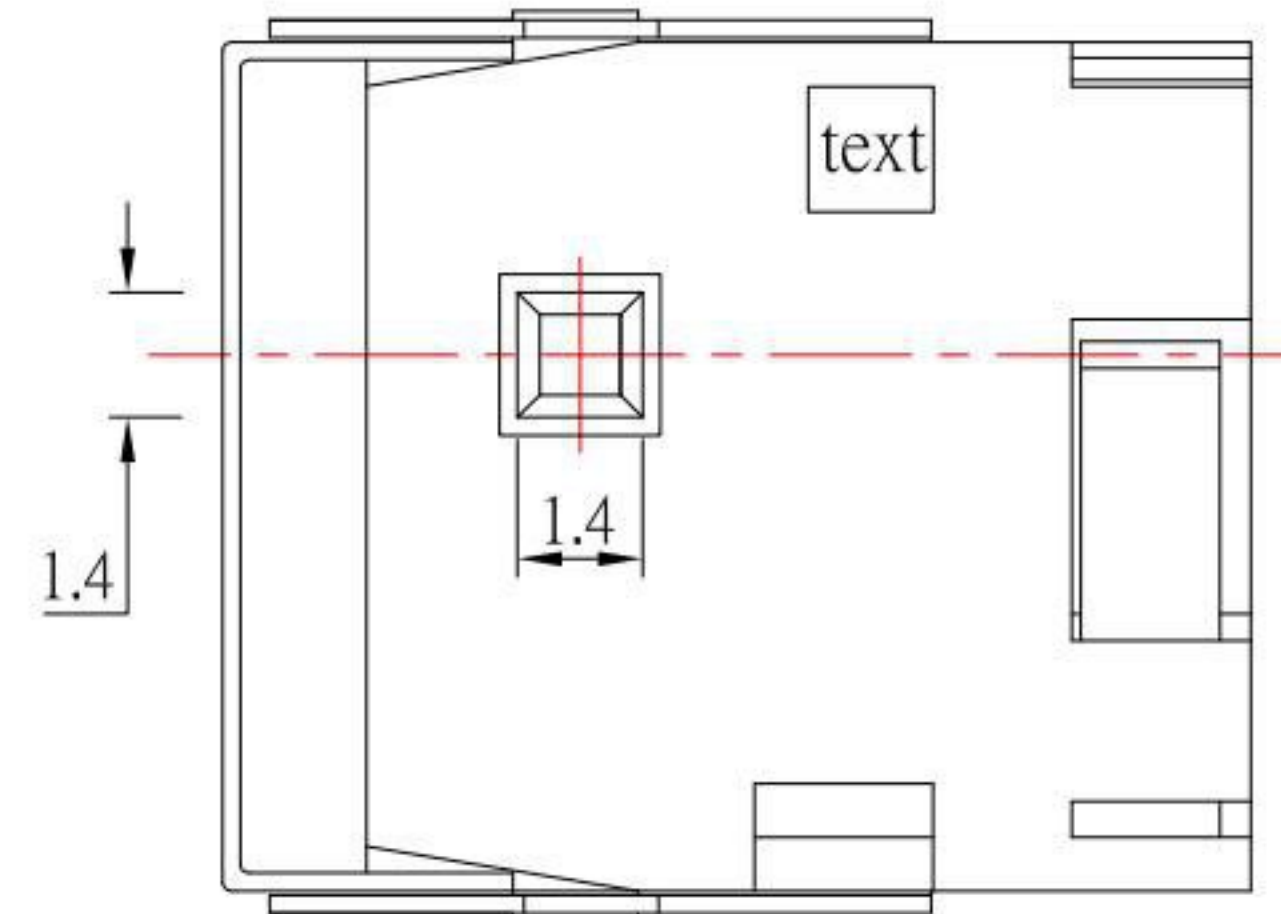
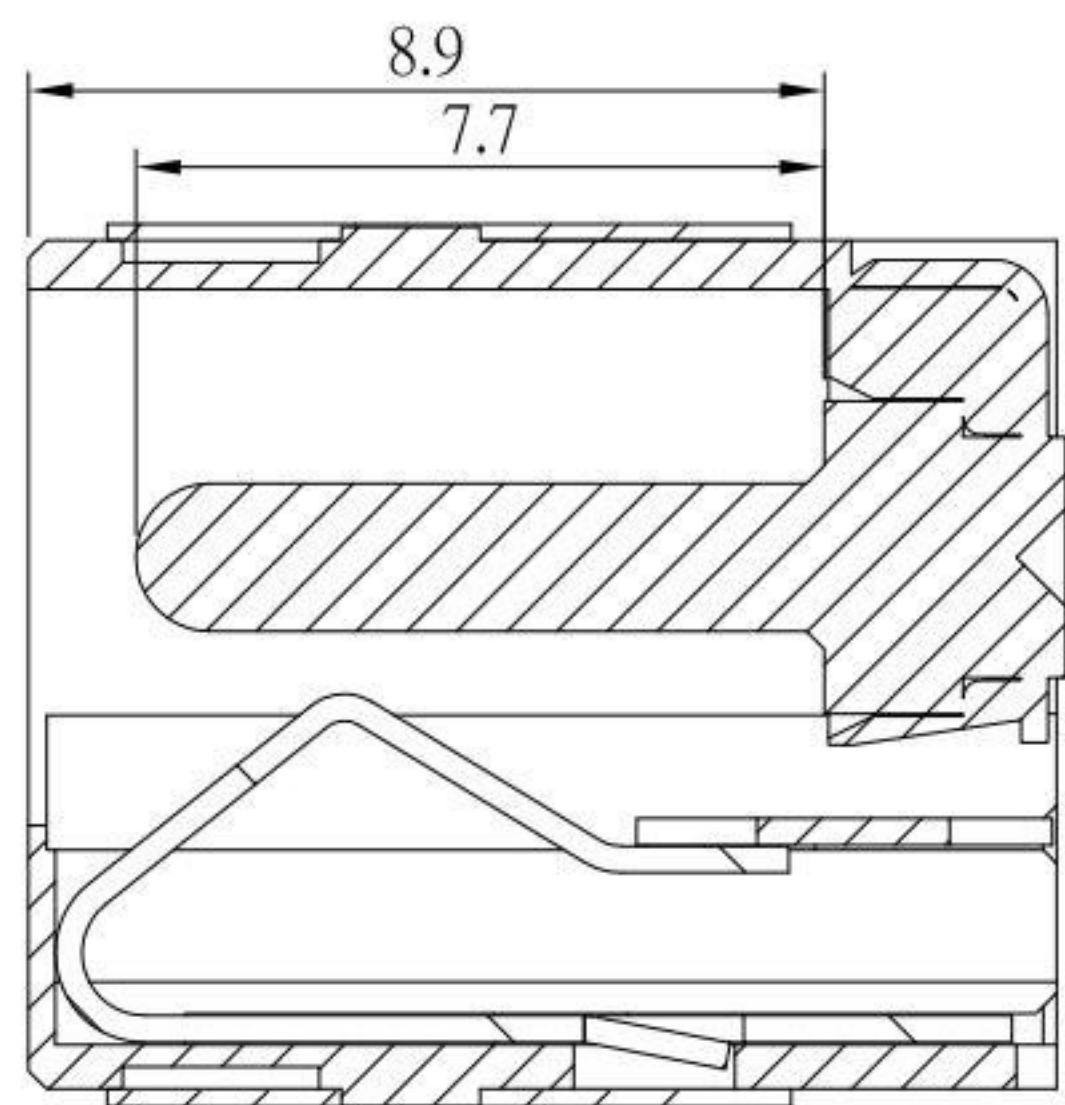


P.C.B LAYOUT
TOP VIEW



MODEL NO.	DC-069HS-x
SCHEMATIC	4 (5) 2 3
CENTER PIN(X)	φ2.0 mm φ2.5 mm

SPECIFICATION

1. Rating : DC 20V 5.0A
2. Contact resistance : $\leq 30m\Omega$
3. Insulation resistance : $\geq 100M\Omega$
4. Withstand voltage : 500VAC
5. Insertion and extraction force : 3-30N
6. life test : 5,000 cycles

NO.	DESCRIPTION	QTY	MATERIAL	PLATING
7	COVER	1	SUS	Ni-Plating
6	CONTACT FOOT	1	BRASS	Tin-Plating
5	PIN	1	BRASS	Ni-Plating
4	CONTACT FOOT	1	BRASS	Ag-Plating
3	CURVE PIECE	1	BRASS	Ag-Plating
2	SPRING PIECE	1	PHOSPHOR BRONZE	Ag-Plating
1	HOUSING	1	PA9T	Black

ITEM NO.	DESCRIPTION	DRAWN	DATE
10	更新樣式	Ian	041719
9	新增尺寸	Jack	100418
8	更新料號	Jack	050318
7	更新材質及鍍層	Jack	080417
6	更新life test	Jack	072817
5	更新圖面樣式	Jack	051017
4	新增PLUG圖示	Jack	011017
3	更新腳位編號	Jack	010617
2	更新為A0版	Jack	060816
1	更新Rating	Jack	121515

KSD 科斯达电子科技有限公司
SWITCH CONNECTOR KSD ELECTRONIC TECHNOLOGY Co., LTD
全球 互聯零組件 制造企业

TOLERANCE UNLESS OTHERWISE STATED:
Up to 5 ±0.2
5 ~ 15 ±0.3
Above 15 ~ 30 ±0.4
Above 30 ~ 50 ±0.5
Angle ±0.3°

3RD. ANGEL'S

UNITS MM

DRAWN BY:	DATE	MAT'L	TITLE	JACK
Jack Lu	06/18/21		MODLE	DC JACK 高電流 / 帶彈片帶外殼
CHECKED BY:	DATE	FINISH	DWG NO.	DC-069HS-x-S214
Jacky Chen	06/18/21		SHEET NO.	1 of 1
APPROVED BY:	DATE	SCALE	PART NO.	DC-069HS-x-S214
Tony Kao	06/18/21	1:1		