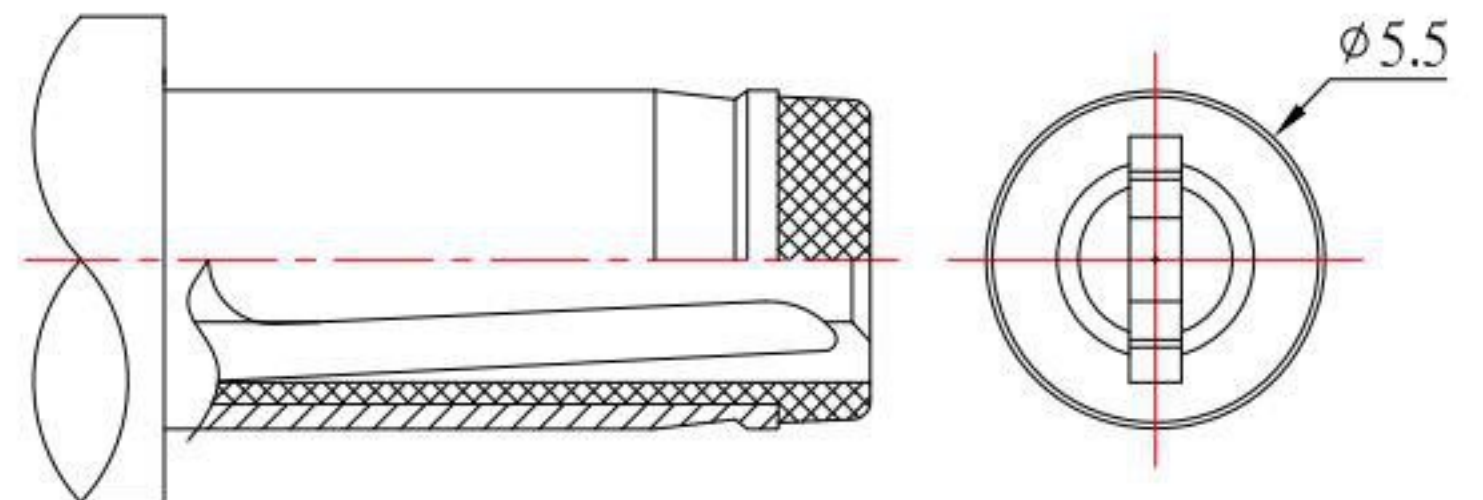
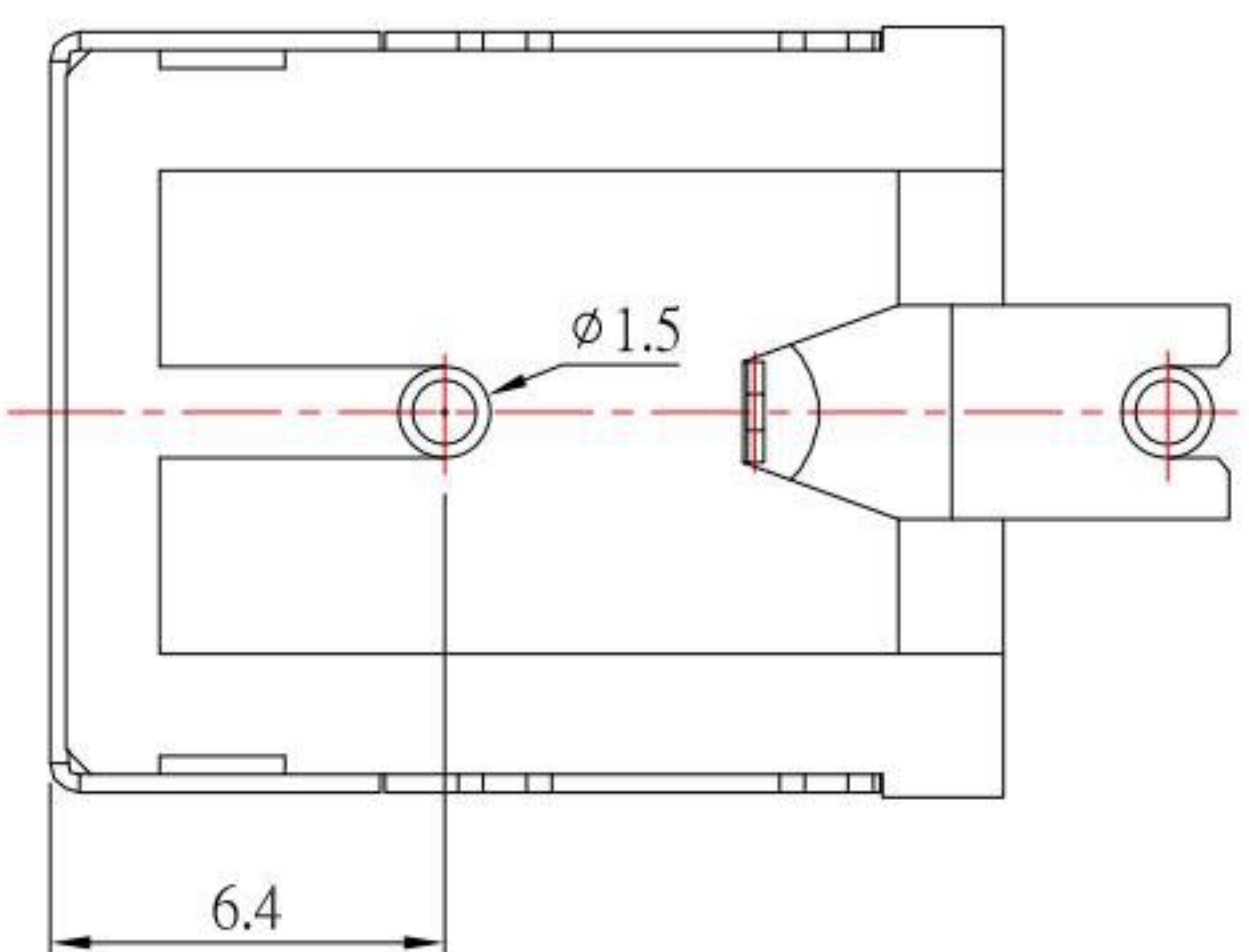
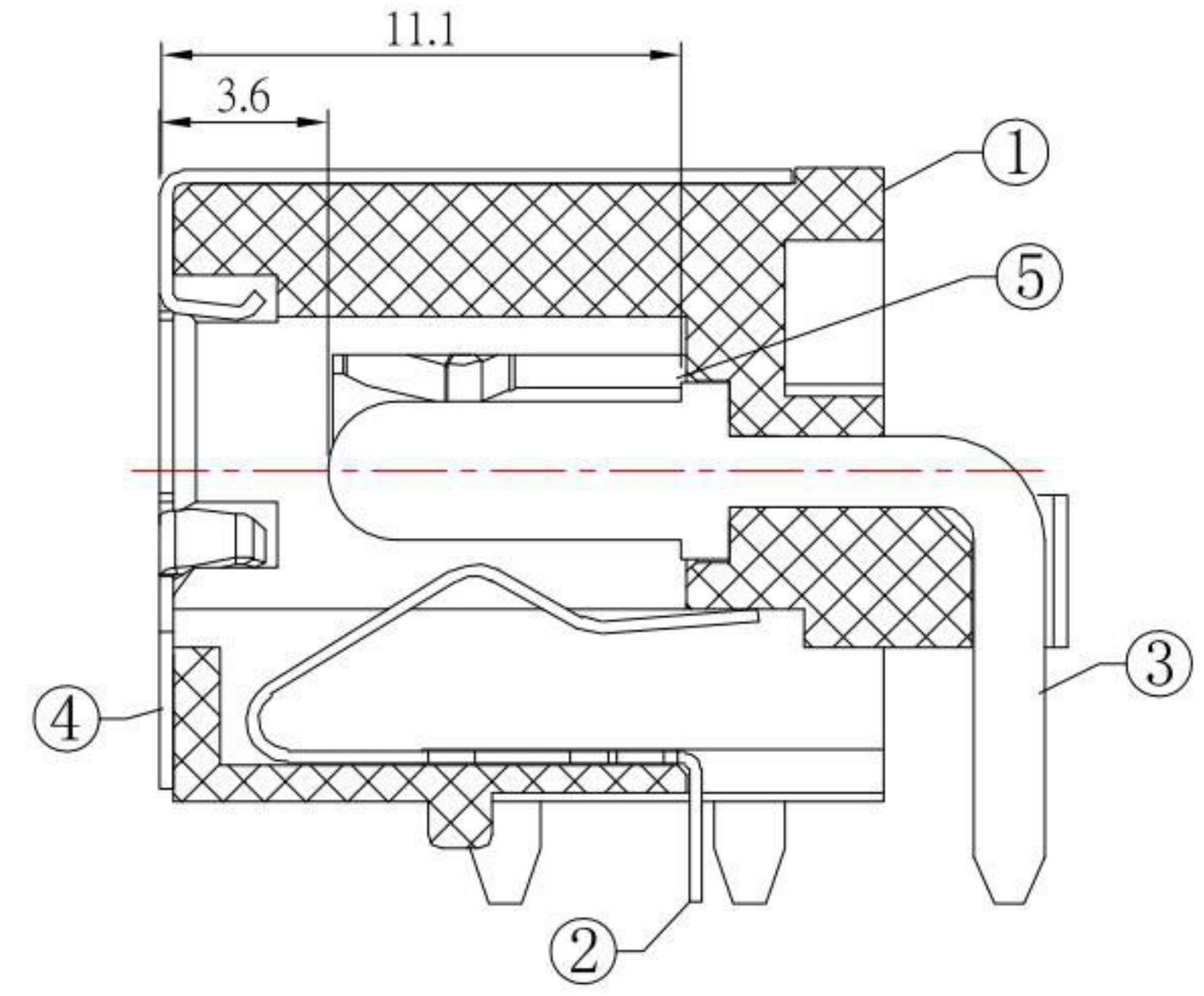


P.C.B LAYOUT
TOP VIEW



RECOMMENDED PLUG

Model NO.	DC-079HS-2.0	DC-079HS-2.5
PIN(X)	φ2.0	φ2.5

MODEL NO.	DC-079HS-x
SCHEMATIC	

SPECIFICATION

1. Rating : DC 54V, 5.0A
2. Contact resistance : ≤ 30mΩ
3. Insulation resistance : ≥ 100MΩ
4. Withstand voltage : 500VAC
5. Insertion and extraction force : 5-30N
6. life test : 5,000 cycles

NO.	DESCRIPTION	QTY	MATERIAL	PLATING
5	SPRING PIECE	1	SUS	Sn-Plating
4	COAT	1	SPCC	Ni-Plating
3	PIN	1	BRASS	Ni-Plating
2	SPRING PIECE	1	PHOSPHOR BRONZE	Sn-Plating
1	HOUSING	1	PA9T	

KSD 科斯达电子科技有限公司
SWITCH CONNECTOR 全球 互联零组件制造企业
KSD ELECTRONIC TECHNOLOGY Co., LTD

TOLERANCE UNLESS OTHERWISE STATED:	Up to 5 ±0.2	5 ~ 15 ±0.3	15 ~ 30 ±0.4	30 ~ 50 ±0.5	Angle ±0.3°
	3RD. ANGEL'S		UNITS	MM	

DRAWN BY:	DATE	MAT'L	TITLE	JACK
Jack Lu	08/27/21			
CHECKED BY:	DATE	FINISH	MODLE	DC JACK
Jacky Chen	08/27/21			
APPROVED BY:	DATE	SCALE	DWG NO.	DC-079HS-x-S124
Tony Kao	08/27/21	1:1		
		SHEET NO.	PART NO.	DC-079HS-x-S124
		1 of 1		

ITEM NO.	DESCRIPTION	DRAWN	DATE
2	更新Rating	Jack	082721
1	更新圖面	Jack	083120