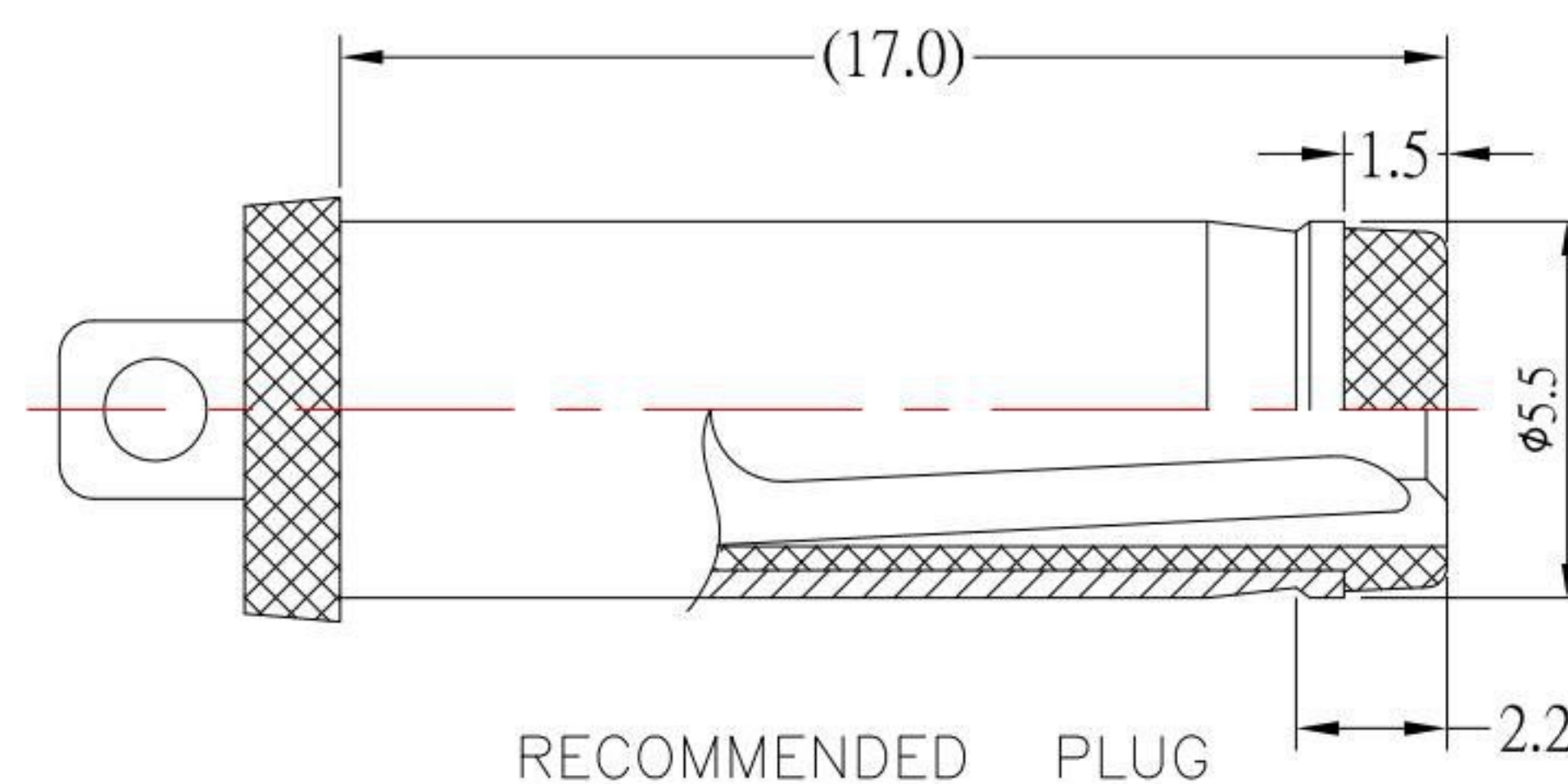
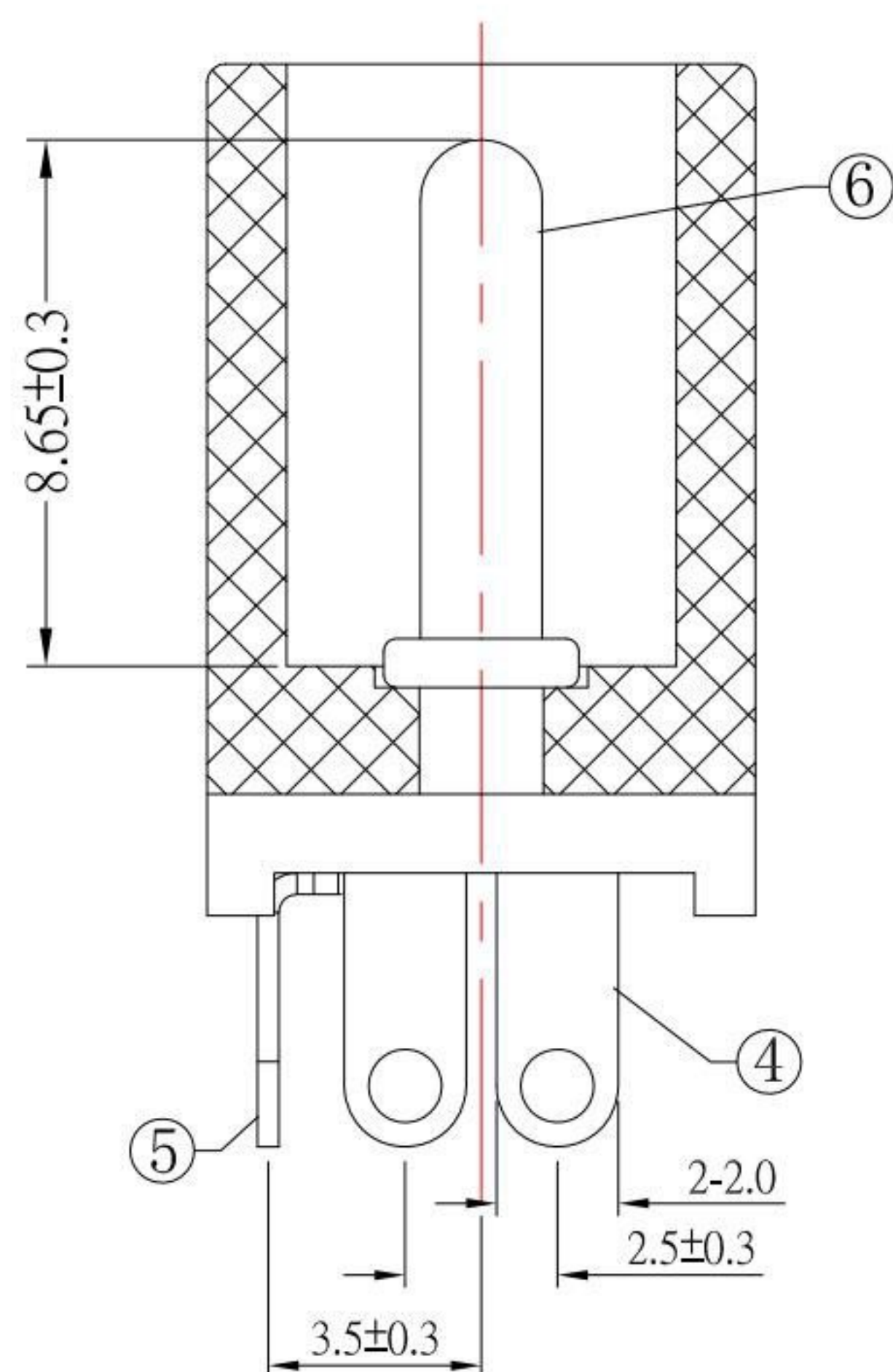


P.C.B LAYOUT MOUNTING PATTERN (TOP VIEW)



RECOMMENDED PLUG

MODEL NO.	DC-D012D-x-S124
SCHEMATIC	
CENTER PIN	φ 2.0mm φ 2.5mm

SPECIFICATION

- Rating : DC 30V, 1.0A / 16V 3.0A ;
- Contact resistance :  $\leq 30m\Omega$  ;
- Insulation resistance :  $\geq 100M\Omega$  ;
- Withstand voltage : 500VAC ;
- Insertion and extraction force : 3-30N;
- life test : 5,000 cycles °

NO.	DESCRIPTION	QTY	MATERIAL	REMARK
⑥	PIN	1	BRASS	Ni-Plated
⑤	CURVE PIECE	1	BRASS	Sn-Plated
④	FLAT PIECE	1	BRASS	Sn-Plated
③	SPRING	1	PHOSPHOR BRONZE	Sn-Plated
②	COVER	1	PBT	
①	HOUSING	1	PBT	

ITEM NO.	DESCRIPTION	DRAWN	DATE
4	更新圖面	Jack	113022
3	更新材質	Jack	081017
2	更新Rating	Jack	061217
1	更新材質	Jack	032917

**KSD** 科斯达电子科技有限公司  
 SWITCH CONNECTOR KSD ELECTRONIC TECHNOLOGY Co., LTD  
 全球 互聯零組件製造企業

TOLERANCE UNLESS OTHERWISE STATED :  
 Up to 5 ±0.2  
 Above 5 ~ 15 ±0.3  
 Above 15 ~ 30 ±0.4  
 Above 30 ~ 50 ±0.5  
 Angle ±0.3°

3RD. ANGEL'S

UNITS MM

DRAWN BY:	DATE	MAT'L	TITLE	JACK
Jack Lu	11/30/22	FINISH	MODLE	DC JACK
CHECKED BY:	DATE	SCALE	DWG NO.	DC-D012D-x-S124
Jacky Chen	11/30/22	1 : 1	PART NO.	DC-D012D-x-S124
APPROVED BY:	DATE	SHEET NO.	1 of 1	
Tony Kao	11/30/22			

SIZE A4  
VER R4