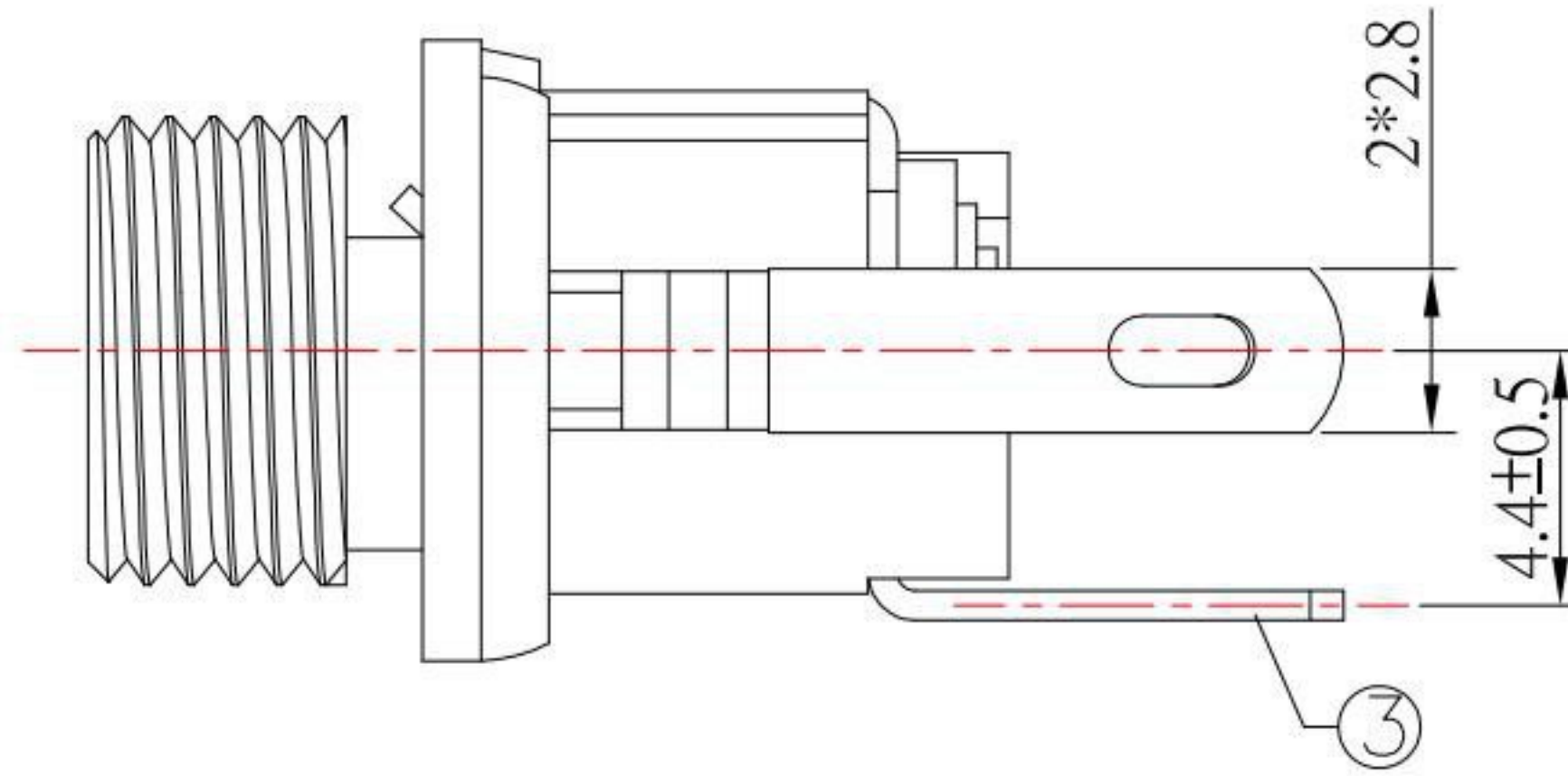


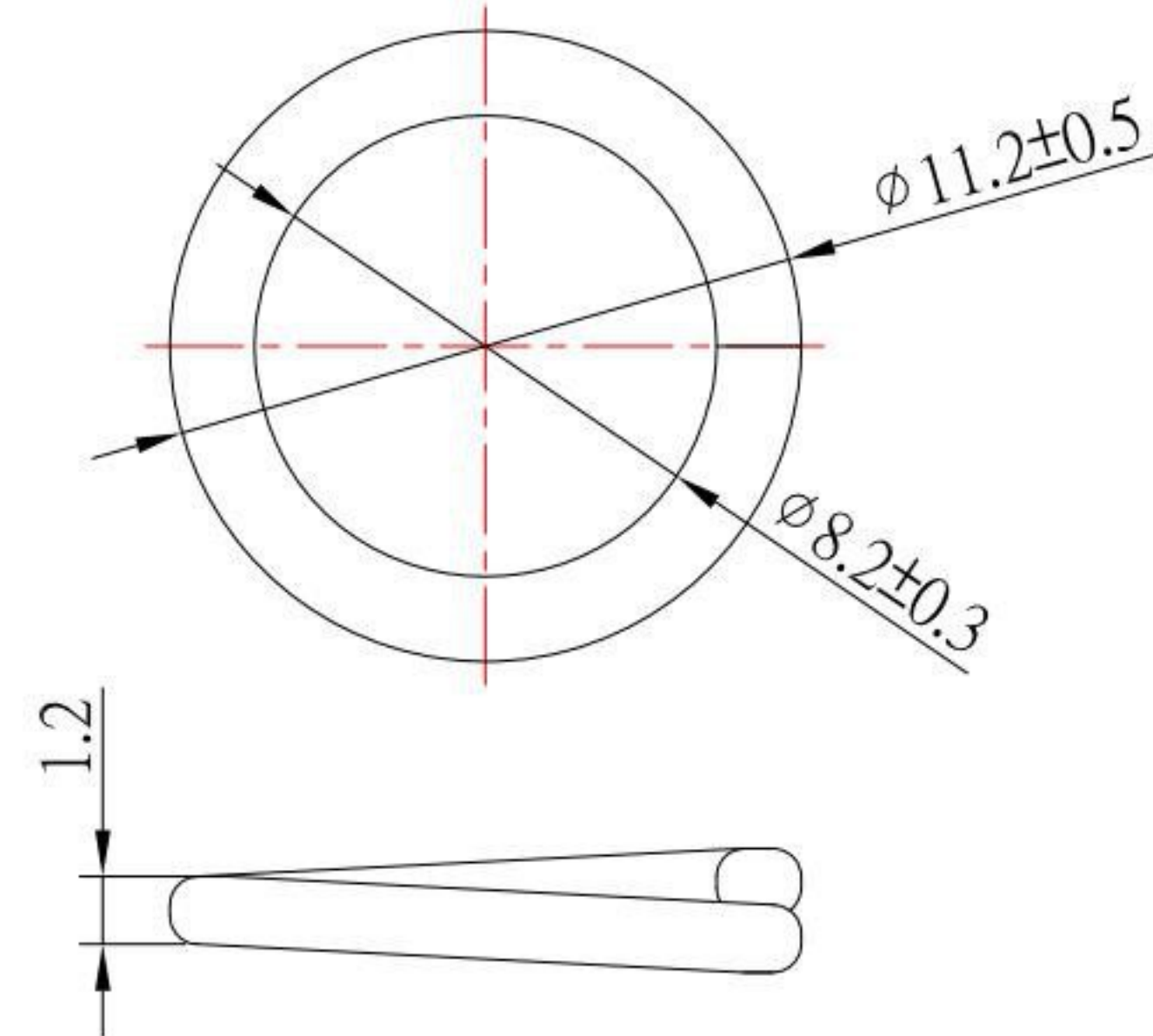
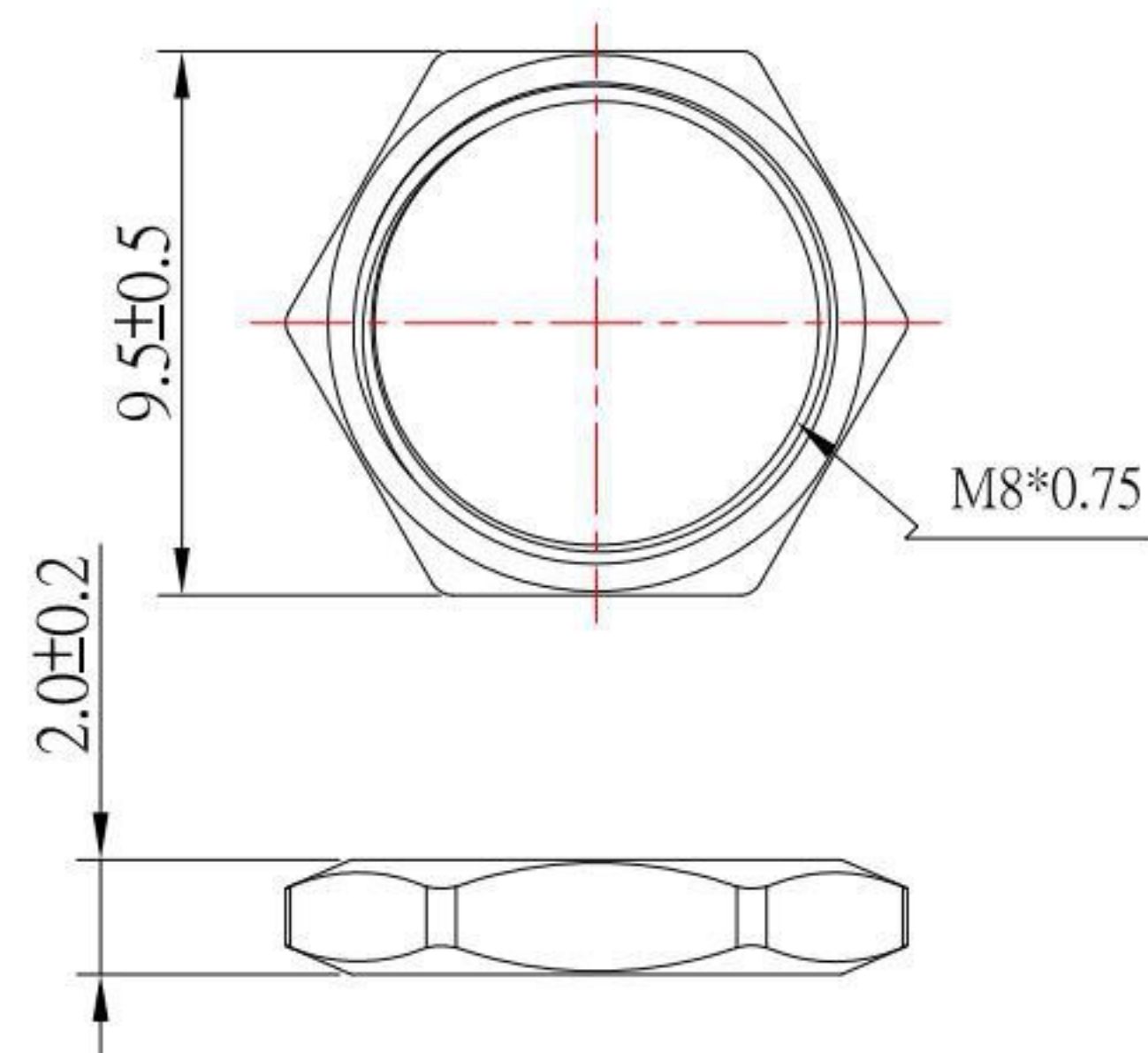
RECOMMENDED PLUG



MODEL NO.	DC-D025M-x-S124
SCHEMATIC	
CENTER PIN	$\phi 2.0\text{mm}$
	$\phi 2.5\text{mm}$

**SPECIFICATION**

1. Rating : DC 30V, 3.0A
2. Contact resistance :  $\leq 30\text{m}\Omega$
3. Insulation resistance :  $\geq 100\text{M}\Omega$
4. Withstand voltage : 500VAC
5. Insertion and extraction force : 3-30N
6. life test : 5,000 cycles



NO.	DESCRIPTION	QTY	MATERIAL	PLATING
8	SPLIT WASHER	1	IRON	Ni-Plating
7	NUT	1	H59	Ni-Plating
6	HOUSING	1	PBT	
5	AXIS SUPPORT	1	H59	Ni-Plating
4	PIN	1	H59	Ni-Plating
3	SPRING	1	PHOSPHOR BRONZE	Sn-Plating
2	2# CURVE PIECE	1	BRASS	Sn-Plating
1	1# CURVE PIECE	1	BRASS	Sn-Plating

**KSD** 科斯达电子科技有限公司  
 SWITCH CONNECTOR KSD ELECTRONIC TECHNOLOGY Co., LTD  
 全球 互联零组件制造企业

TOLERANCE UNLESS OTHERWISE STATED:  
 Up to 5 ±0.2  
 Above 5 ~ 15 ±0.3  
 Above 15 ~ 30 ±0.4  
 Above 30 ~ 50 ±0.5  
 Angle ±0.3°

3RD. ANGEL'S

UNITS MM

DRAWN BY:	DATE	MAT'L	TITLE	JACK
Jack Lu	11/21/22		JACK	
CHECKED BY:	DATE	FINISH	MODLE	DC JACK
Jacky Chen	11/21/22			
APPROVED BY:	DATE	SCALE	DWG NO.	DC-D025M-x-S124
Tony Kao	11/21/22	1:1		
		SHEET NO.	PART NO.	DC-D025M-x-S124
		1 of 1		

ITEM NO.	DESCRIPTION	DRAWN	DATE
3	更新圖面	Jack	112122
2	更新尺寸	Jack	091020
1	更新Rating	Jack	032020

SIZE A4  
VER R3