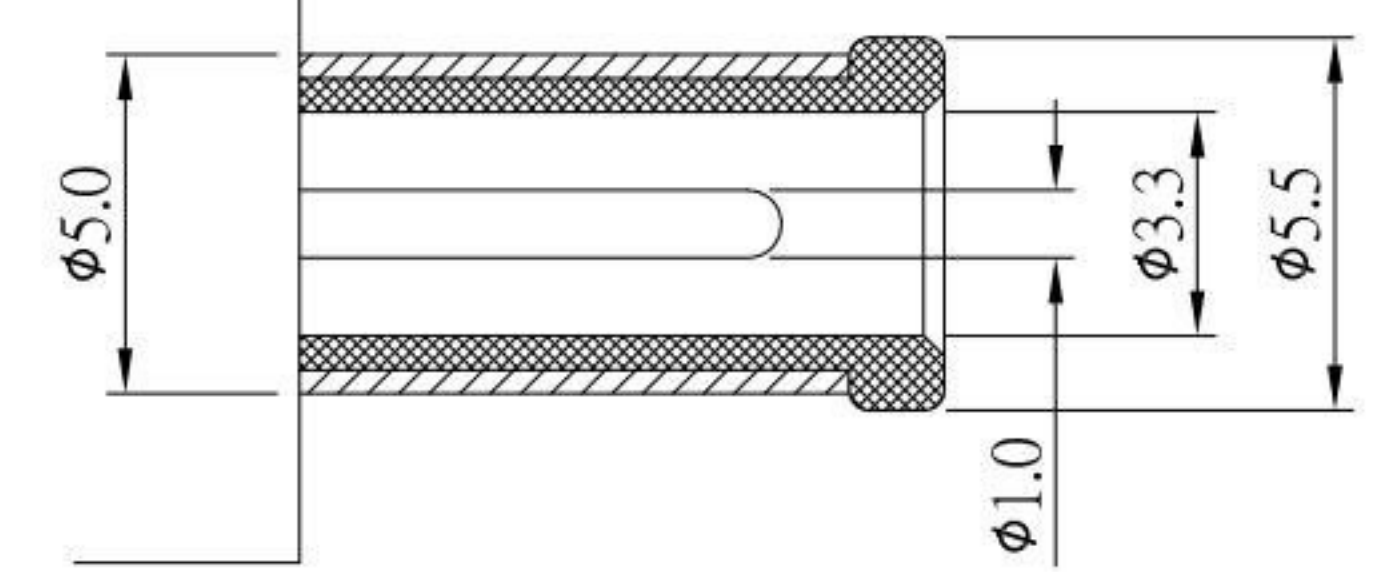
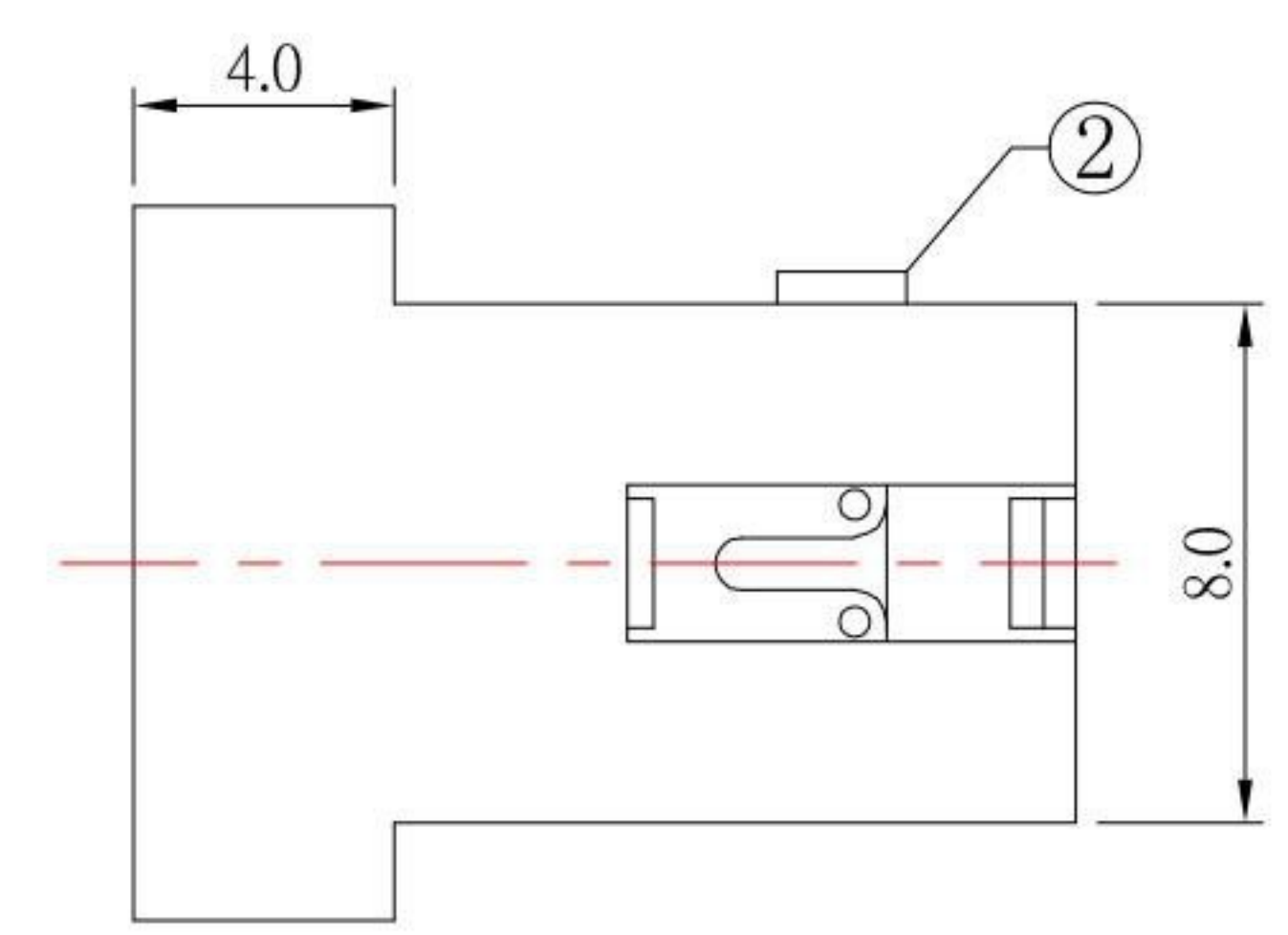
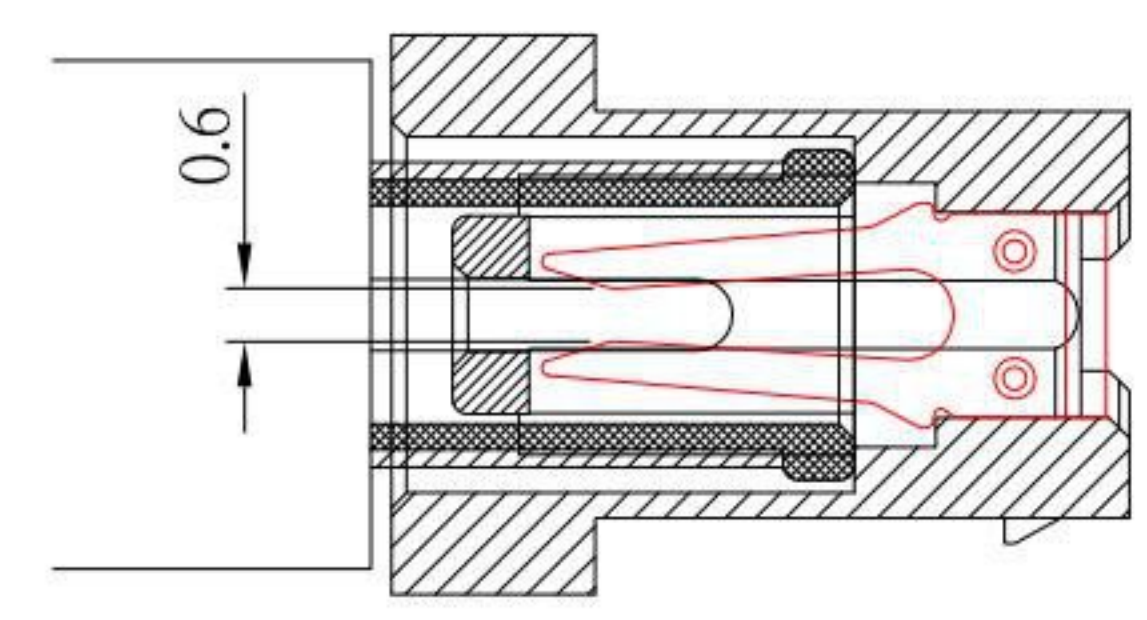


P.C.B LAYOUT
TOP VIEW



DC MATE PLUG

MODEL NO.	DC-D038D-1.0
SCHEMATIC	

SPECIFICATION

1. Rating : DC 30V, 3.0A ;
2. Contact resistance : $\leq 30m\Omega$;
3. Insulation resistance : $\geq 100M\Omega$;
4. Withstand voltage : 500VAC ;
5. Insertion and extraction force : 3-20N;
6. life test : 5,000 cycles °

NO.	DESCRIPTION	QTY	MATERIAL	PLATING
④	CONTACT FOOT	1	PHOSPHOR BRONZE	Ag-Plating
③	SPRING	1	PHOSPHOR BRONZE	Ag-Plating
②	CURVE PIECE	1	BRASS	Ag-Plating
①	HOUSING	1	PBT	

KSD 科斯达电子科技有限公司
 SWITCH CONNECTOR KSD ELECTRONIC TECHNOLOGY Co., LTD
 全球 互联零组件制造企业

TOLERANCE UNLESS OTHERWISE STATED :	Up to 5 ±0.2	3RD. ANGEL'S	UNITS	MM
	Above 5 ~ 15 ±0.3			
	Above 15 ~ 30 ±0.4			
	Above 30 ~ 50 ±0.5			
	Angle ±0.3			

DRAWN BY:	DATE	MAT'L	TITLE	JACK
Jack Lu	10/05/21		MODLE	DC JACK
CHECKED BY:	DATE	FINISH	DWG NO.	DC-D038D-1.0-S124
Jacky Chen	10/05/21		SCALE	1 : 1
APPROVED BY:	DATE	SHEET NO.	PART NO.	DC-D038D-1.0-S124
Tony Kao	10/05/21	1 of 1		

ITEM NO.	DESCRIPTION	DRAWN	DATE