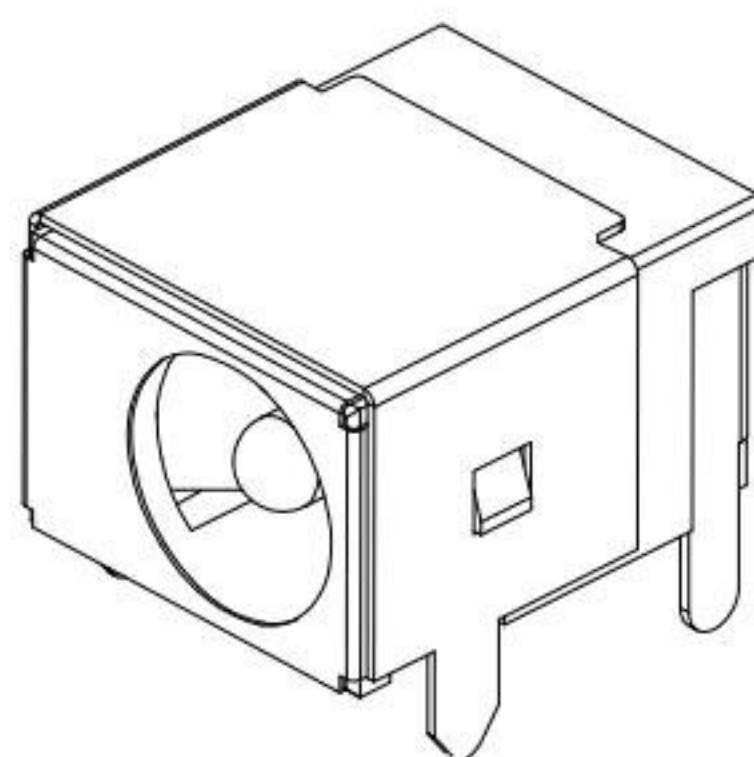
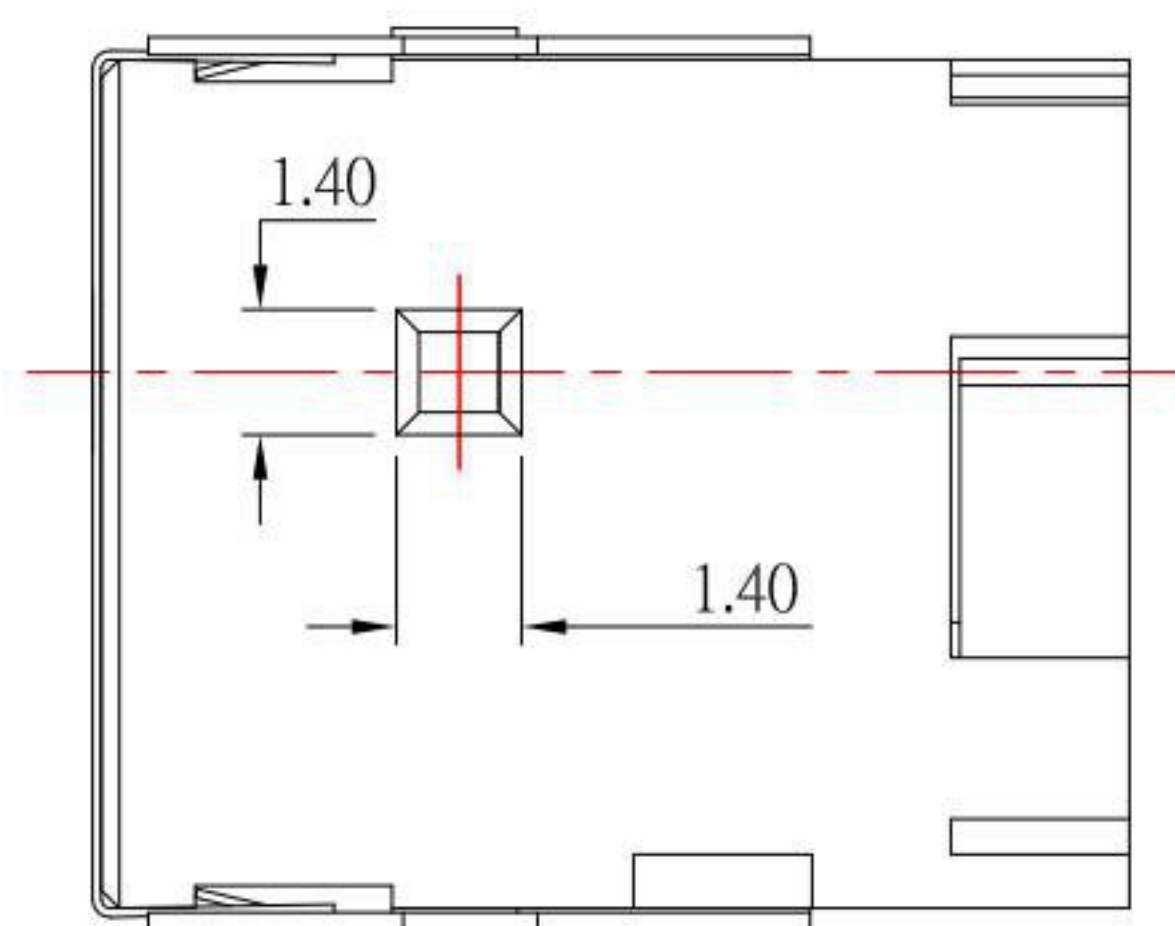
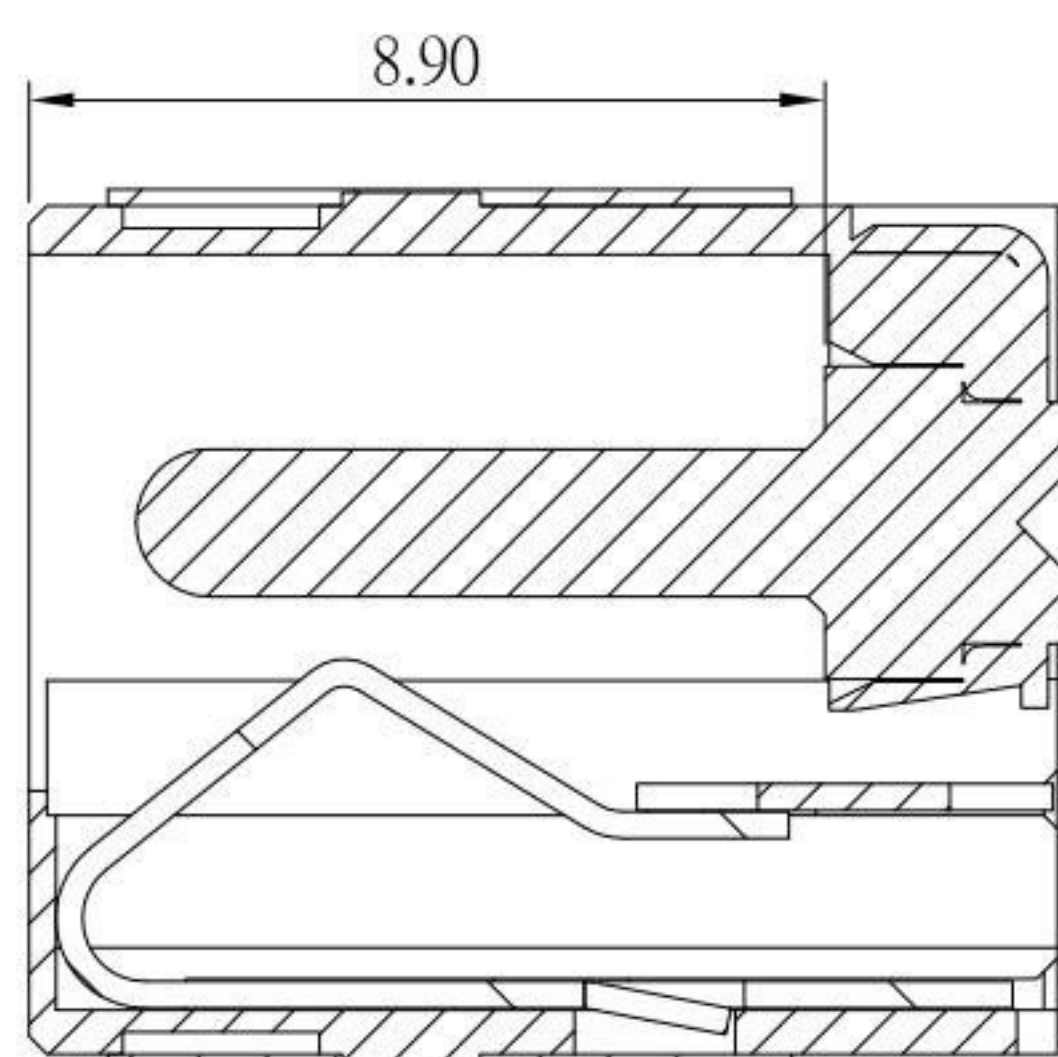


P.C.B LAYOUT  
TOP VIEW



SPECIFICATION

- 1. Rating : DC 20V 5.0A
- 2. Contact resistance :  $\leq 30m\Omega$
- 3. Insulation resistance :  $\geq 100M\Omega$
- 4. Withstand voltage : 500VAC
- 5. Insertion and extraction force : 3-30N
- 6. life test : 10,000 cycles

MODEL NO.	DC-D044B-x
SCHEMATIC	4 (5) 2 3
CENTER PIN(X)	$\phi 1.65$ mm
	$\phi 2.0$ mm
	$\phi 2.5$ mm

NO.	DESCRIPTION	QTY	MATERIAL	PLATING
6	COVER	1	SUS	Ni-Plating
5	PIN	1	H59	Ni-Plating
4	CONTACT FOOT	1	BRASS	Tin / Ni-Plating
3	CURVE PIECE	1	BRASS	Tin / Ni-Plating
2	SPRING PIECE	1	C17200	Tin / Ni-Plating
1	HOUSING	1	PA9T	Black

**KSD** 科斯达电子科技有限公司  
SWITCH CONNECTOR KSD ELECTRONIC TECHNOLOGY Co., LTD  
全球 互联零组件制造企业

TOLERANCE UNLESS OTHERWISE STATED :  
Up to 5  $\pm 0.2$   
Above 5 ~ 15  $\pm 0.3$   
Above 15 ~ 30  $\pm 0.4$   
Above 30 ~ 50  $\pm 0.5$   
Angle  $\pm 0.3^\circ$

3RD. ANGEL'S UNITS MM

DRAWN BY:	DATE	MAT'L	TITLE	JACK
Jack Lu	04/25/18		MODLE	DC JACK
CHECKED BY:	DATE	FINISH	DWG NO.	DC-D044B-x-S214
Jacky Chen	04/25/18		PART NO.	DC-D044B-x-S214
APPROVED BY:	DATE	SCALE	1 : 1	
Tony Kao	04/25/18	SHEET NO.	1 of 1	

ITEM NO.	DESCRIPTION	DRAWN	DATE
1	更新圖面尺寸	Jack	042518

SIZE A4  
VER R1