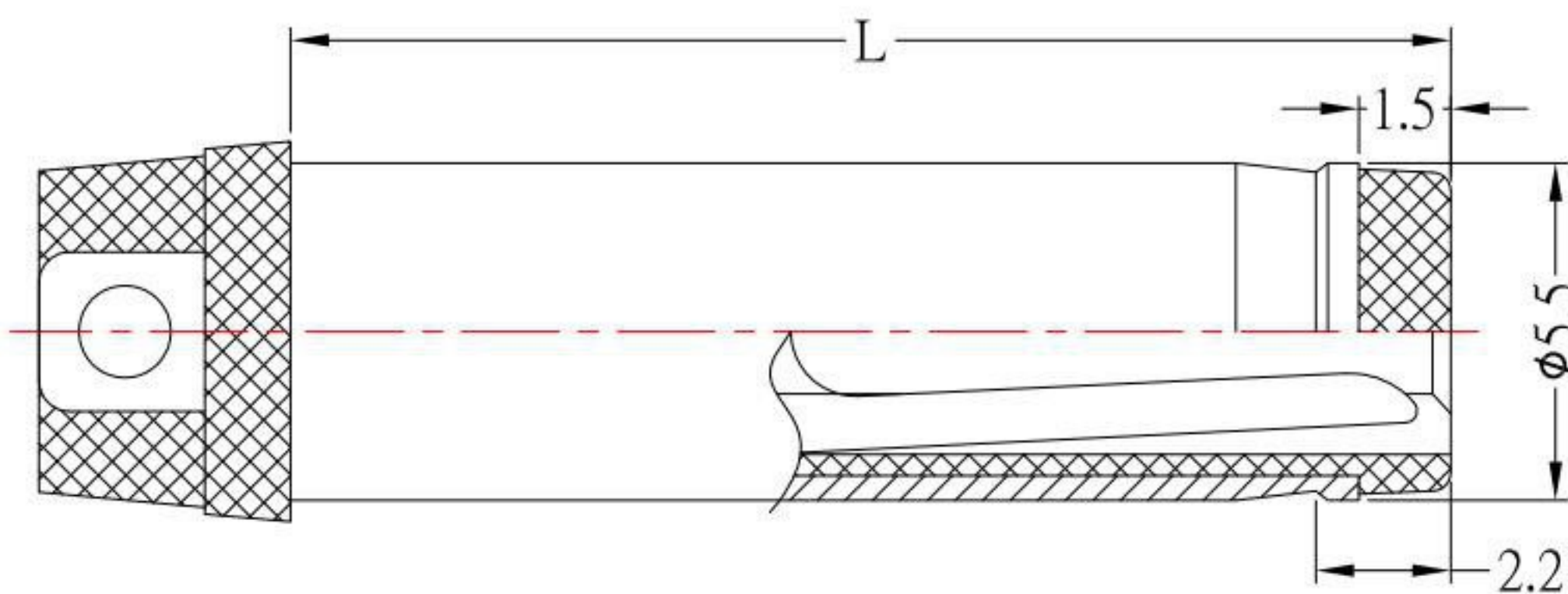
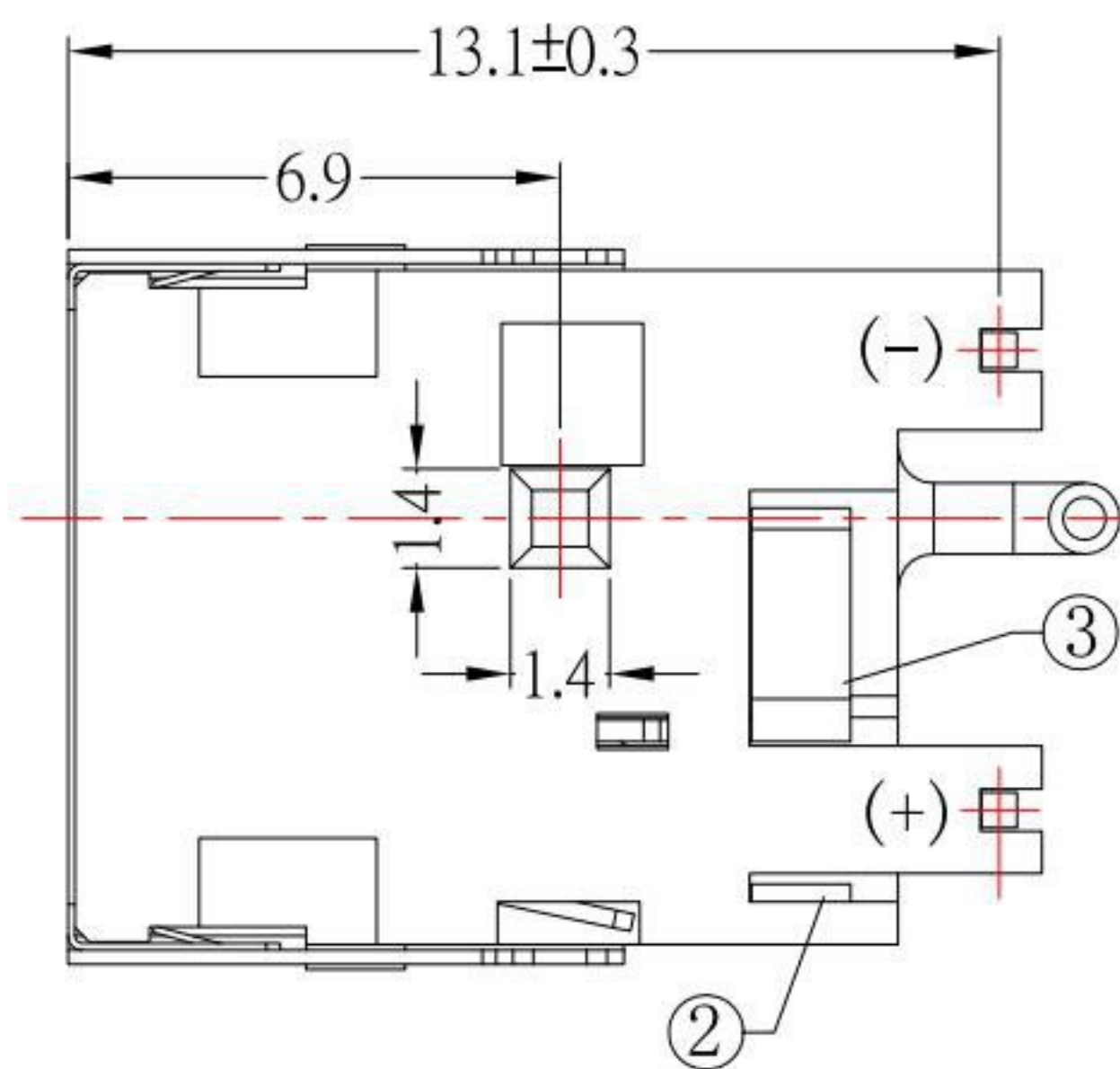


P.C.B LAYOUT
TOP VIEW



RECOMMENDED PLUG



MODEL NO.	DC-D046H-x
SCHEMATIC	
CENTER PIN(X)	φ 2.0mm φ 2.5mm

SPECIFICATION

1. Rating : DC 30V , 5.0A ;
2. Contact resistance : ≤30mΩ ;
3. Insulation resistance : ≥100MΩ ;
4. Withstand voltage : 500VAC ;
5. Insertion and extraction force : 3-30N;
6. life test : 5,000 cycles °

NO.	DESCRIPTION	QTY	MATERIAL	PLATING
⑦	LED(Green)	1		522nm WAVELENGTH
⑥	SHELL	1	BRASS	Ni-Plating
⑤	COAT	1	SUS	Ni-Plating
④	PIN	1	BRASS	Sn-Plating
③	CONTACT FOOT	1	BRASS	Sn-Plating
②	SPRING	1	PHOSPHOR BRONZE	Sn-Plating
①	HOUSING	1	PA9T	

KSD 科斯达电子科技有限公司
 SWITCH CONNECTOR KSD ELECTRONIC TECHNOLOGY Co., LTD
 全球 互联零组件制造企业

TOLERANCE UNLESS OTHERWISE STATED :	Up to 5 ±0.2	5 ~ 15 ±0.3	15 ~ 30 ±0.4	30 ~ 50 ±0.5	Angle ±0.3
	3RD. ANGEL'S	UNITS	MM		

DRAWN BY:	DATE	MAT'L	TITLE	JACK
Jack Lu	11/11/21		JACK	
CHECKED BY:	DATE	FINISH	MODLE	DC JACK
Jacky Chen	11/11/21			
APPROVED BY:	DATE	SCALE	DWG NO.	DC-D046H-x-S124
Tony Kao	11/11/21	1:1		
		SHEET NO.	PART NO.	DC-D046H-x-S124
		1 of 1		

ITEM NO.	DESCRIPTION	DRAWN	DATE
2	新增LED接線標示	Jack	111121
1	更新料號	Jack	062121