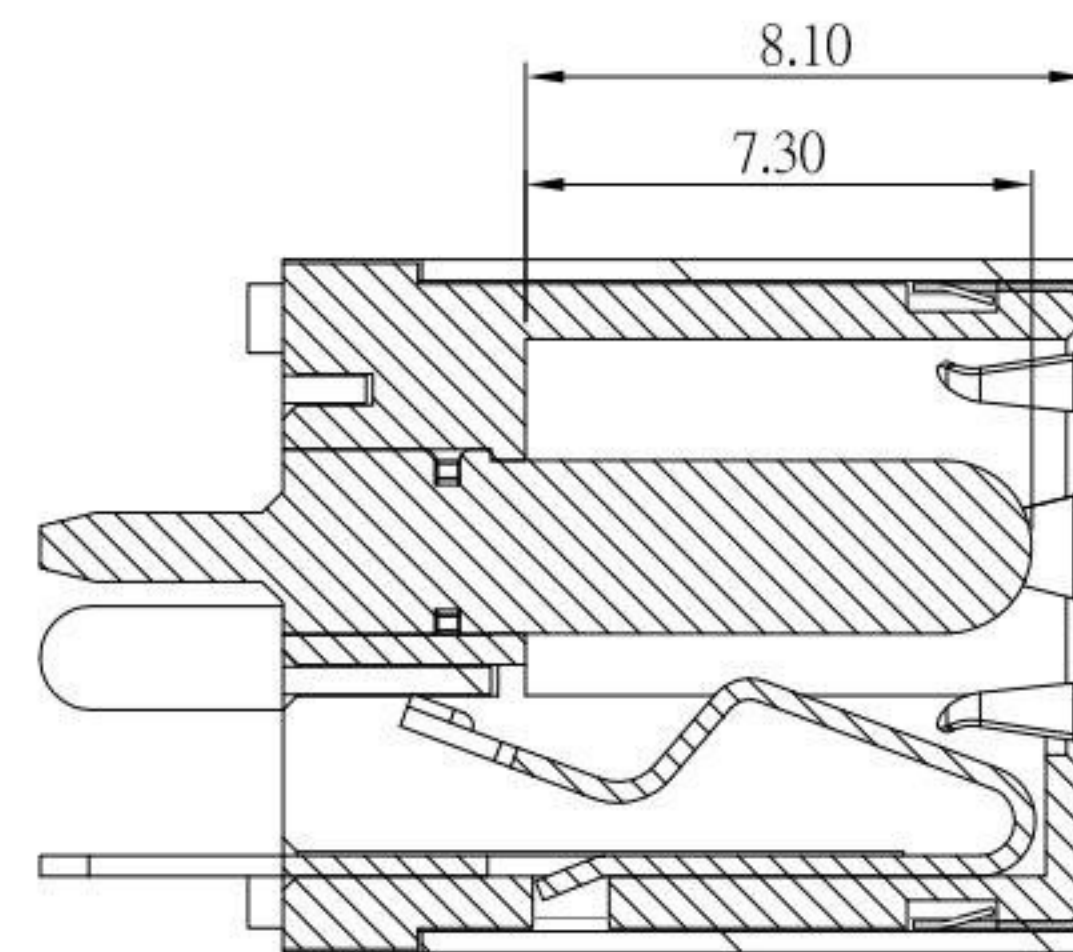
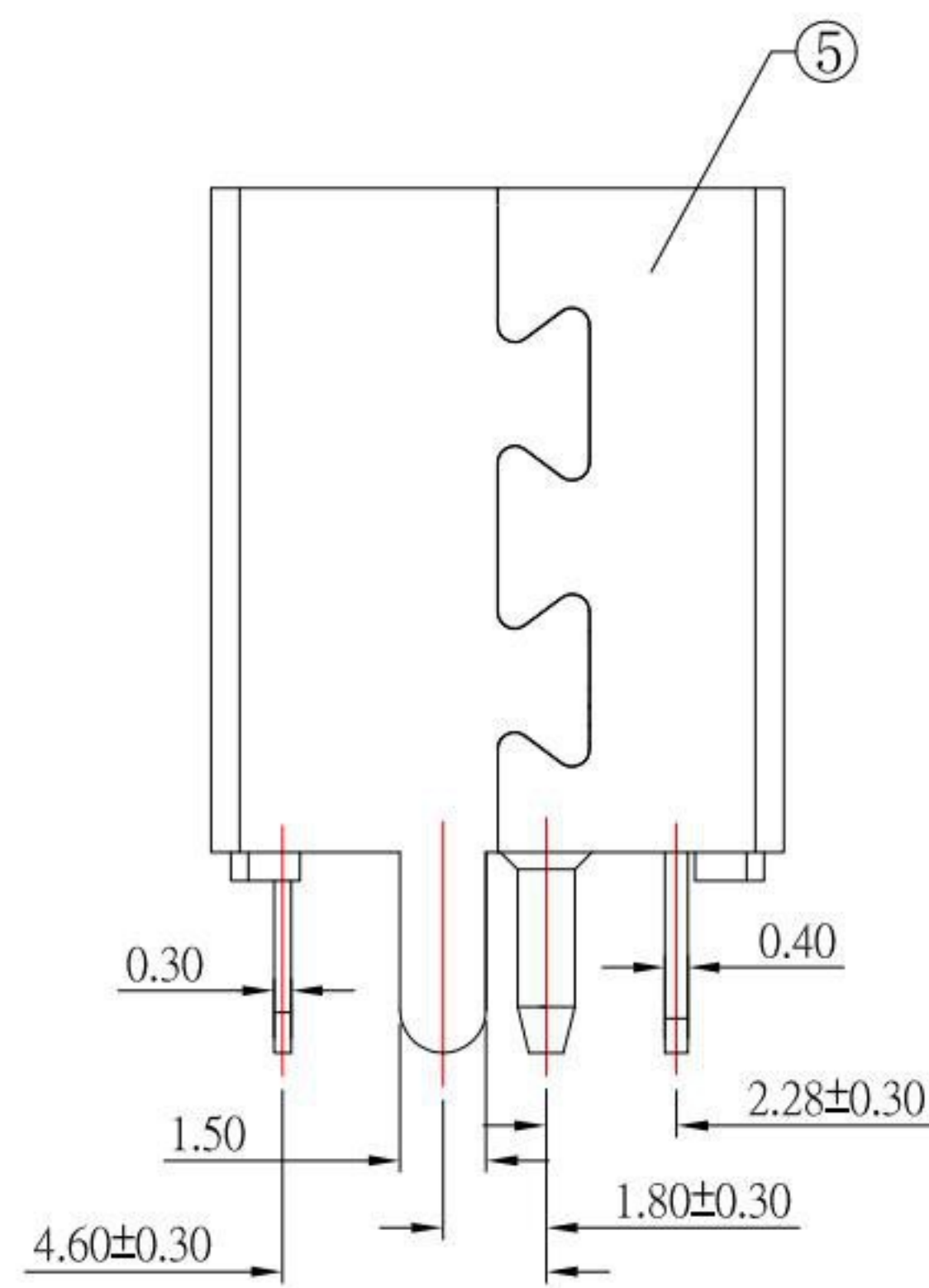


P.C.B LAYOUT  
TOP VIEW

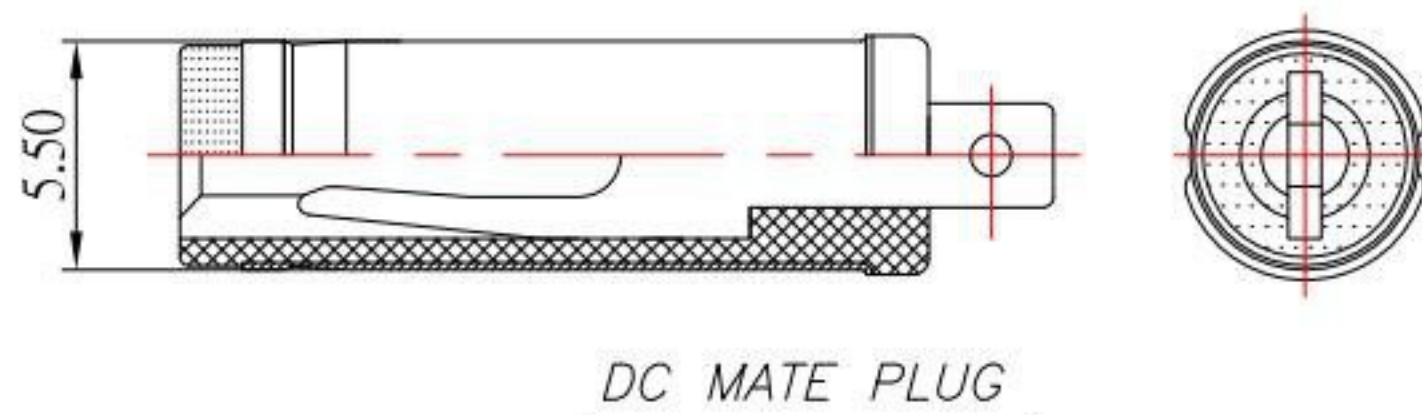


SECTION

MODEL NO.	DC-D1842V-x-S214
SCHEMATIC	
CENTER PIN	φ2.00 mm
	φ2.50 mm
	φ3.00 mm

SPECIFICATION

1. Rating : DC 48V, 5.5A ;
2. Contact resistance :  $\leq 30m\Omega$  ;
3. Insulation resistance :  $\geq 100M\Omega$  ;
4. Withstand voltage : 500VAC ;
5. Insertion and extraction force : 3-30N;
6. life test : 5,000 cycles .



DC MATE PLUG

NO.	DESCRIPTION	QTY	MATERIAL	REMARK
6	SPRING PIECE	1	SUS	
5	COAT	1	IRON	Ni-Plating
4	PIN	1	ZINC ALLOY	Ni-Plating
3	CONTACT FOOT	1	BRASS	Ag-Plating
2	SPRING PIECE	1	PHOSPHOR BRONZE	Ag-Plating
1	HOUSING	1	PA9T	

**KSD** 科斯达电子科技有限公司  
SWITCH CONNECTOR KSD ELECTRONIC TECHNOLOGY Co., LTD  
全球 互联零组件制造企业

TOLERANCE UNLESS OTHERWISE STATED:	Up to 5 ±0.2	3RD. ANGEL'S	UNITS	MM
	Above 5 ~ 15 ±0.3			
	Above 15 ~ 30 ±0.4			
	Above 30 ~ 50 ±0.5			
	Angle ±0.3°			

DRAWN BY:	DATE	MAT'L	TITLE	JACK
Jack Lu	08/27/20		MODLE	DC JACK
CHECKED BY:	DATE	SCALE	DWG NO.	DC-D1842V-x-S214
Jacky Chen	08/27/20	1:1	PART NO.	DC-D1842V-x-S214
APPROVED BY:	DATE	SHEET NO.	1 of 1	
Tony Kao	08/27/20			

ITEM NO.	DESCRIPTION	DRAWN	DATE