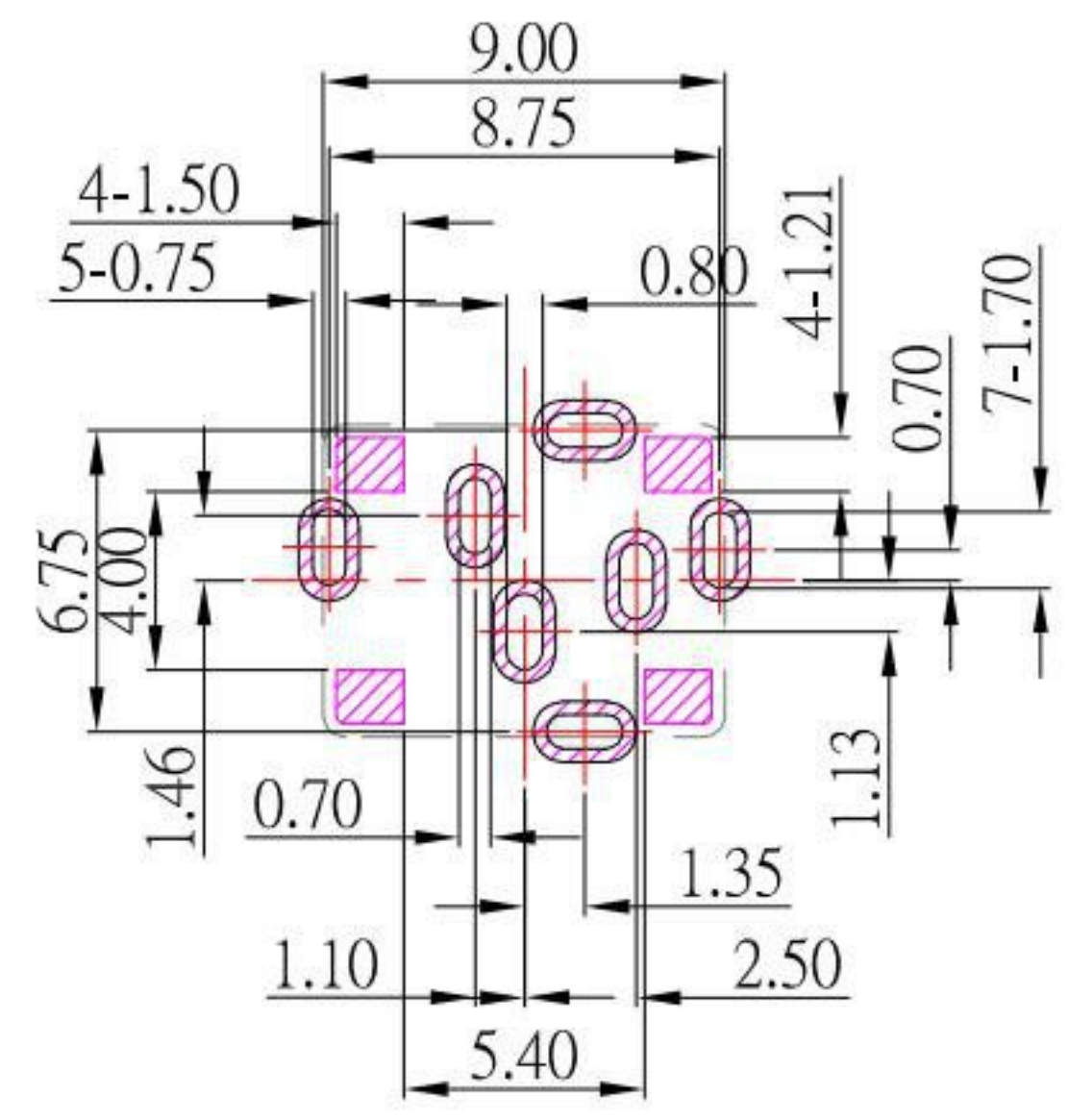
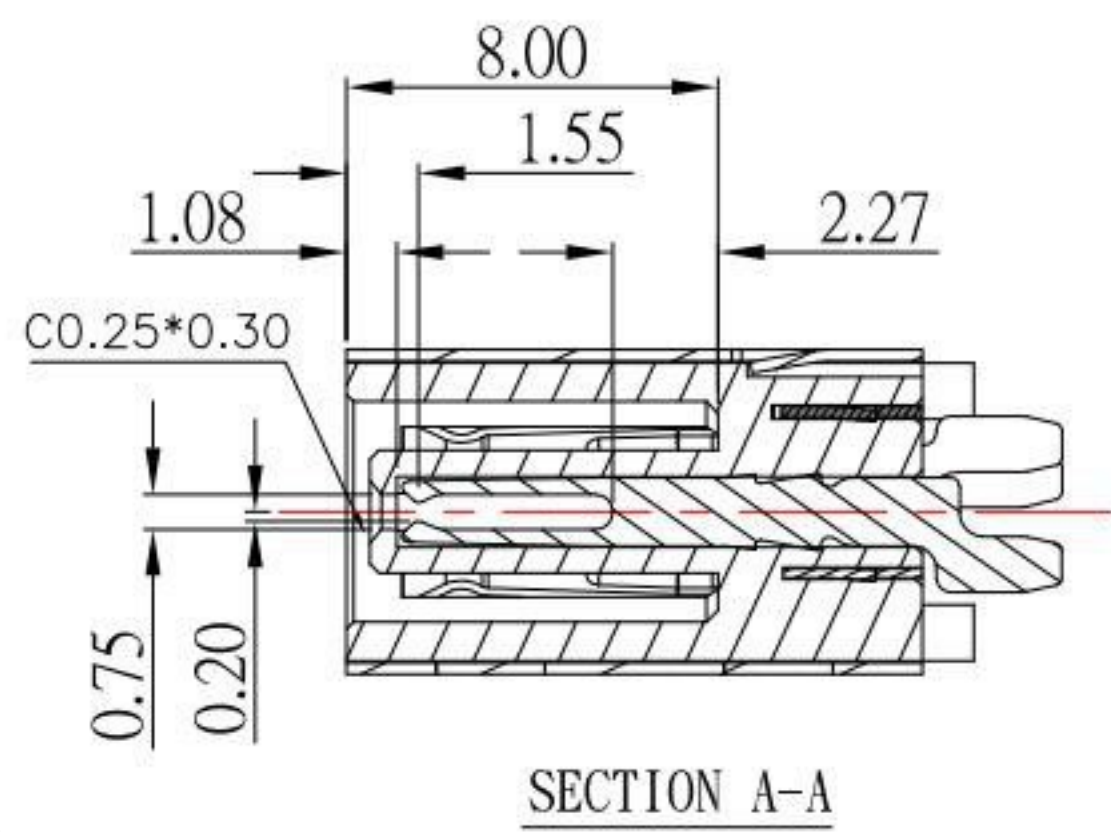
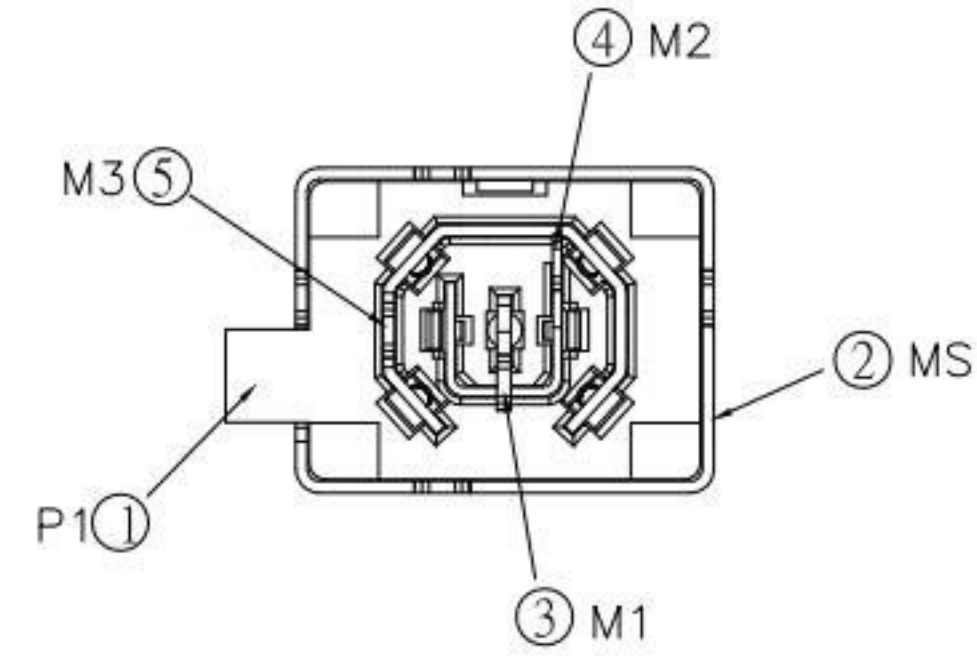
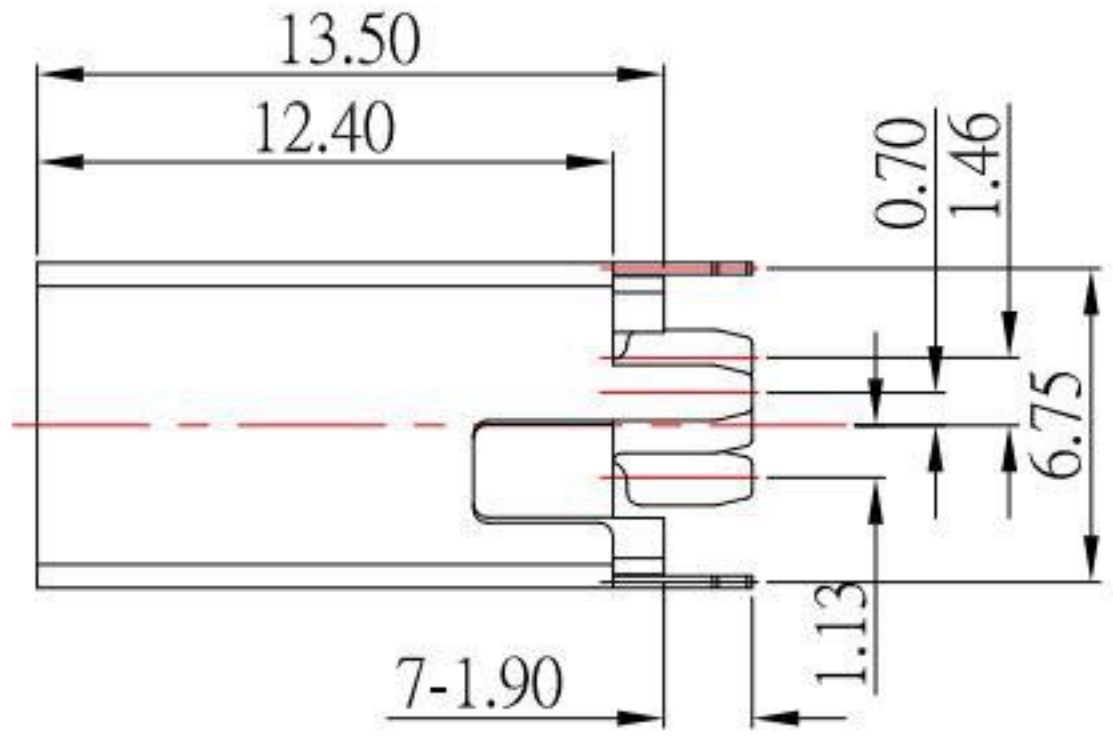
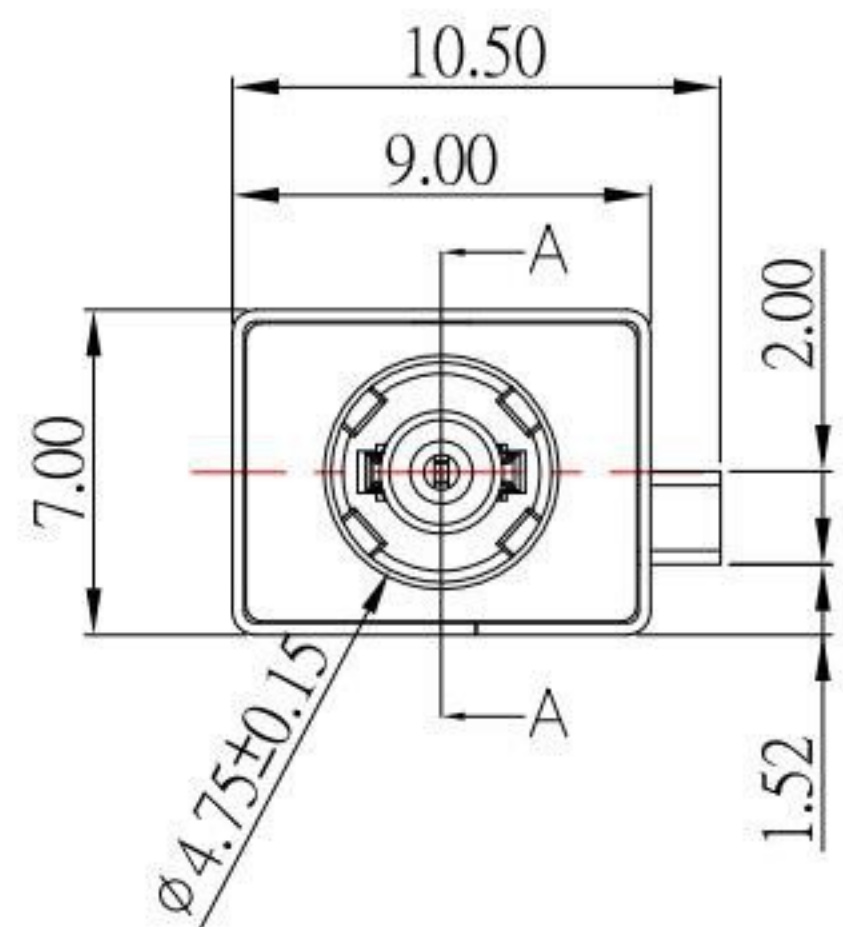
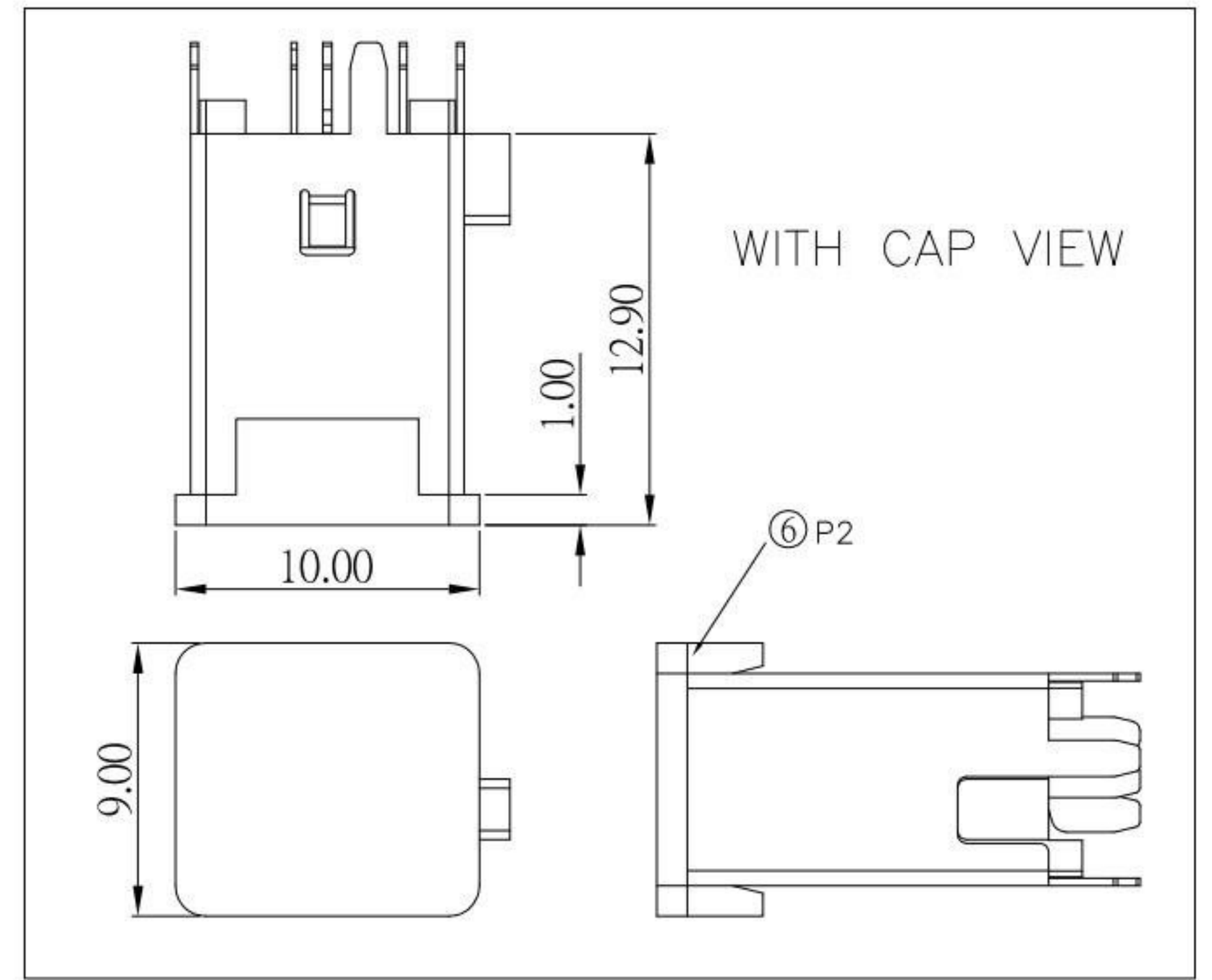


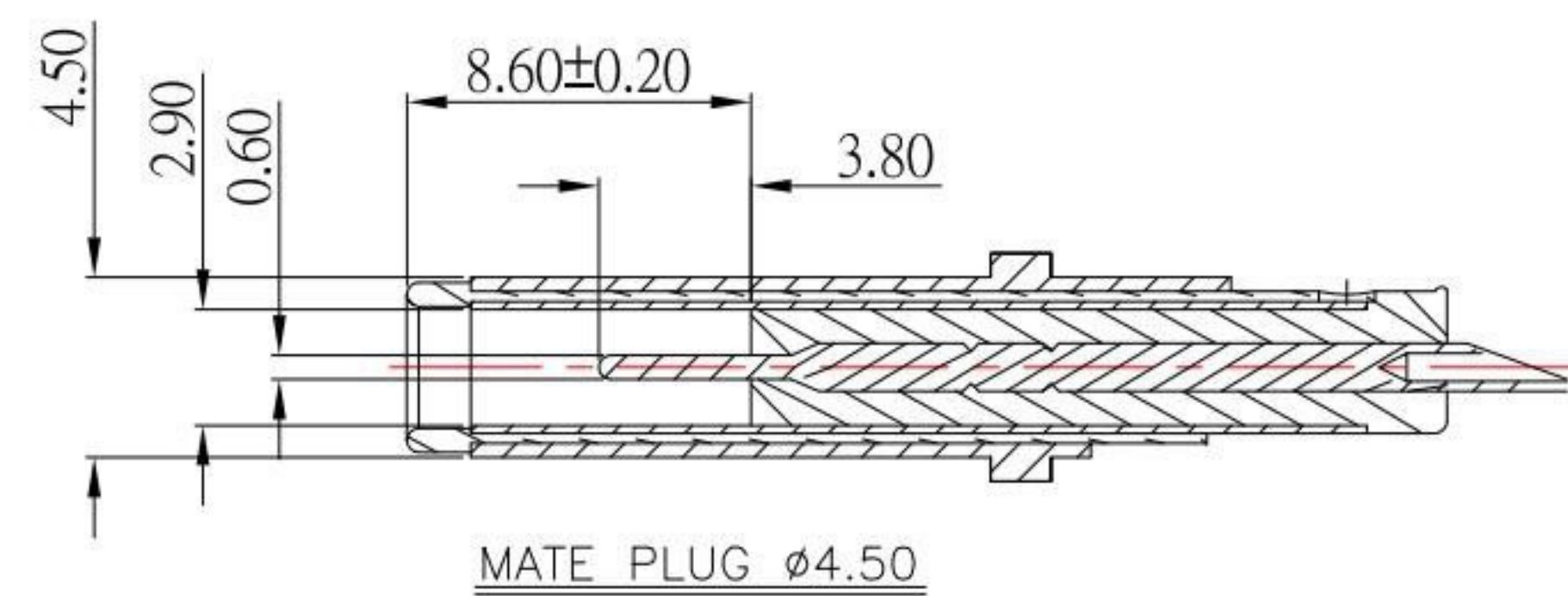
DATE CODE:  
YYMMDD  
YY:YEAR(15~)  
MM:MONTH(01~12)  
DD:DAY(01~31)



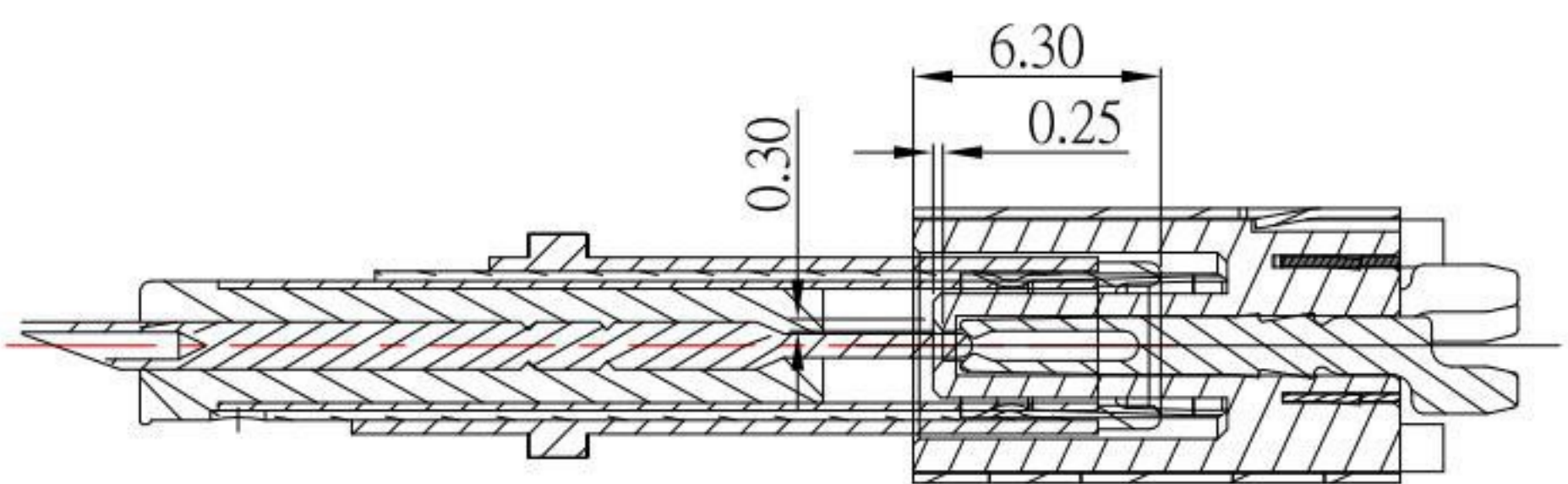
P.C.B LAYOUT  
TOP VIEW



SCHEMATIC	
	M2 (SPRING PIN)
	M1 (SIGNAL PIN)
	M3 (SPRING PIN)



MATE PLUG  $\phi 4.50$



MATCHED

**SPECIFICATION**

1. Rating : DC 30V, 8.0A
2. Contact resistance :  $\leq 30m\Omega$
3. Insulation resistance :  $\geq 100M\Omega$
4. Withstand voltage : 500VAC
5. Insertion and extraction force : 2-30N
6. life test : 5,000 cycles

NO.	DESCRIPTION	QTY	MATERIAL	PLATING
⑥	CAP	1	PA10T	
⑤	M3 SPRING	1	PHOSPHOR BRONZE	Au+Ni-Plating
④	M2 SPRING	1	PHOSPHOR BRONZE	Au+Ni-Plating
③	M1 SIGNAL	1	PHOSPHOR BRONZE	Au+Ni-Plating
②	SHELL	1	SUS	Ni-Plating
①	HOUSING	1	PA10T	

**KSD** 科斯达电子科技有限公司  
SWITCH CONNECTOR KSD ELECTRONIC TECHNOLOGY Co., LTD  
全球 互联零组件制造企业

TOLERANCE UNLESS OTHERWISE STATED:	Up to 5 ±0.2 Above 5 ~ 15 ±0.3 Above 15 ~ 30 ±0.4 Above 30 ~ 50 ±0.5 Angle ±0.3°	3RD. ANGEL'S	UNITS	MM
------------------------------------	--	--------------	-------	----

DRAWN BY:	DATE	MAT'L	TITLE	JACK
Jack Lu	10/31/19		MODLE	DC JACK
CHECKED BY:	DATE	FINISH	DWG NO.	DC-D287AVH-0.6-S214
Jacky Chen	10/31/19		SHEET NO.	1 of 1
APPROVED BY:	DATE	SCALE	PART NO.	DC-D287AVH-0.6-S214
Tony Kao	10/31/19	1:1		

ITEM NO.	DESCRIPTION	DRAWN	DATE