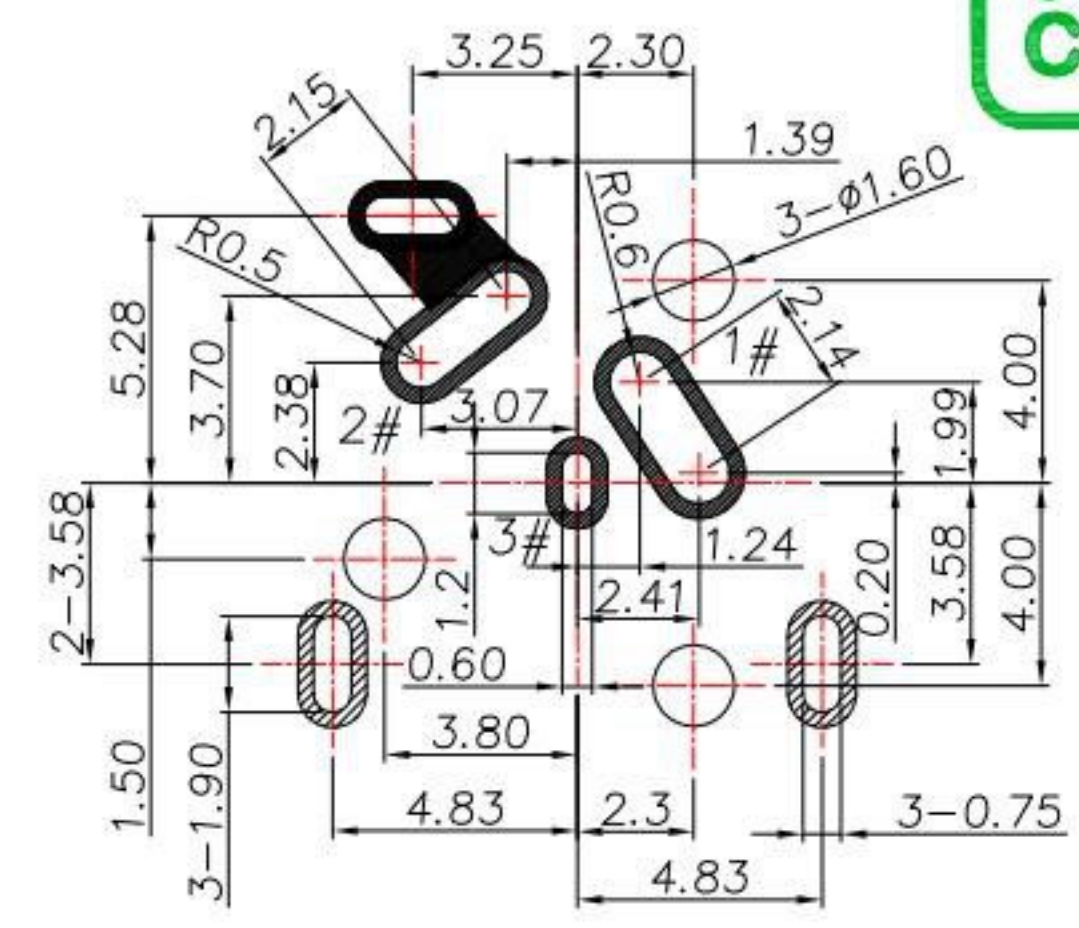
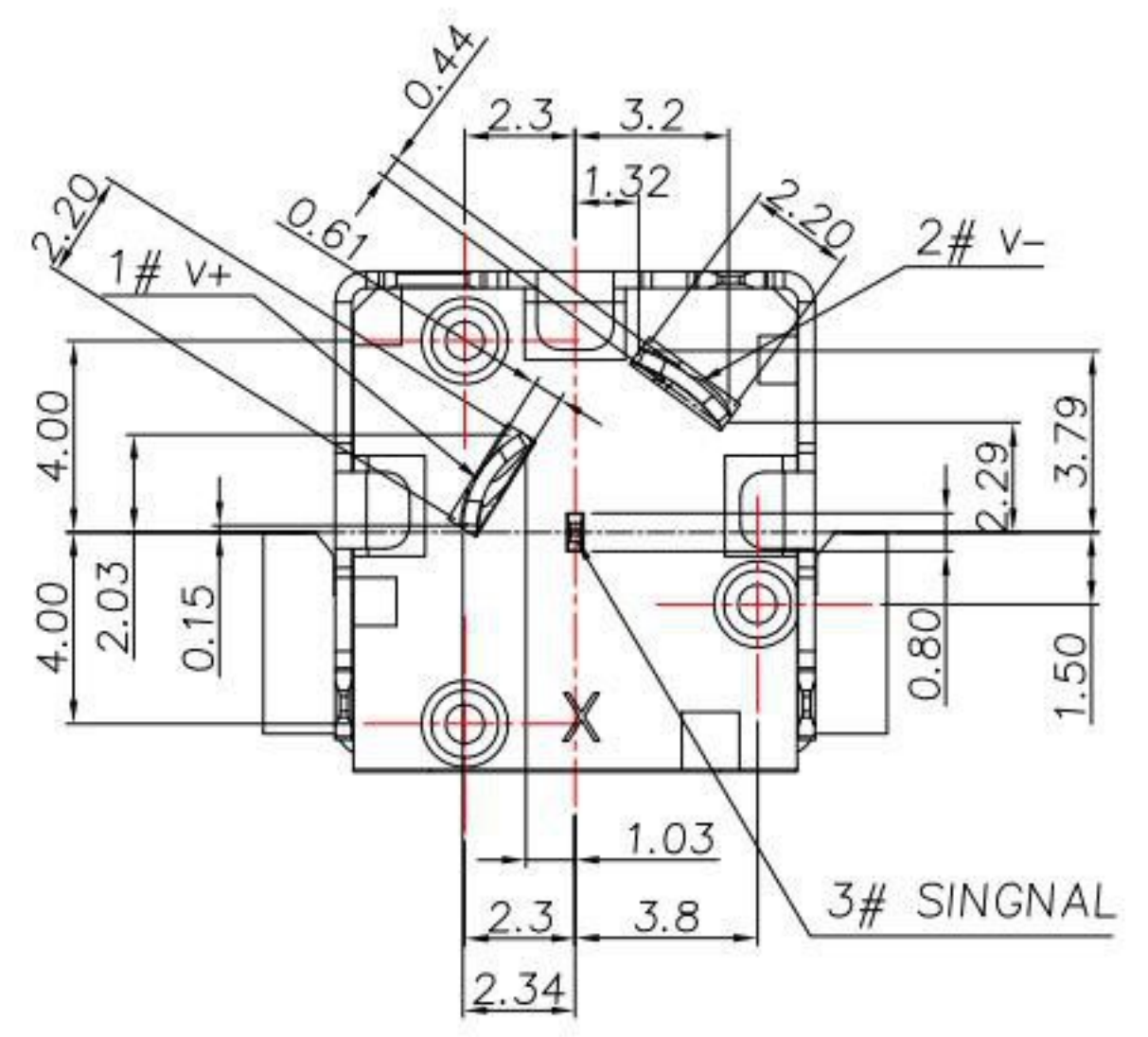
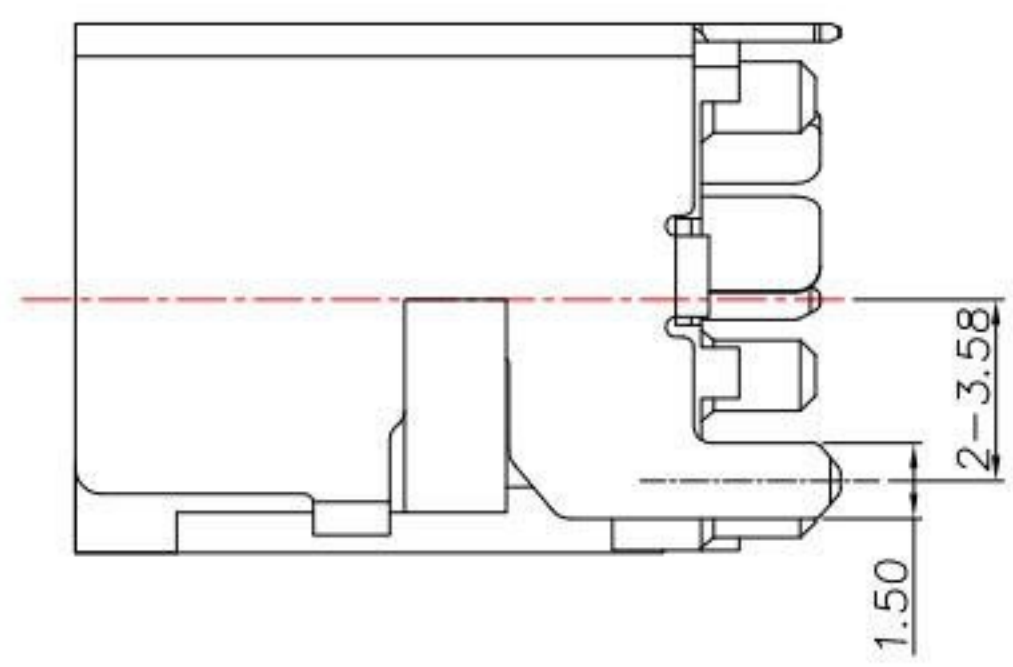
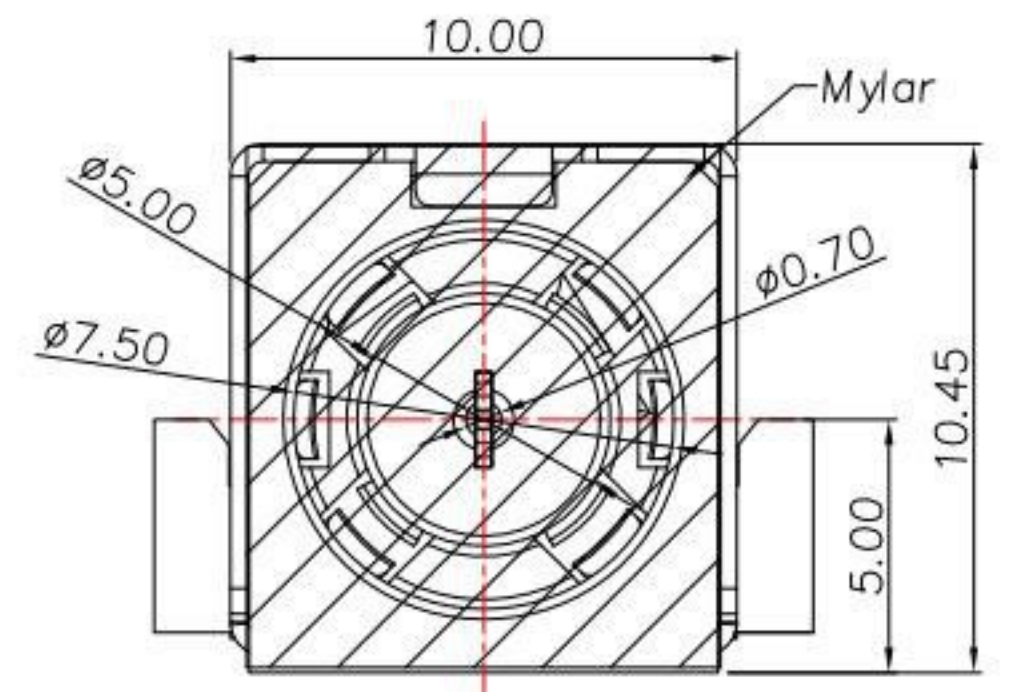


REFERENCE DRAWING (PLUG)



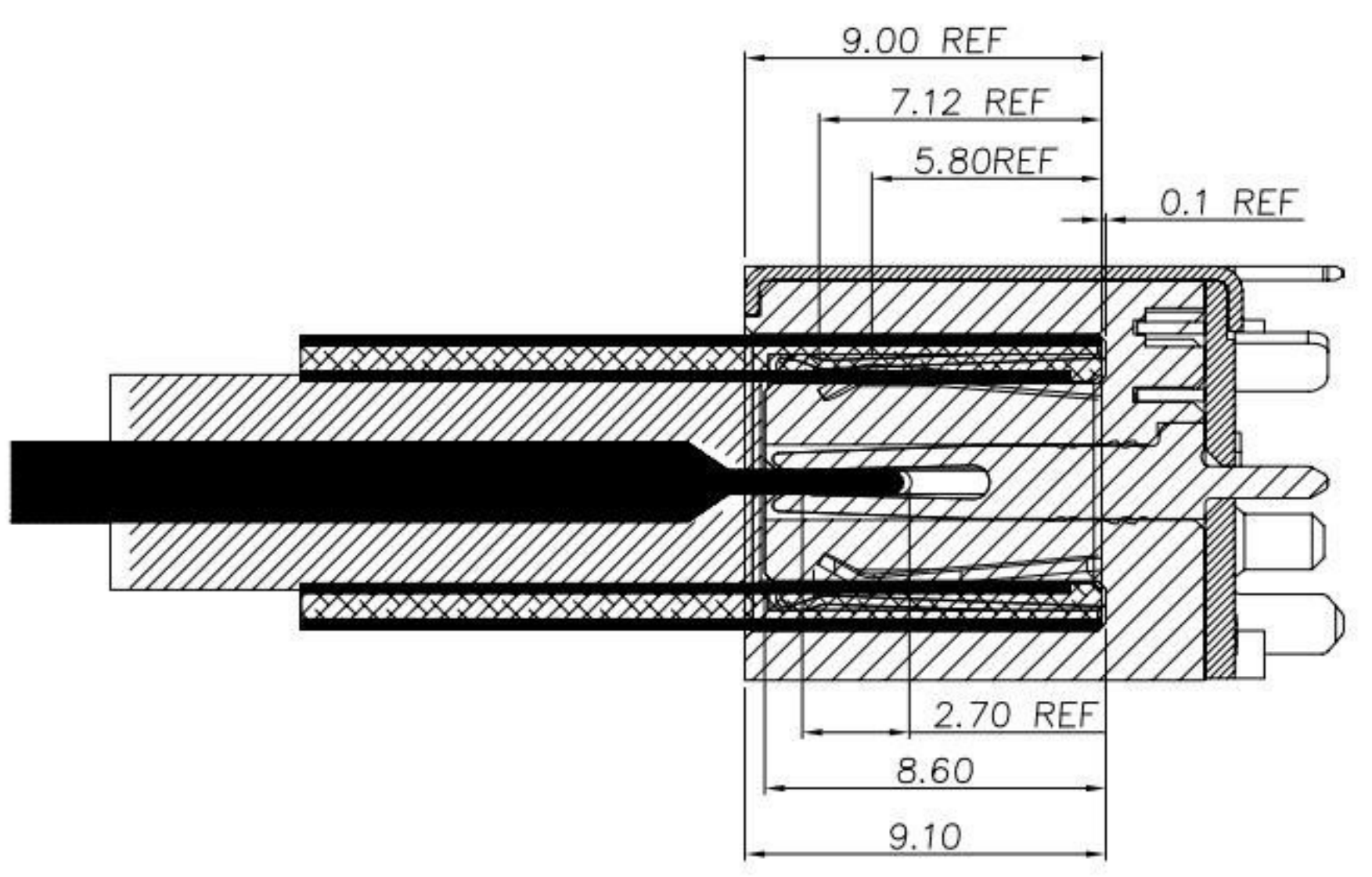
P.C.B LAYOUT TOP VIEW



SCHEMATIC	
○	2# v-
○	1# v+
○	3# SIGNAL

SPECIFICATION

1. Rating : DC 30V, 5.0A
2. Contact resistance :  $\leq 30m\Omega$
3. Insulation resistance :  $\geq 100M\Omega$
4. Withstand voltage : 150VAC
5. Insertion and extraction force : 7-30N
6. life test : 5,000 cycles



NO.	DESCRIPTION	QTY	MATERIAL	PLATING
⑥	MYLAR	1	PET	
⑤	HOUSING	1	PA10T	
④	SHELL	1	BRASS	Ni-Plating
③	CONTACT 3	1	PHOSPHOR BRONZE	Au+Ni-Plating
②	CONTACT 2	1	PHOSPHOR BRONZE	Au+Ni-Plating
①	CONTACT 1	1	PHOSPHOR BRONZE	Au+Ni-Plating

**KSD** 科斯达电子科技有限公司  
 SWITCH CONNECTOR KSD ELECTRONIC TECHNOLOGY Co., LTD  
 全球 互联零组件制造企业

TOLERANCE UNLESS OTHERWISE STATED:  
 Up to 5 ±0.2  
 Above 5 ~ 15 ±0.3  
 Above 15 ~ 30 ±0.4  
 Above 30 ~ 50 ±0.5  
 Angle ±0.3°

3RD. ANGEL'S

UNITS MM

DRAWN BY:	DATE	MAT'L	TITLE	JACK
Jack Lu	10/31/19		MODLE	DC JACK
CHECKED BY:	DATE	FINISH	DWG NO.	DC-D3021VH-0.6-S214
Jacky Chen	10/31/19		SHEET NO.	1 of 1
APPROVED BY:	DATE	SCALE	PART NO.	DC-D3021VH-0.6-S214
Tony Kao	10/31/19	1:1		

ITEM NO.	DESCRIPTION	DRAWN	DATE