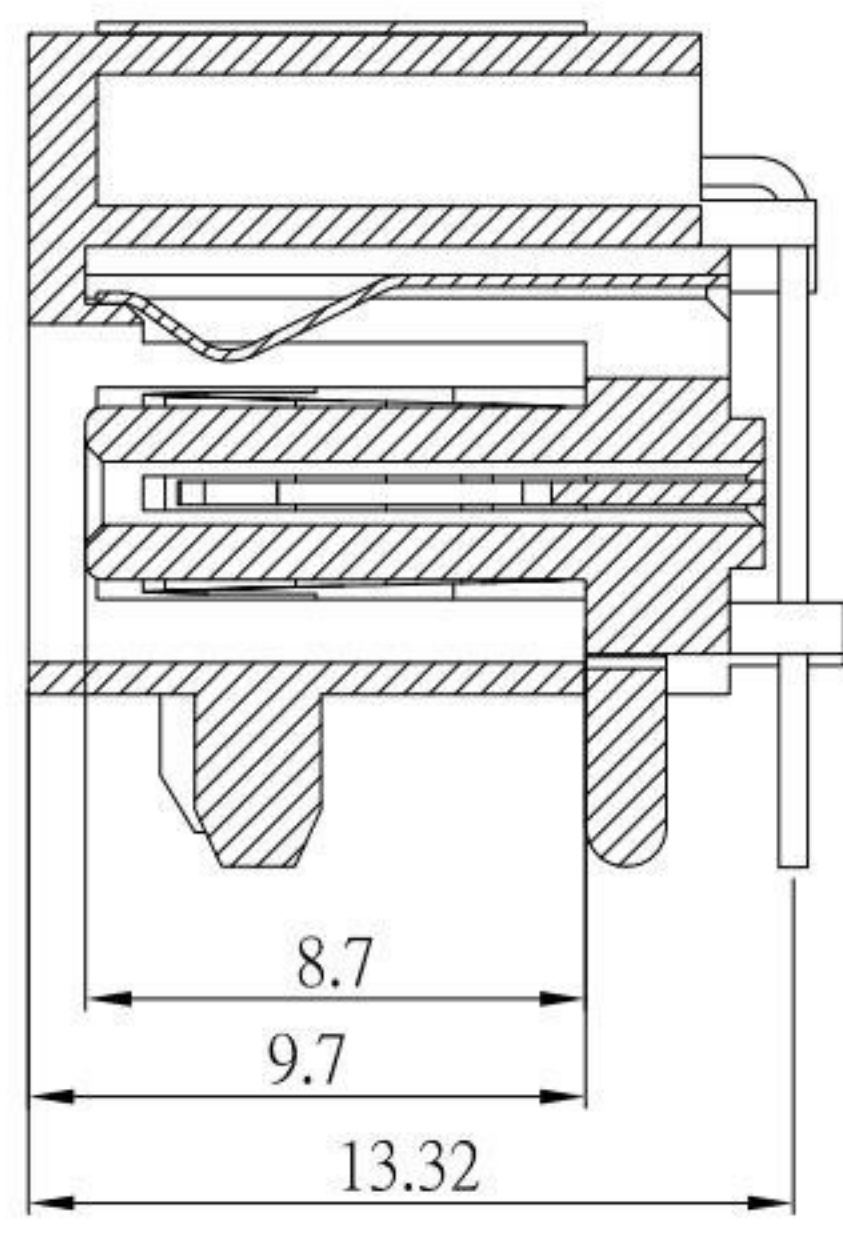
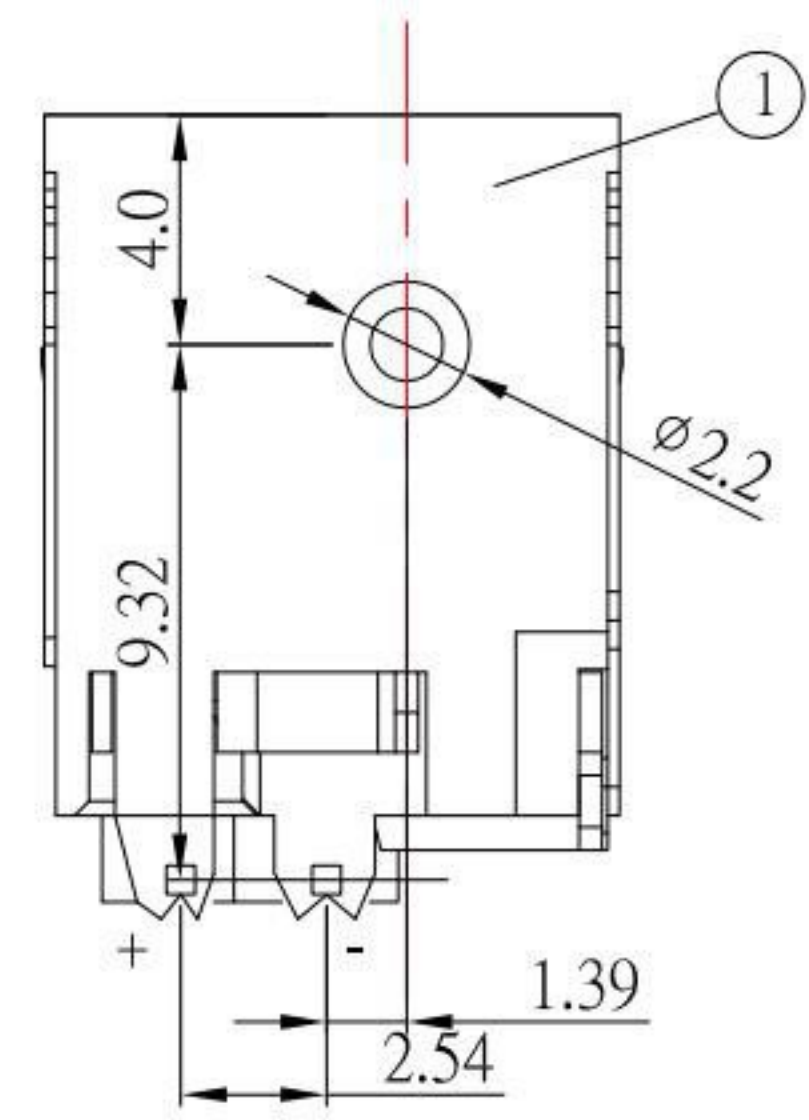
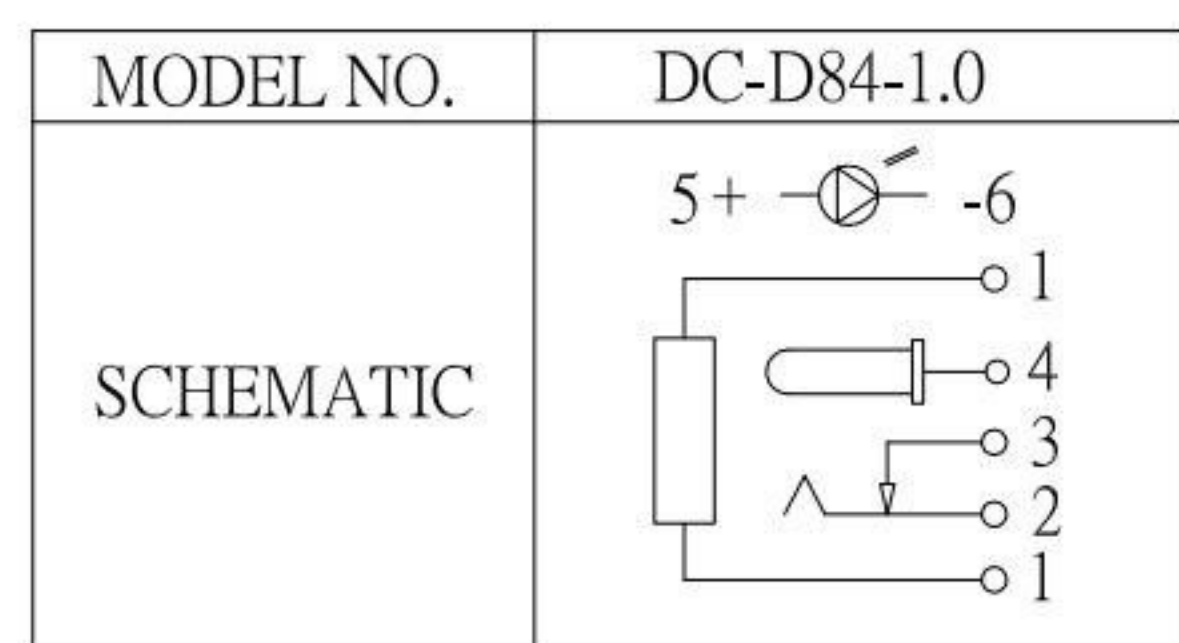


PCB LAYOUT (TOP VIEW)

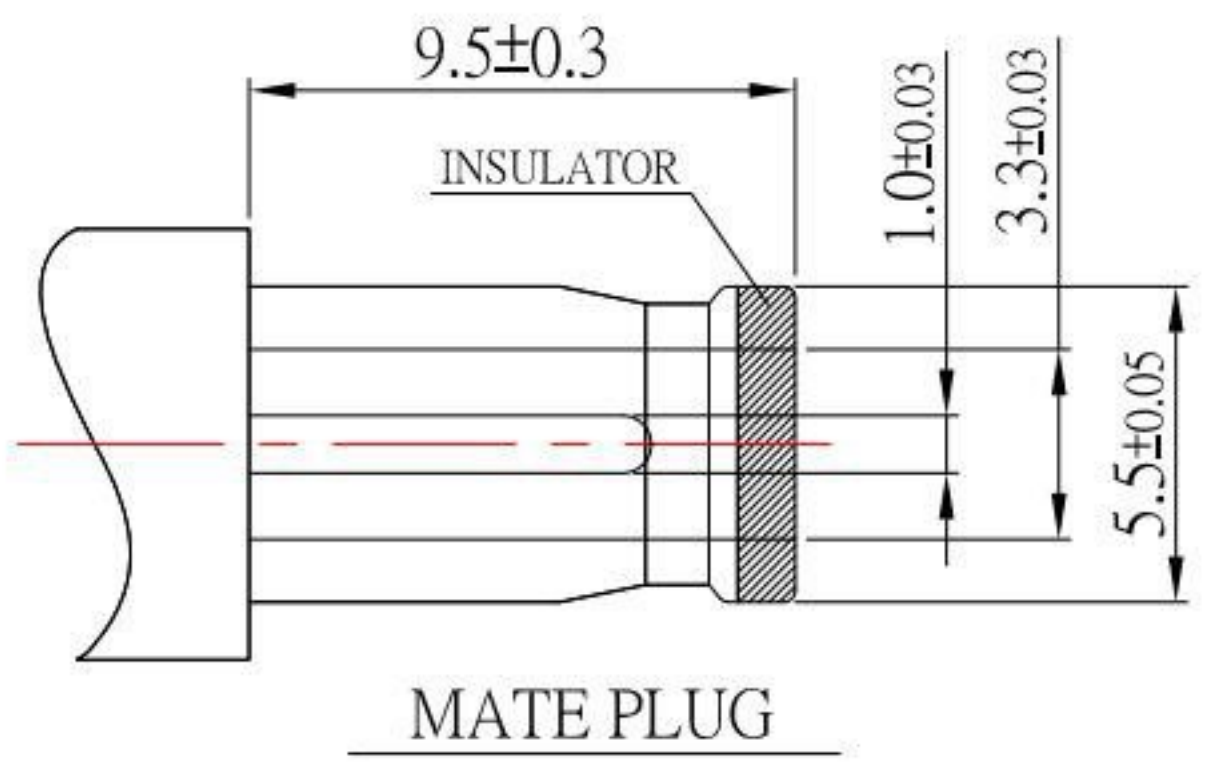


SEC A-A



SPECIFICATION

- 1.Rating : DC 24V , 5.0A ;
- 2.Contact resistance : $\leq 30m\Omega$;
- 3.Insulation resistance : $\geq 100M\Omega$;
- 4.Withstand voltage : 500VAC ;
- 5.Insertion and extraction force : 3-30N;
- 6.life test : 5,000 cycles °



MATE PLUG

NO.	DESCRIPTION	QTY	MATERIAL	PLATING
⑦	LED(Green)	1		
⑥	SHIELD	1	BRASS	Sn-Plating
⑤	CARTM TERNINAL	1	PHOSPHOR BRONZE	Sn-Plating
④	CENTER TERNINAL	1	PHOSPHOR BRONZE	Sn-Plating
③	FIX TERNINAL	1	BRASS	Sn-Plating
②	SPRING TERNINAL	1	PHOSPHOR BRONZE	Sn-Plating
①	HOUSING	1	PA66(Black)	

KSD 科斯达电子科技有限公司
 SWITCH CONNECTOR KSD ELECTRONIC TECHNOLOGY Co., LTD
 全球 互联零组件制造企业

TOLERANCE UNLESS OTHERWISE STATED:
 Up to 5 ±0.2
 Above 5 ~ 15 ±0.3
 Above 15 ~ 30 ±0.4
 Above 30 ~ 50 ±0.5
 Angle ±0.3°

3RD. ANGEL'S

UNITS MM

DRAWN BY:	DATE	MAT'L	TITLE	JACK
Jack Lu	08/21/20			
CHECKED BY:	DATE	FINISH	MODLE	DC JACK
Jacky Chen	07/15/19			
APPROVED BY:	DATE	SCALE	DWG NO.	DC-D84-1.0-S427
Tony Kao	07/15/19	1 : 1		
		SHEET NO.	PART NO.	DC-D84-1.0-S427
		1 of 1		

ITEM NO.	DESCRIPTION	DRAWN	DATE