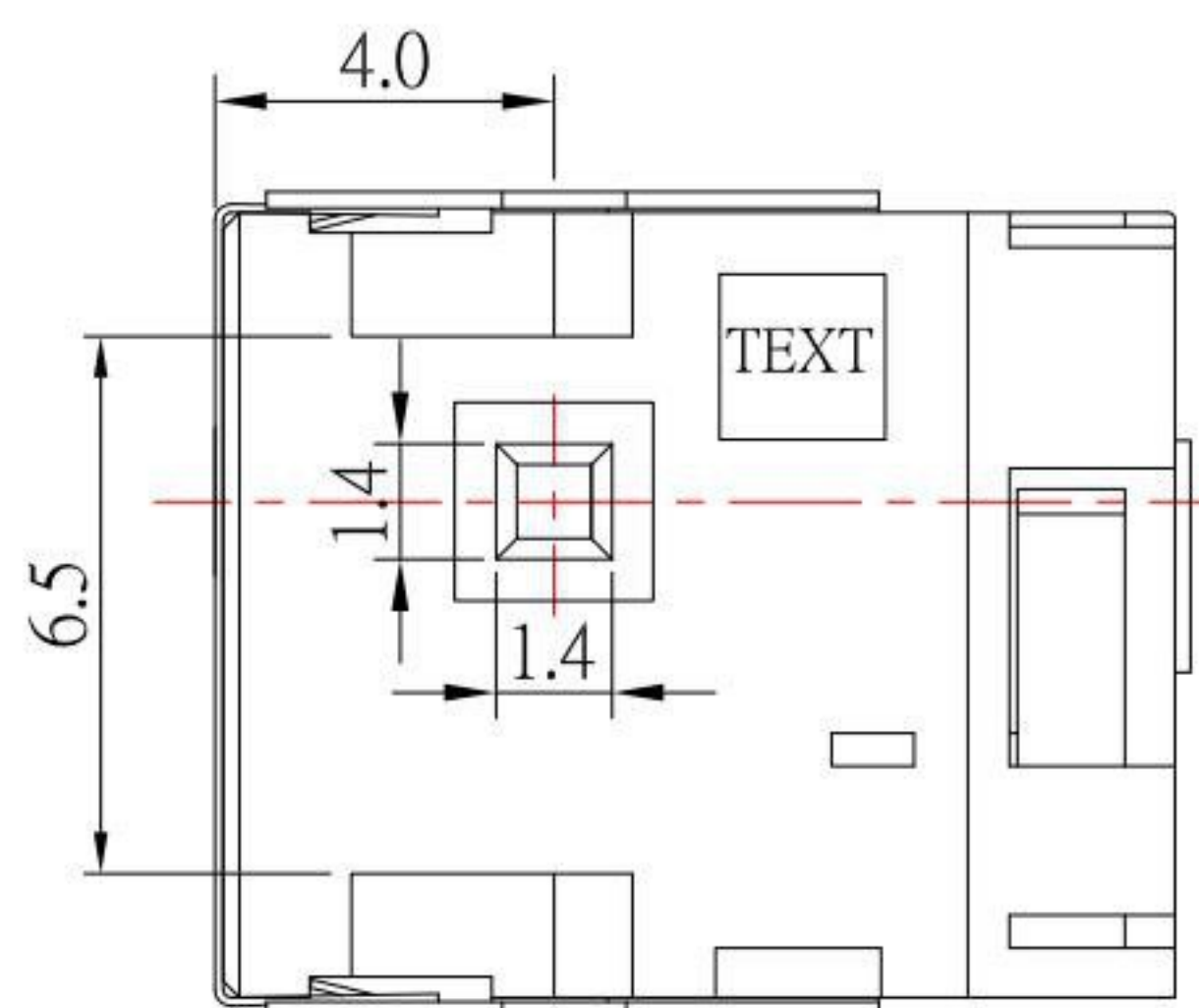
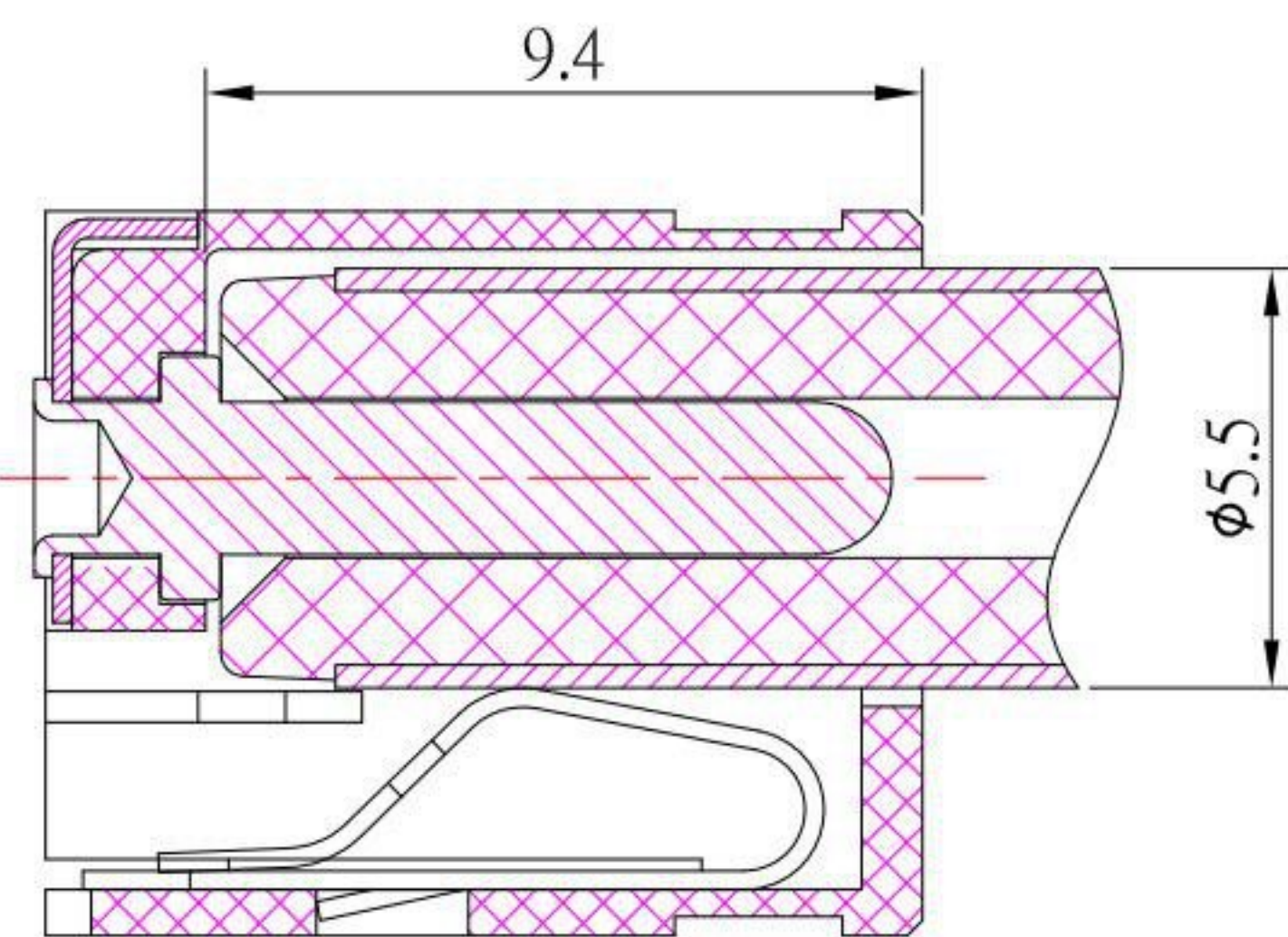
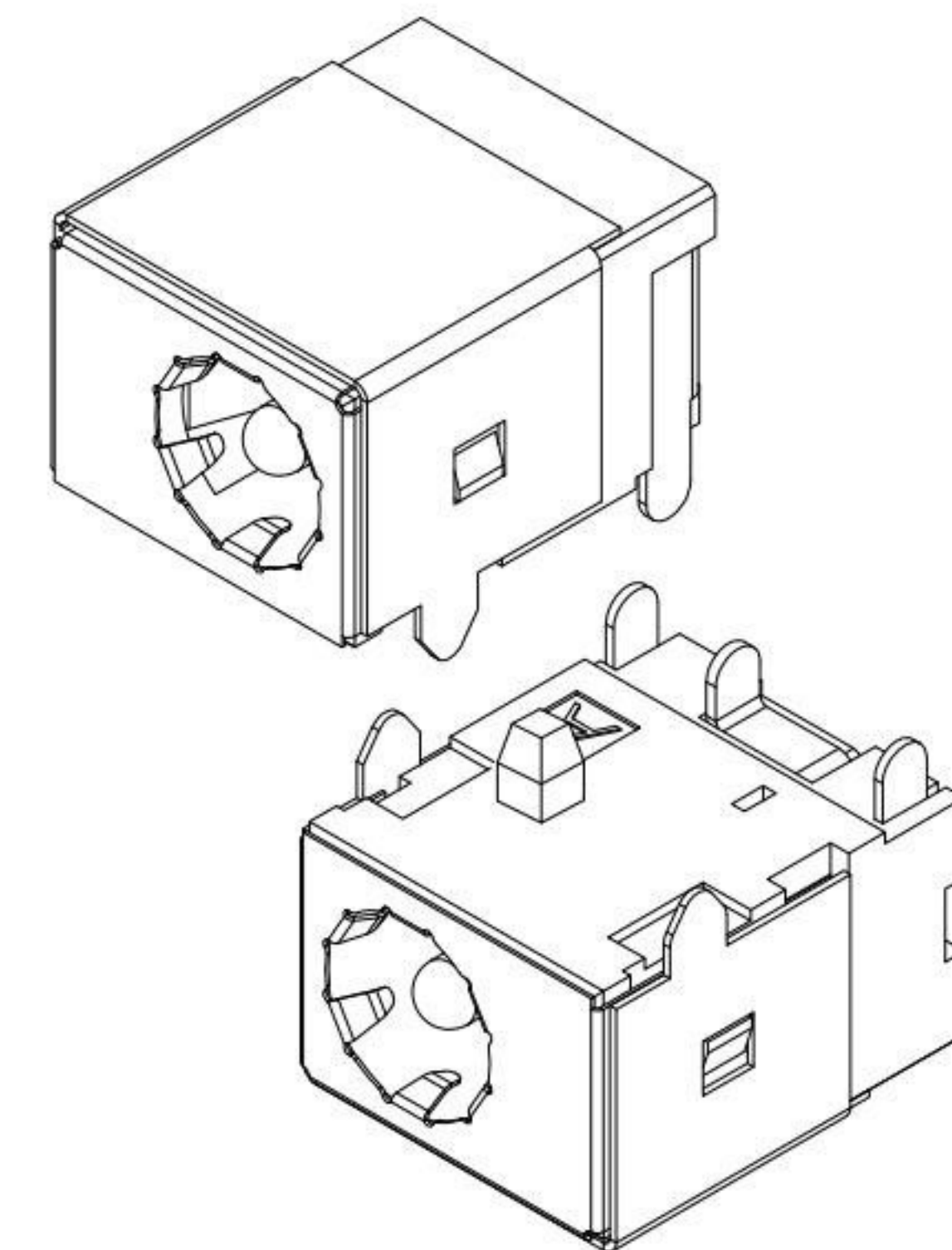


P.C.B LAYOUT
TOP VIEW



MODEL NO.	DC-S044KA-x-S124
SCHEMATIC	4 (5) 3 2
CENTER PIN	φ 2.0mm φ 2.5mm

SPECIFICATION

1. Rating : DC 30V 2.0A
2. Contact resistance : $\leq 50m\Omega$
3. Insulation resistance : $\geq 100M\Omega$
4. Withstand voltage : 500VAC
5. Insertion and extraction force : 5-25N
6. life test : 5,000 cycles

NO.	DESCRIPTION	QTY	MATERIAL	PLATING
⑦	COVER	1	SUS301	Ni-Plating
⑥	CONTACT FOOT	1	PHOSPHOR BRONZE	Ag-Plating
⑤	PIN	1	BRASS	Ni-Plating
④	CONTACT FOOT	1	BRASS	Ag-Plating
③	CURVE PIECE	1	BRASS	Ag-Plating
②	SPRING PIECE	1	SUS301	Ag-Plating
①	HOUSING	1	PA9T	

KSD 科斯达电子科技有限公司
SWITCH CONNECTOR KSD ELECTRONIC TECHNOLOGY Co., LTD
全球 互联零组件制造企业

TOLERANCE UNLESS OTHERWISE STATED :
Up to 5 ±0.2
Above 5 ~ 15 ±0.3
Above 15 ~ 30 ±0.4
Above 30 ~ 50 ±0.5
Angle ±0.3°

3RD. ANGEL'S

UNITS MM

DRAWN BY:	DATE	MAT'L	TITLE	JACK
Jack Lu	04/22/19		MODLE	DC JACK
CHECKED BY:	DATE	FINISH	DWG NO.	DC-S044KA-x-S124
Jacky Chen	04/22/19		PART NO.	DC-S044KA-x-S124
APPROVED BY:	DATE	SCALE	1 : 1	
Tony Kao	04/22/19	SHEET NO.	1 of 1	

ITEM NO.	DESCRIPTION	DRAWN	DATE
2	更新樣式	Lan	042219
1	更新為A0版	Jack	120716