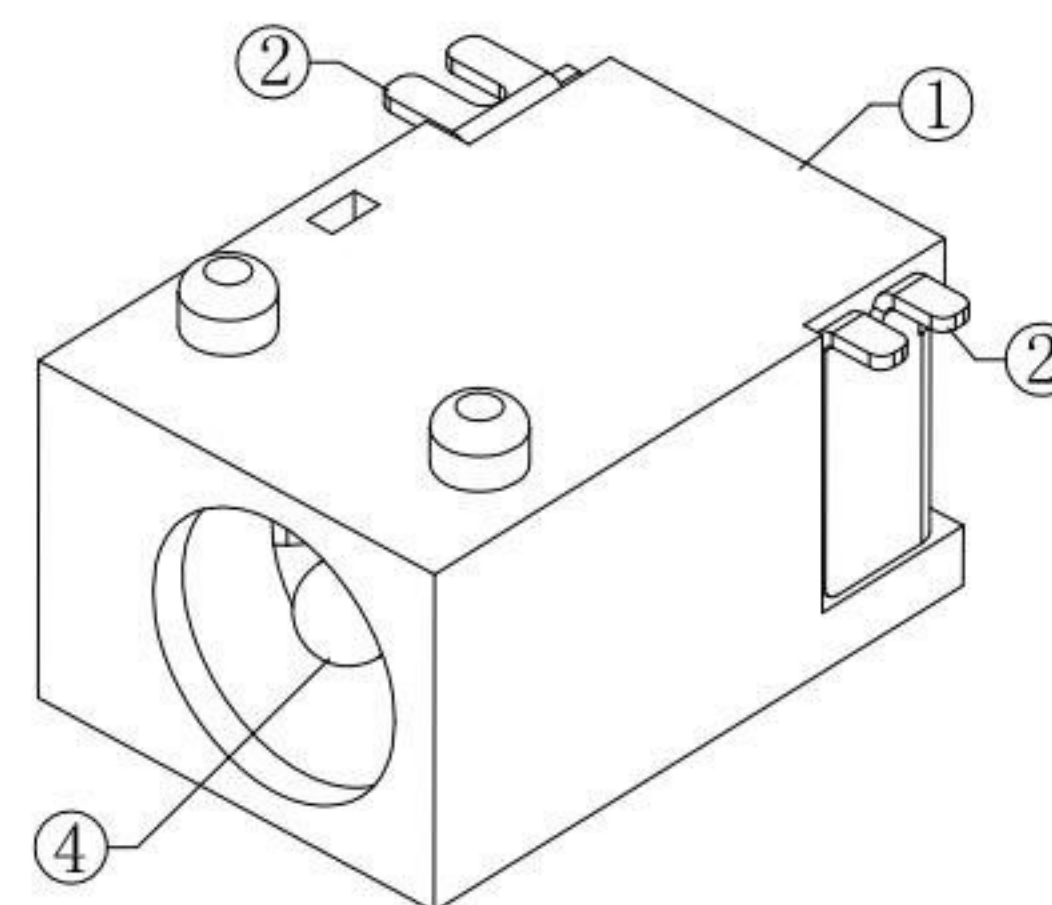
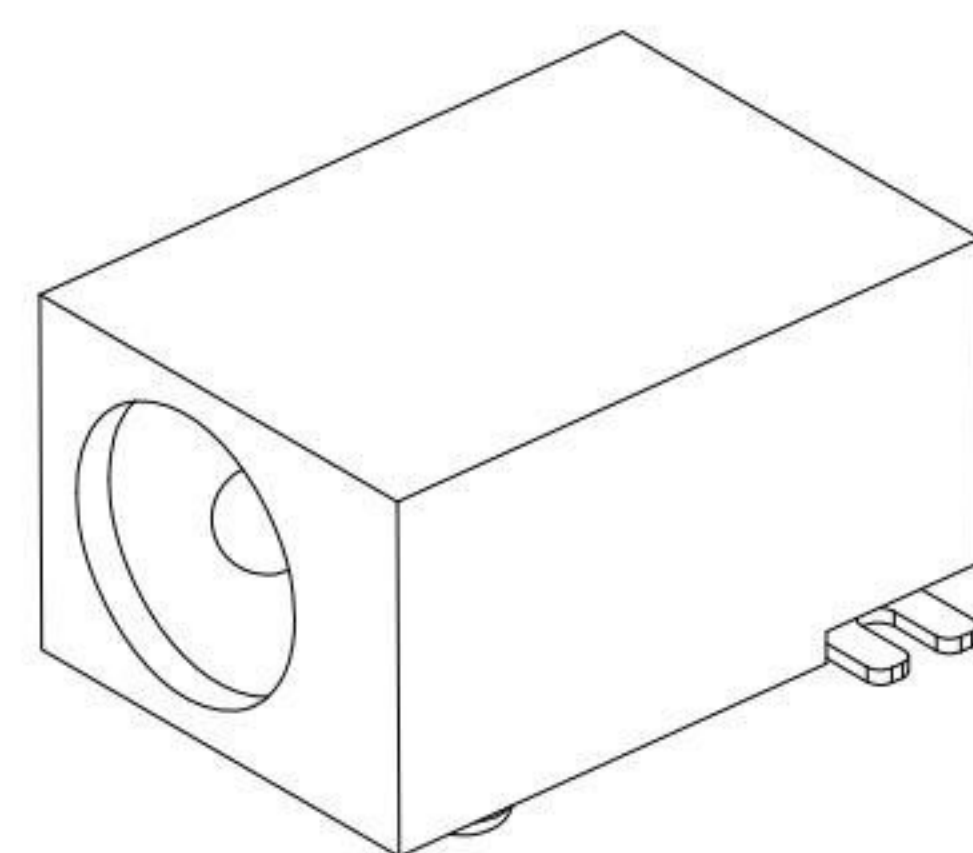
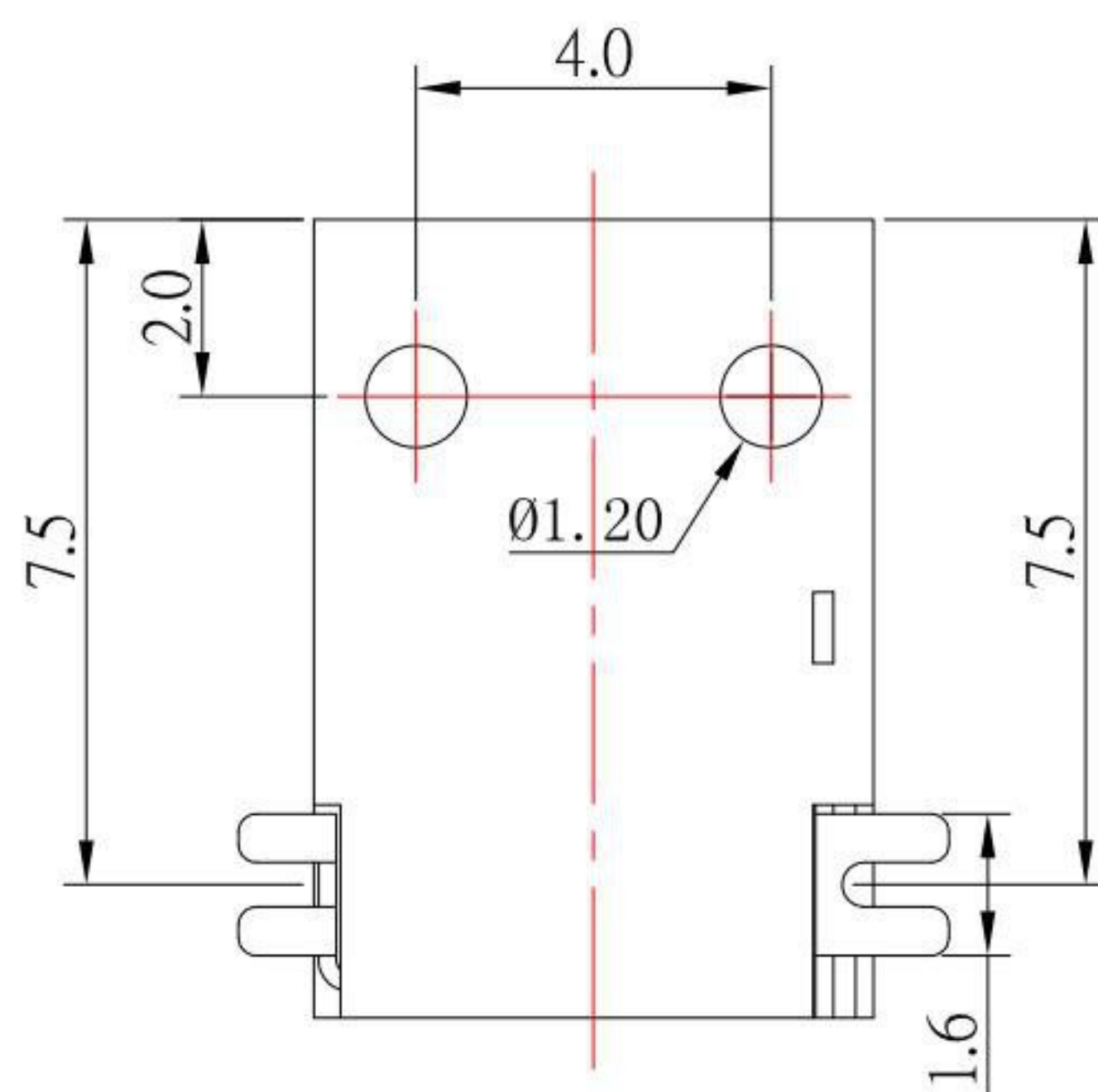


P.C.B LAYOUT
TOP VIEW



SPECIFICATION

1. Rating : DC 30V 2.0A ;
2. Contact resistance : $\leq 30m\Omega$;
3. Insulation resistance : $\geq 100M\Omega$;
4. Withstand voltage : 500VAC ;
5. Insertion and extraction force : 3-20N
6. life test : 5,000 cycles ◦

MODEL NO.	DC-S047-x-S124
SCHEMATIC	3 (4) 2
CENTER PIN	$\phi 1.00$ mm
	$\phi 1.30$ mm

NO.	DESCRIPTION	QTY	MATERIAL	PLATING
4	PIN	1	BRASS	Ni-Plating
3	CURVE PIECE	1	BRASS	Ag-Plating
2	SPRING PIECE	1	SUS301	Ag-Plating
1	HOUSING	1	PPA	

KSD 科斯达电子科技有限公司
SWITCH CONNECTOR KSD ELECTRONIC TECHNOLOGY Co., LTD
全球 互联零组件制造企业

TOLERANCE UNLESS OTHERWISE STATED :
Up to 5 ± 0.2
Above 5 ~ 15 ± 0.3
Above 15 ~ 30 ± 0.4
Above 30 ~ 50 ± 0.5
Angle $\pm 0.3^\circ$

3RD. ANGEL'S
UNITS MM

DRAWN BY:	DATE	MAT'L	TITLE	JACK
Jack Lu	02/21/17		JACK	
CHECKED BY:	DATE	FINISH	MODLE	DC JACK
Jacky Chen	02/21/17			
APPROVED BY:	DATE	SCALE	DWG NO.	DC-S047-x-S124
Tony Kao	02/21/17	1 : 1		
SHEET NO.	1 of 1	PART NO.	DC-S047-x-S124	

1 更新為A0版 Jack 022117
ITEM NO. DESCRIPTION DRAWN DATE

SIZE
A4
VER
A0