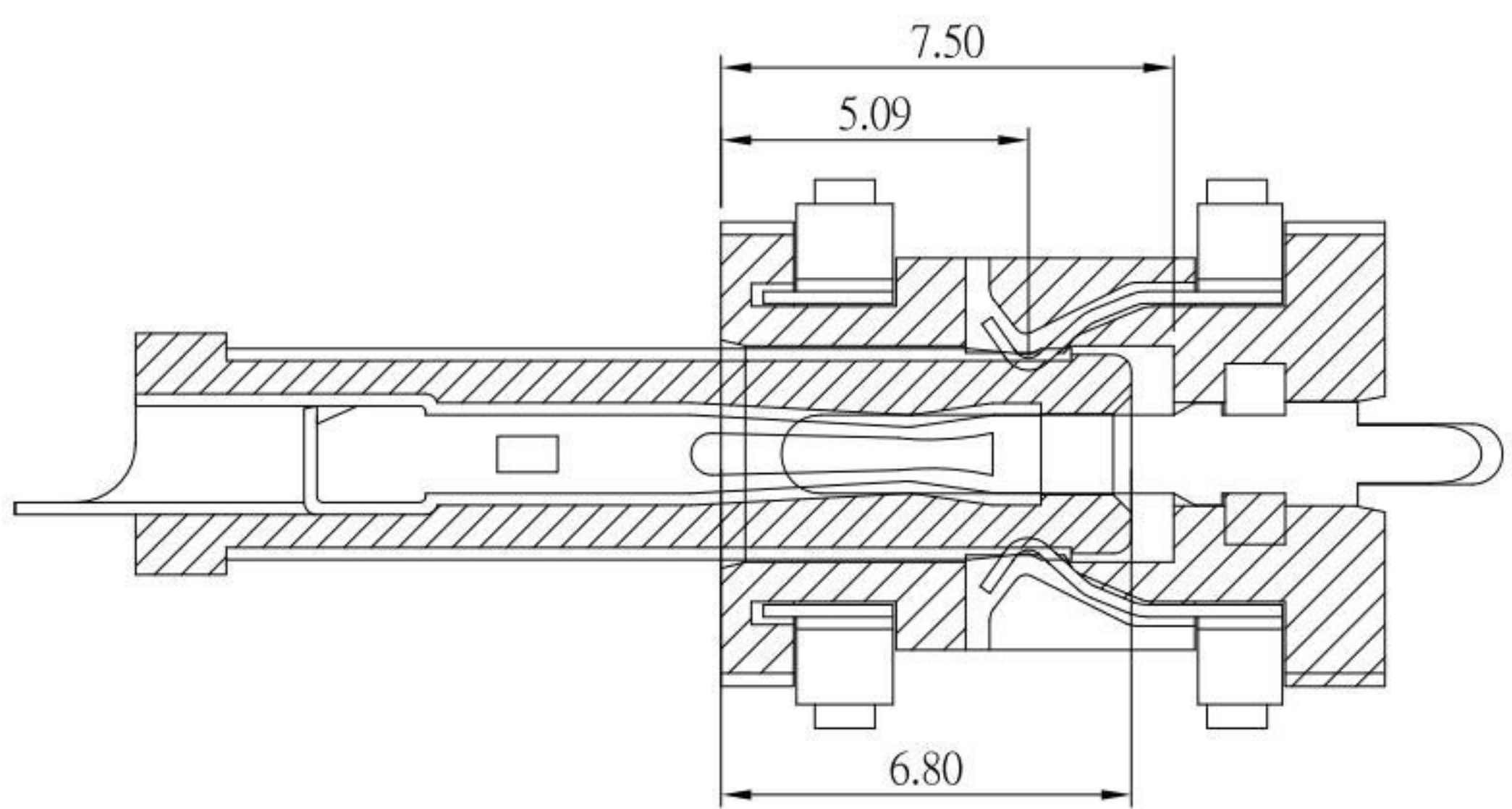
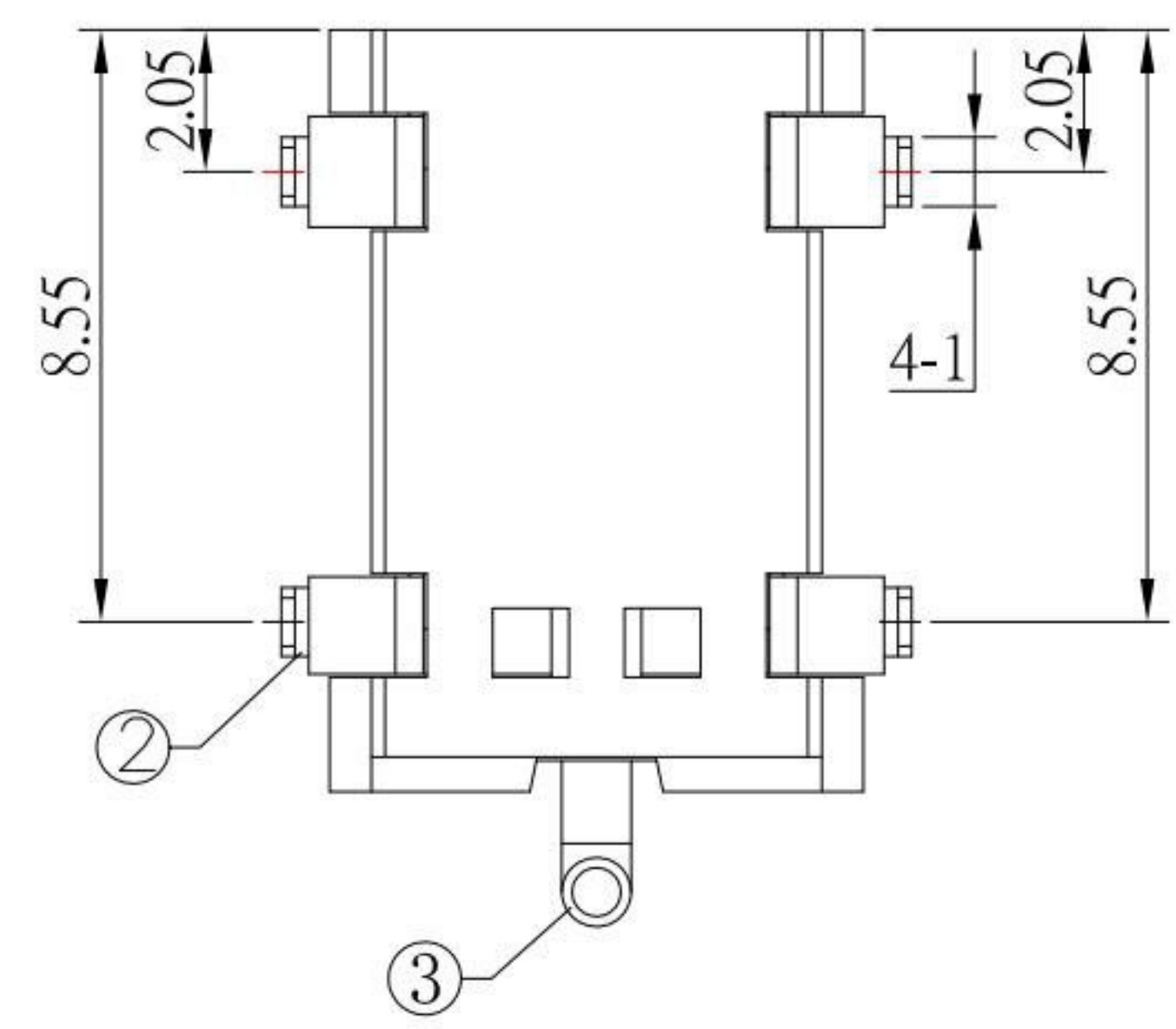


P.C.B LAYOUT (TOP VIEW)



SPECIFICATION

- 1.Rating : DC 30V, 3.0A ;
- 2.Contact resistance : ≤30mΩ ;
- 3.Insulation resistance : ≥100MΩ ;
- 4.Withstand voltage : 500VAC ;
- 5.Insertion and extraction force : 3-20N;
- 6.life test : 5,000 cycles °

MODEL NO.	DC-S158-1.3
SCHEMATIC	

NO.	DESCRIPTION	QTY	MATERIAL	PLATING
3	PIN	1	BRASS	Au-Plating
2	SPRING PIECE	1	PHOSPHOR BRONZE	Au-Plating
1	HOUSING	1	PPA	

**KSD** 科斯达电子科技有限公司  
 SWITCH CONNECTOR KSD ELECTRONIC TECHNOLOGY Co., LTD  
 全球 互联零组件制造企业

TOLERANCE UNLESS OTHERWISE STATED:  
 Up to 5 ±0.2  
 Above 5 ~ 15 ±0.3  
 Above 15 ~ 30 ±0.4  
 Above 30 ~ 50 ±0.5  
 Angle ±0.3°

3RD. ANGEL'S UNITS MM

DRAWN BY: Jack Lu	DATE: 01/06/21	MAT'L	TITLE	JACK
CHECKED BY: Jacky Chen	DATE: 01/06/21	FINISH	MODLE	DC JACK
APPROVED BY: Tony Kao	DATE: 01/06/21	SCALE: 1:1	DWG NO.	DC-S158-1.3-S124
SHEET NO. 1 of 1		PART NO.	DC-S158-1.3-S124	SIZE: A4 VER: R3

ITEM NO.	DESCRIPTION	DRAWN	DATE
3	更新圖面	Jack	010621
2	新增尺寸	Jack	040918
1	更新料號及更新為A0版	Jack	120716