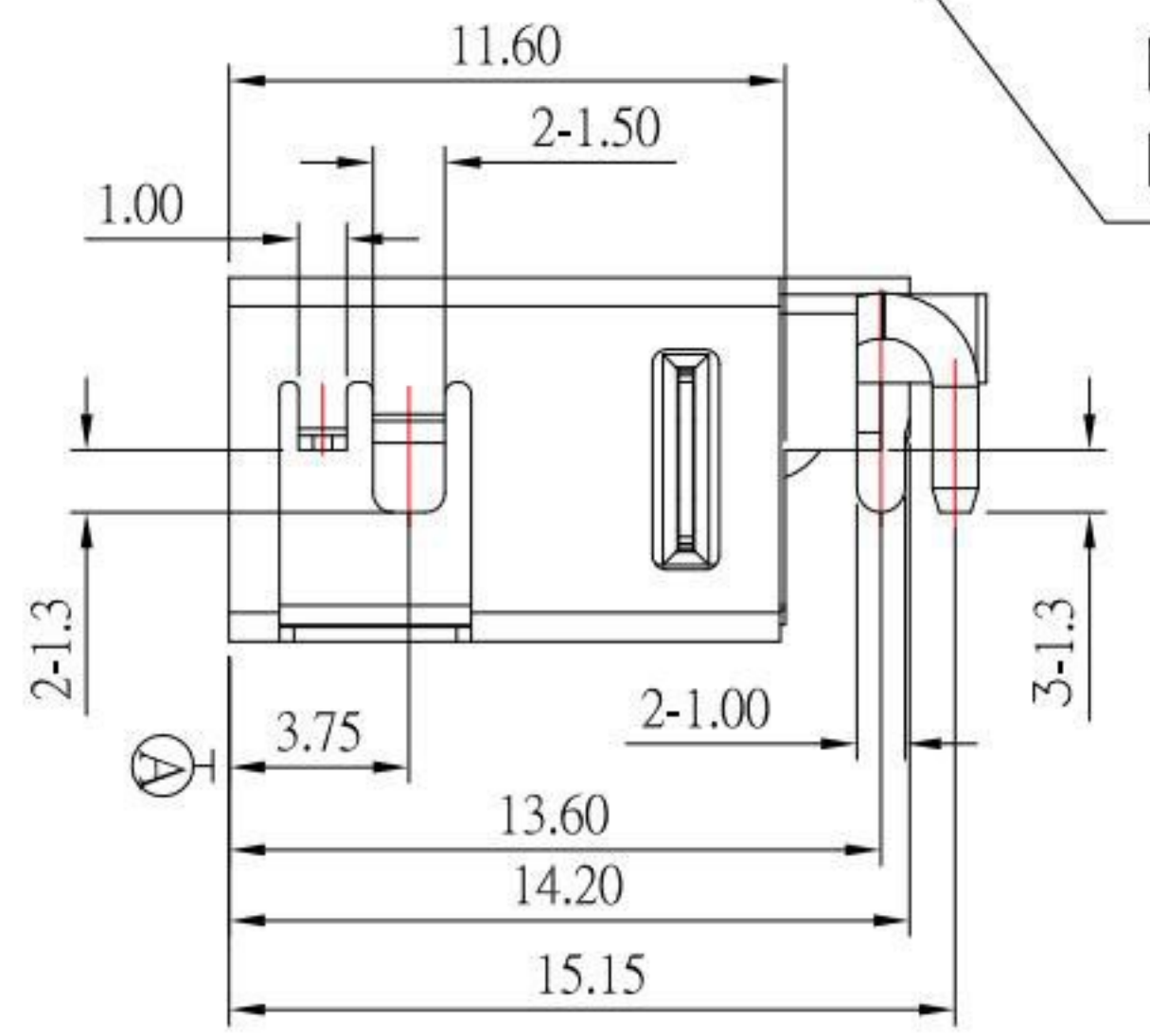
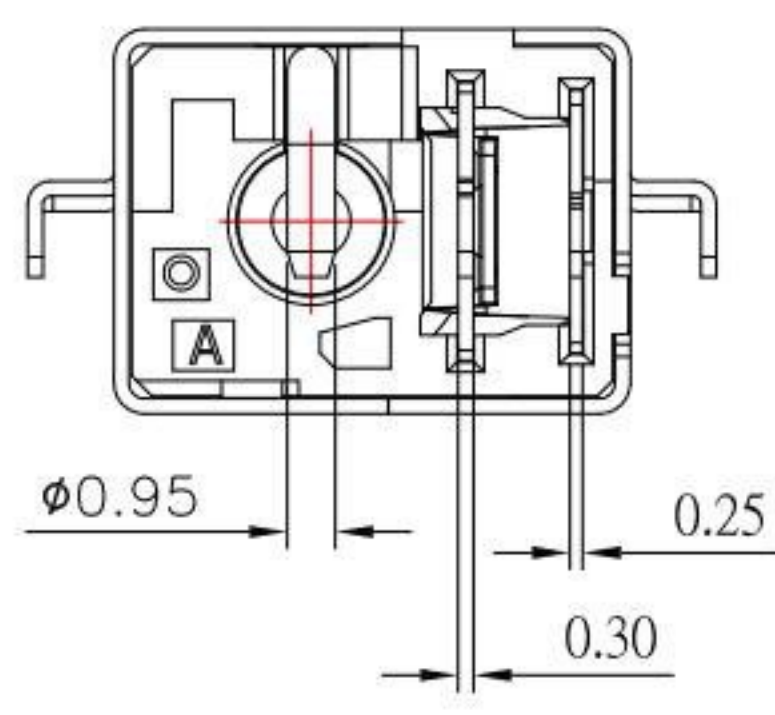


P.C.B LAYOUT MOUNTING PATTERN (TOP VIEW)

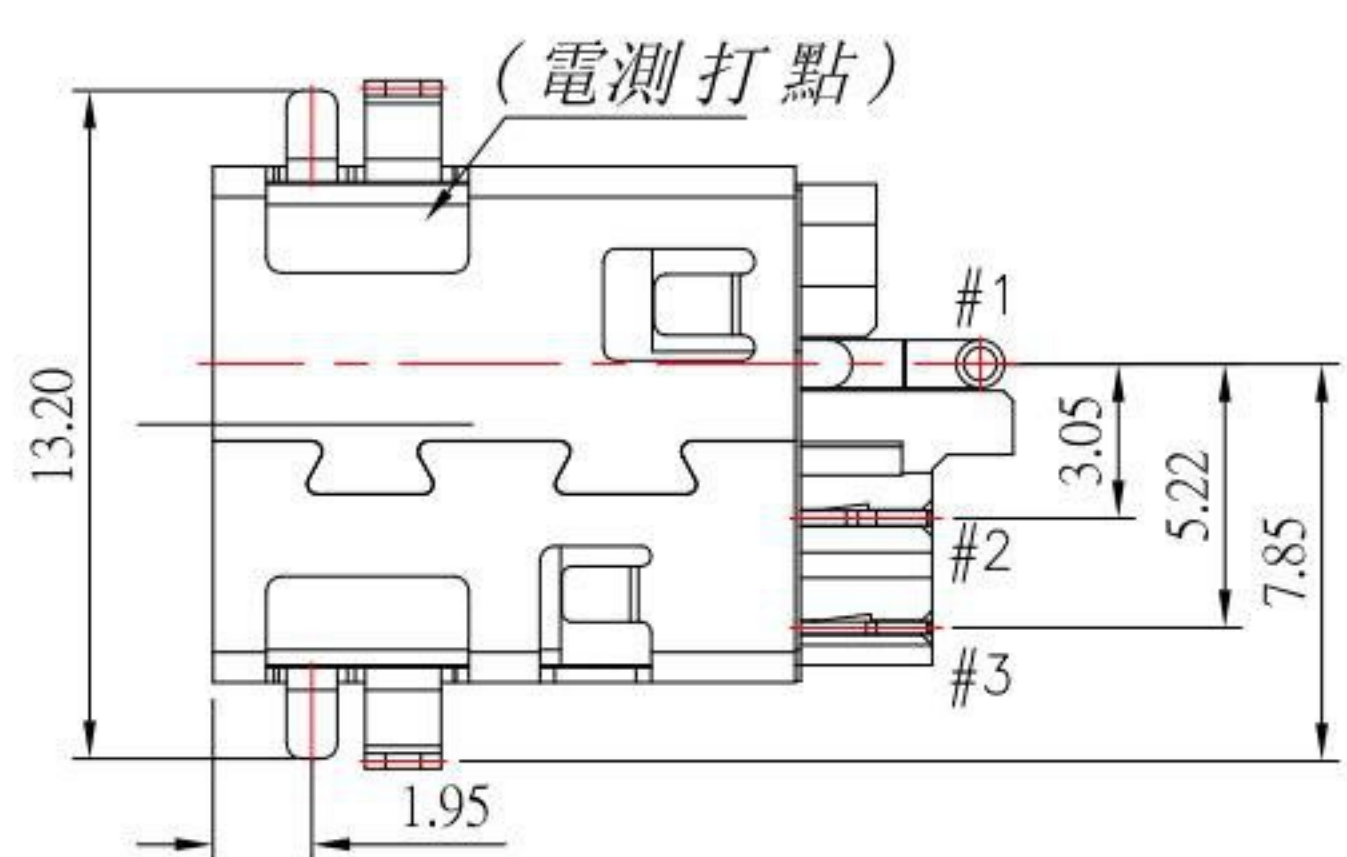
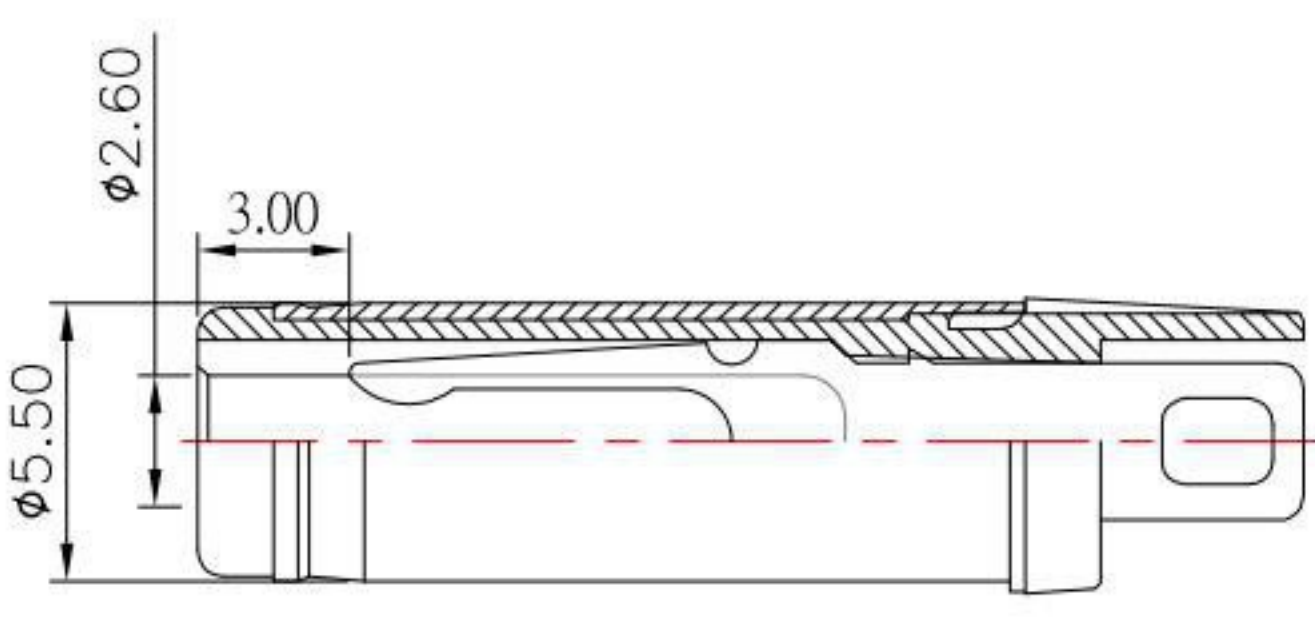
Date Code:YYMMDD
 YY: YEAR(17~XX)
 MM: MONTH(01~12)
 DD: DAY(01~31)



SPECIFICATION

- 1.Rating : DC 20V, 10.0A
- 2.Contact resistance : $\leq 30m\Omega$
- 3.Insulation resistance : $\geq 100M\Omega$
- 4.Withstand voltage : 500VAC
- 5.Insertion and extraction force : 3-30N
- 6.life test : 5,000 cycles °

MODEL NO.	DC-S3018H-x
SCHEMATIC	
CENTER PIN	$\phi 2.0$ mm
	$\phi 2.5$ mm

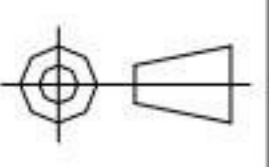


NO.	DESCRIPTION	QTY	MATERIAL	PLATING
6	TERMINAL	1	SUS	
5	AHELL	1	BRASS	Ni-Plating
4	CENTER PIN #1	1	H65	Ni/Gold-Plating
3	SHUNT TERMINAL #2	1	BRASS	Gold/Ni/Tin-Plating
2	TIP SPRING #3	1	PHOSPHOR BRONZE	Gold/Ni/Tin-Plating
1	HOUSING	1	LCP(Black)	

KSD 科斯达电子科技有限公司
 SWITCH CONNECTOR KSD ELECTRONIC TECHNOLOGY Co., LTD
 全球 互联网 零组件 制造企业

TOLERANCE UNLESS OTHERWISE STATED:
 Up to 5 ±0.2
 Above 5 ~ 15 ±0.3
 Above 15 ~ 30 ±0.4
 Above 30 ~ 50 ±0.5
 Angle ±0.3

3RD. ANGEL'S



UNITS

MM

DRAWN BY:	DATE	MATL	TITLE	JACK
Jack Lu	08/09/21		JACK	
CHECKED BY:	DATE	FINISH	MODLE	DC JACK
Jacky Chen	08/09/21			
APPROVED BY:	DATE	SCALE	DWG NO.	DC-S3018H-x-S214
Tony Kao	08/09/21	1:1		
SHEET NO.	1 of 1	PART NO.	DC-S3018H-x-S214	

ITEM NO.	DESCRIPTION	DRAWN	DATE
2	更新料號	Jack	080921
1	更新料號	Jack	062121