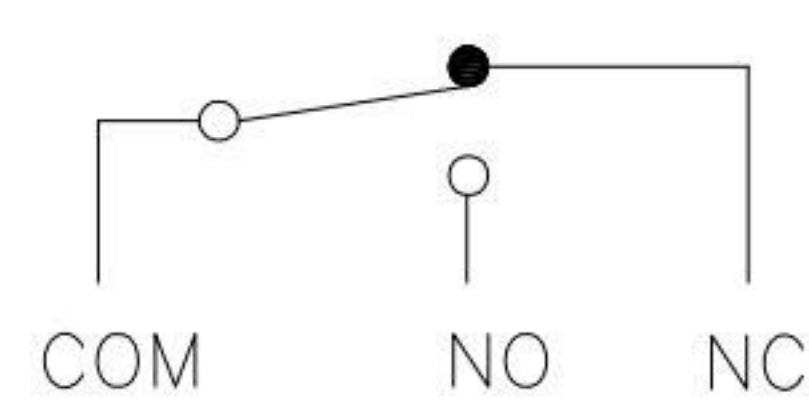
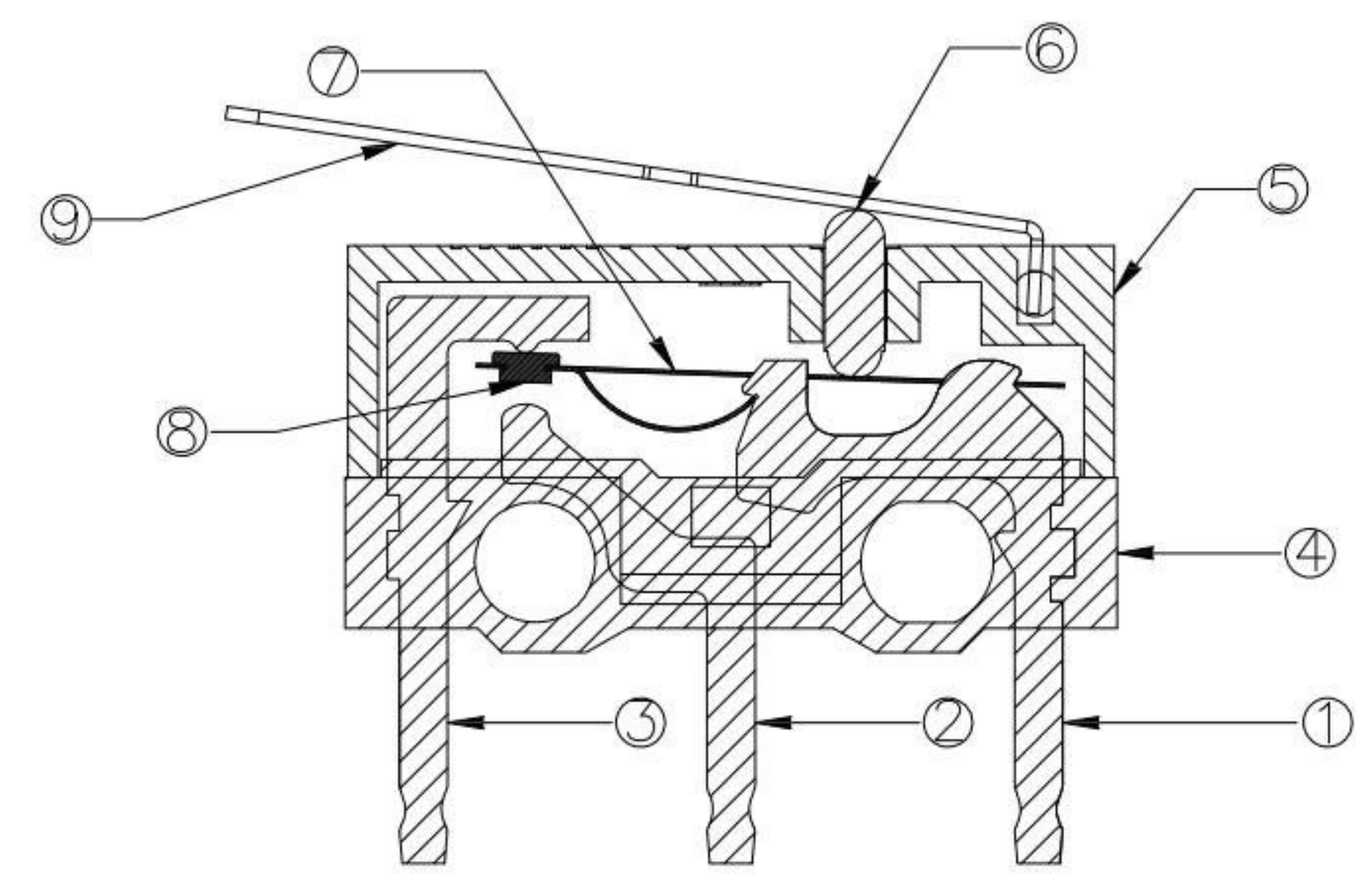


PCB LAYOUT(PATTERN SIDE)

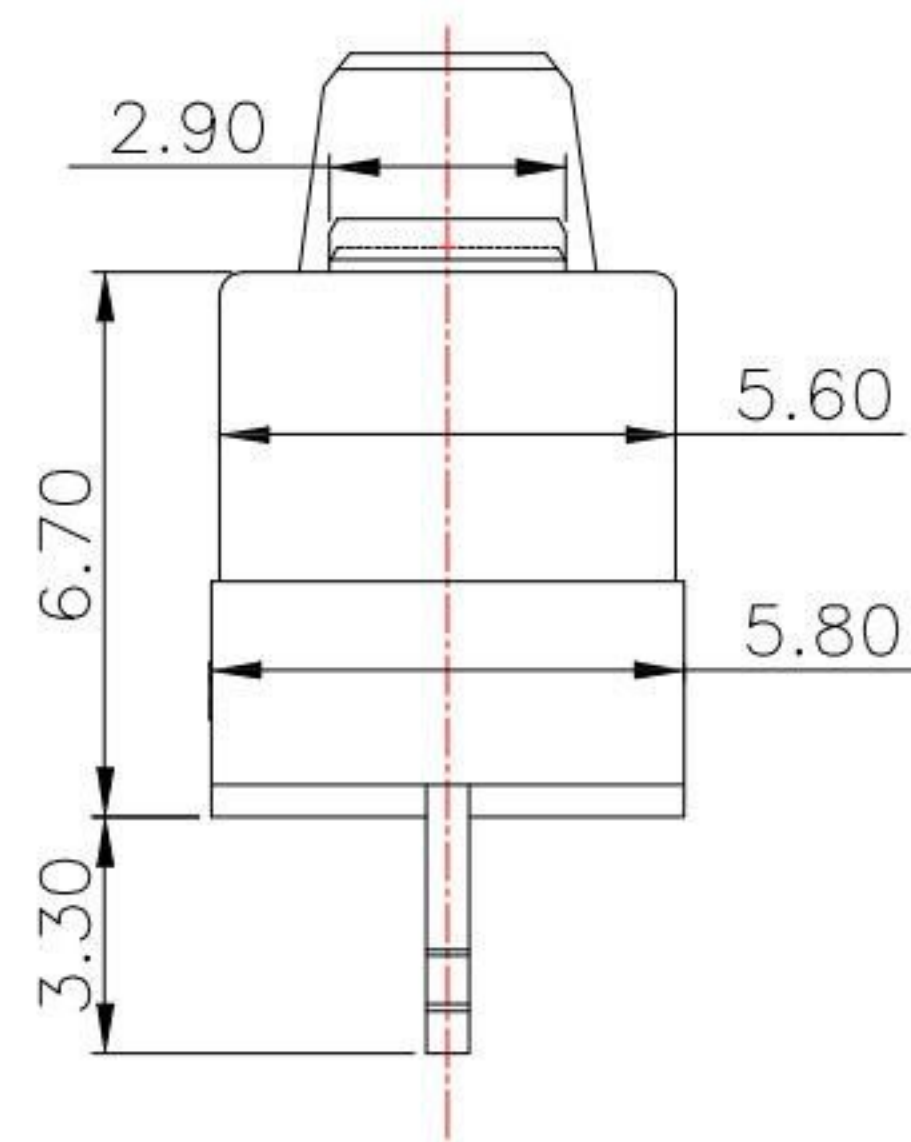
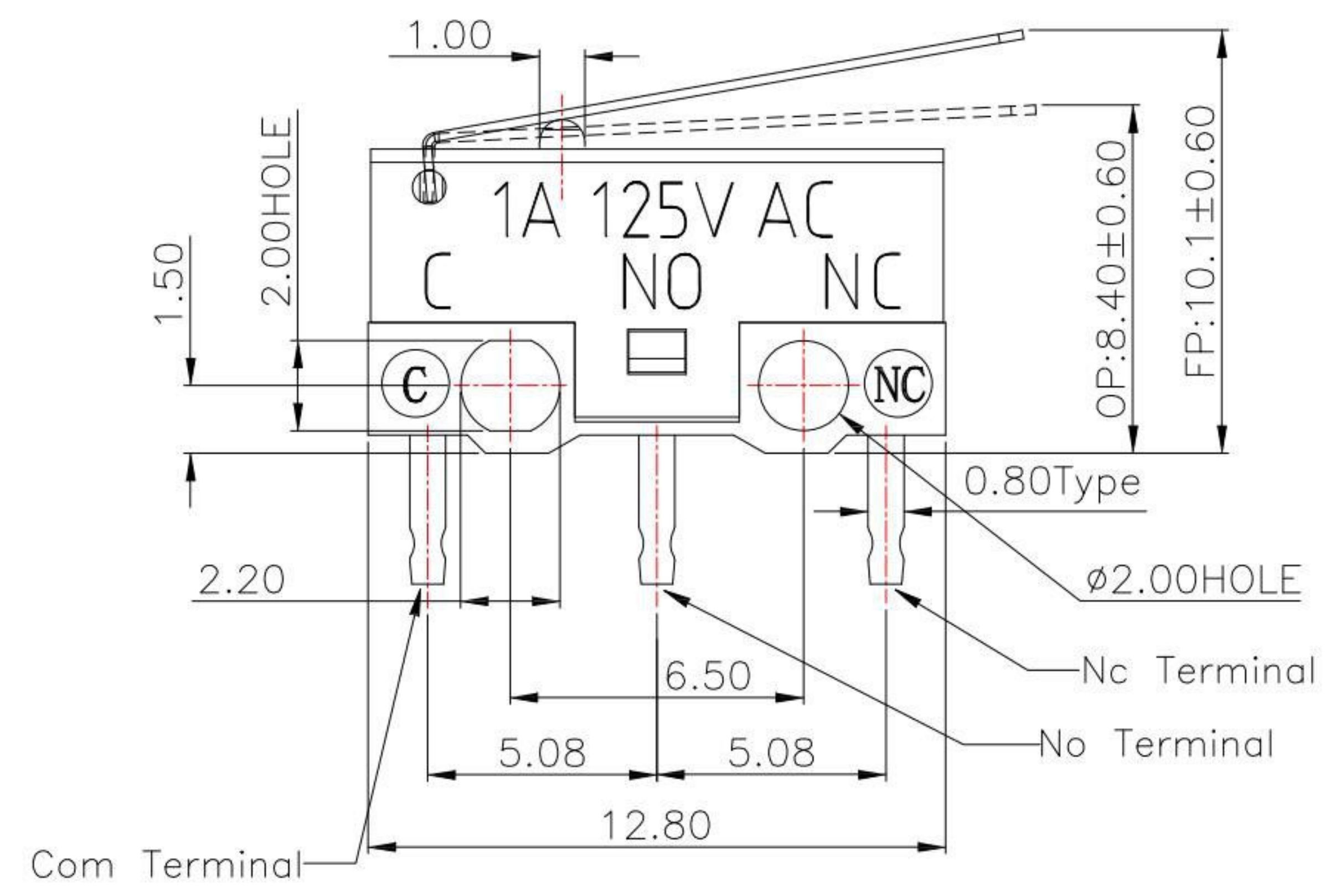


SCHEMATIC



SPECIFICATIONS

1. Rating : DC 30V 1.0A
2. Contact Resistance : 100mΩ Max
3. Insulation Resistance : 100MΩ Min(DC 250V)
4. Withstand Voltage : AC 500V(50-60Hz) for 1 minute
5. Operating Force : 25±10gf
6. Releasing Force : 10gf Min
7. Operating Position : 8.40 ±0.6 mm
8. Mechanical Life : 1,000,000 cycles Min



ITEM	PART NAME	QTY	MATERIAL	FINISHING
⑨	Lever	1	STAINLESS STEEL	
⑧	Contact	1	SILVER ALLOY	
⑦	Shrapnel	1	PHOSPHOR BRONZE	
⑥	Keystoke	1	POM	White
⑤	Cover	1	PBT	Black
④	Base	1	PBT	Black
③	Terminal 3	1	BRASS	Ag Plating
②	Terminal 2	1	BRASS	Ag Plating
①	Terminal 1	1	BRASS	Ag Plating

**KSD** 科斯达电子科技有限公司  
 SWITCH CONNECTOR KSD ELECTRONIC TECHNOLOGY Co., LTD  
 全球 互联零组件制造企业

TOLERANCE UNLESS OTHERWISE STATED:  
 Up to 5 ±0.2  
 Above 5 ~ 15 ±0.3  
 Above 15 ~ 30 ±0.4  
 Above 30 ~ 50 ±0.5  
 Angle ±0.3°

3RD. ANGEL'S

UNITS MM

DRAWN BY: Jack Lu DATE: 10/31/14  
 CHECKED BY: Jacky Chen DATE: 10/31/14  
 APPROVED BY: Tony Kao DATE: 10/31/14

MAT'L		TITLE	SWITCH
FINISH		MODLE	MICRO SWITCH
SCALE	1 : 1	DWG NO.	DM1-01P-25-S248
SHEET NO.	1 of 1	PART NO.	DM1-01P-25-S248

ITEM NO.	DESCRIPTION	DRAWN	DATE

SIZE A4  
 VER R