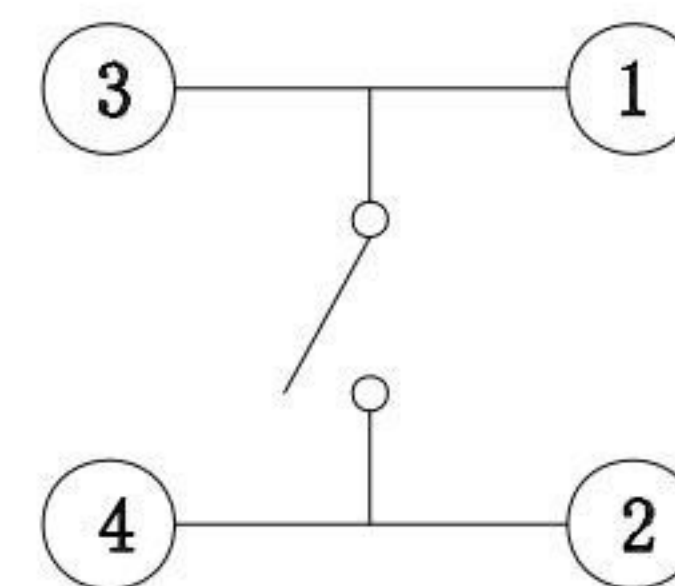
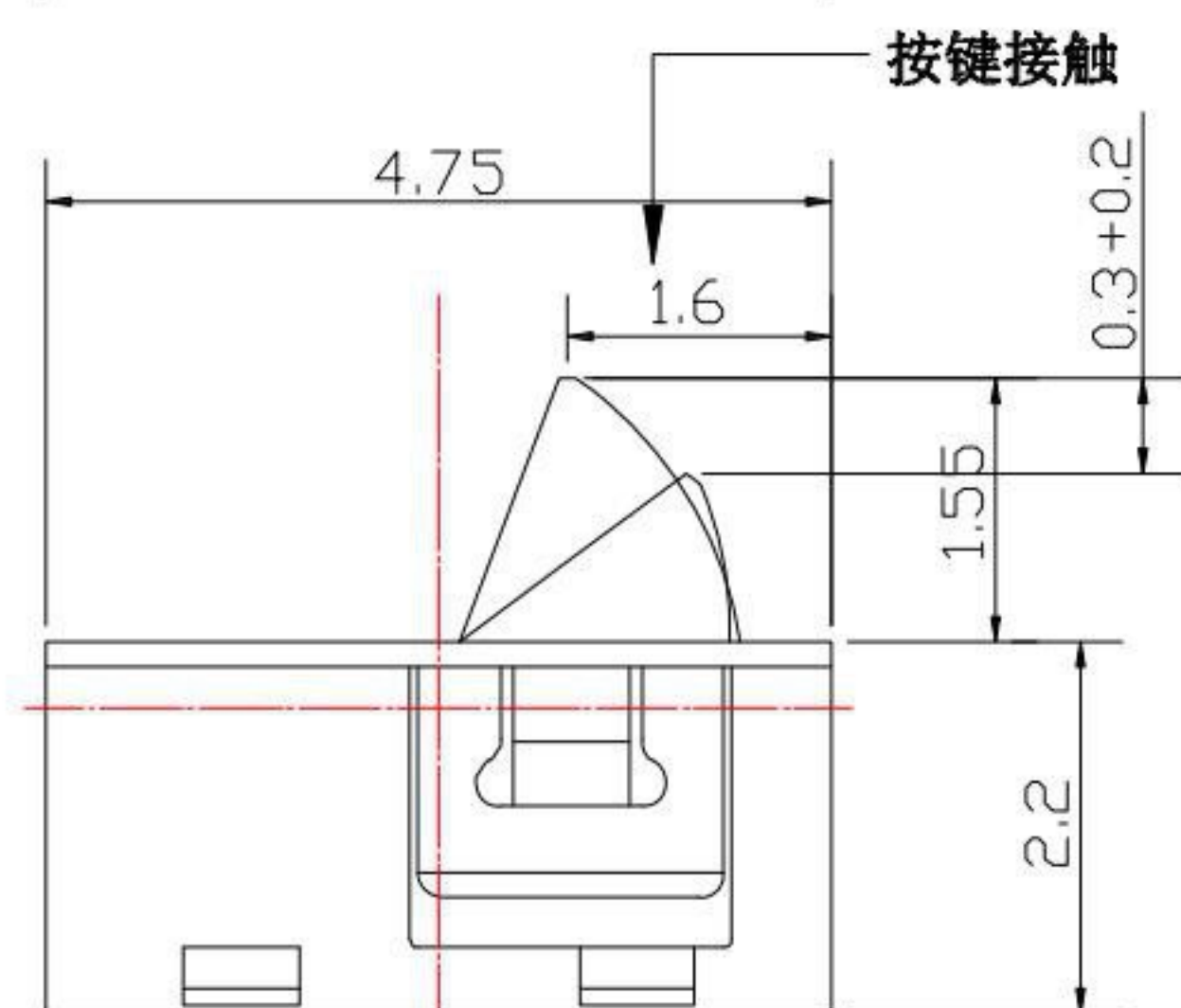


P.C.B LAYOUT



CIRCUIT DIAGRAM

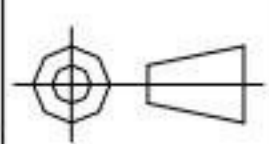
SPECIFICATIONS

Rating	DC 12V, 0.1A.
Contact Resistance	100mΩ Max.
Insulation Resistance	100MΩ Min.
Operating Force	40±10 gf
Mechanical Life	100,000 cycles

**KSD** 科斯达电子科技有限公司  
 SWITCH CONNECTOR KSD ELECTRONIC TECHNOLOGY Co., LTD  
 全球 互聯零組件製造企業

TOLERANCE UNLESS OTHERWISE STATED:  
 Up to 5 ±0.2  
 Above 5 ~ 15 ±0.3  
 Above 15 ~ 30 ±0.4  
 Above 30 ~ 50 ±0.5  
 Angle ±0.3

3RD. ANGEL'S



UNITS MM

DRAWN BY: Jack Lu DATE: 06/14/22  
 CHECKED BY: Jacky Chen DATE: 06/14/22  
 APPROVED BY: Tony Kao DATE: 06/14/22

MAT'L	TITLE	SWITCH
FINISH	MODLE	DETECTOR SWITCH
SCALE 1:1	DWG NO.	DS-A40-S379
SHEET NO. 1 of 1	PART NO.	DS-A40-S379

2	新增底部圖面	Jack	061422
1	更新為A0版	Jack	120717
ITEM NO.	DESCRIPTION	DRAWN	DATE

SIZE A4  
 VER R2