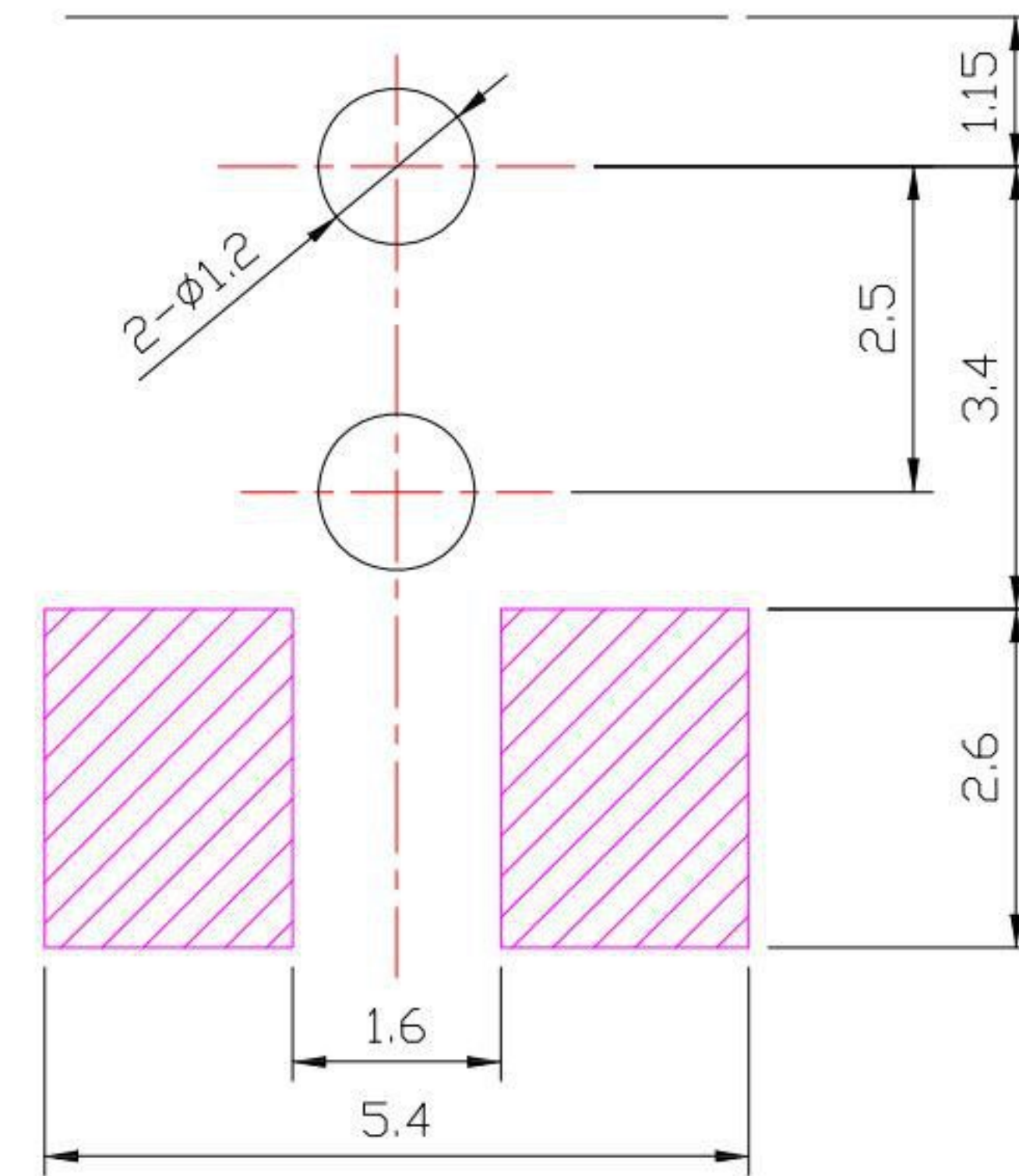
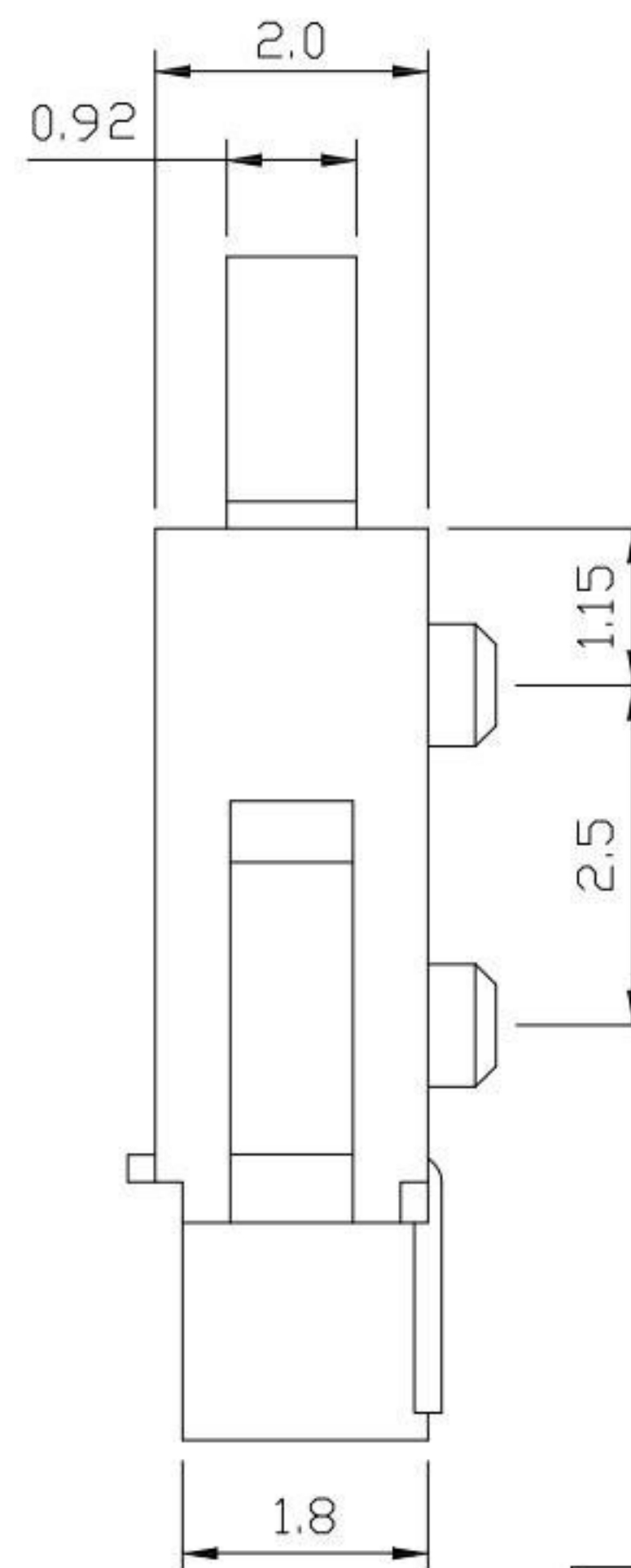
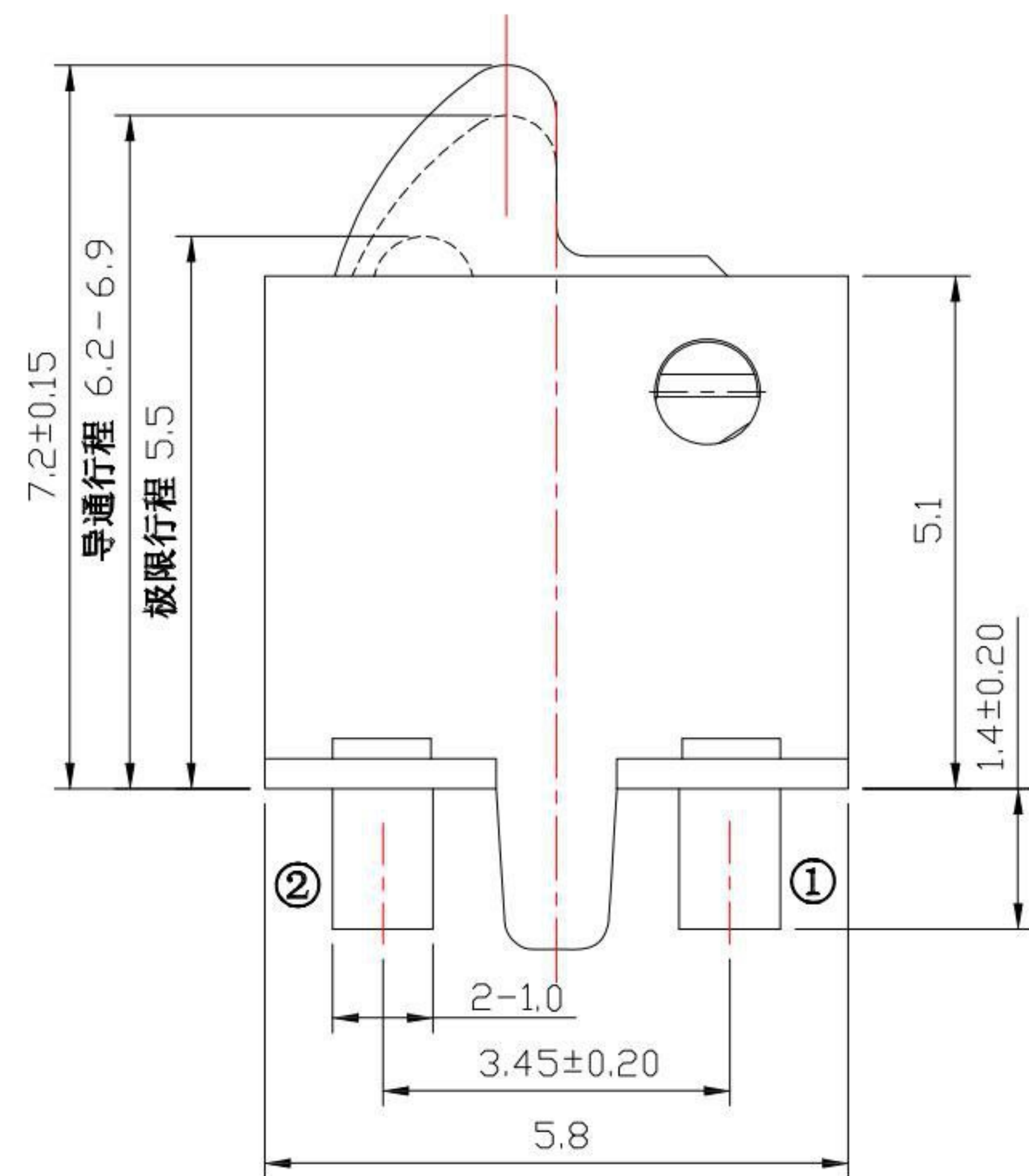


CIRCUIT DIAGRAM



P.C.B LAYOUT



SPECIFICATIONS

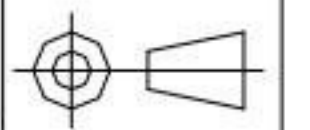
Rating	DC 12V, 0.1A.
Contact Resistance	200mΩ Max.
Insulation Resistance	50MΩ Min.
Operating Force	20±10 gf
Mechanical Life	30,000 cycles

NO	NAME	MATERIAL	QTY	FINISHING
4	TERMINAL	BRASS	2	Ag PLATED
3	SPRING	PHOSPHOR BRONZE	1	Ag PLATED
2	BASE	PA46(BLACK)	1	
1	KNOB	PA46(BLACK)	1	

KSD 科斯达电子科技有限公司
 SWITCH CONNECTOR KSD ELECTRONIC TECHNOLOGY Co., LTD
 全球 互 联 零 组 件 制 造 企 业

TOLERANCE UNLESS OTHERWISE STATED:
 Up to 5 ±0.2
 Above 5 ~ 15 ±0.3
 Above 15 ~ 30 ±0.4
 Above 30 ~ 50 ±0.5
 Angle ±0.3

3RD. ANGEL'S



UNITS

MM

DRAWN BY: Jack Lu
 CHECKED BY: Jacky Chen
 APPROVED BY: Tony Kao

DATE: 01/12/22
 DATE: 01/12/22
 DATE: 01/12/22

MAT'L
 FINISH
 SCALE: 1:1
 SHEET NO. 1 of 1

TITLE: SWITCH
 MODLE: DETECTOR SWITCH
 DWG NO.: DS-A50-S379
 PART NO.: DS-A50-S379

SIZE: A4
 VER: R1

ITEM NO.	DESCRIPTION	DRAWN	DATE
1	更新圖面	Jack	011222