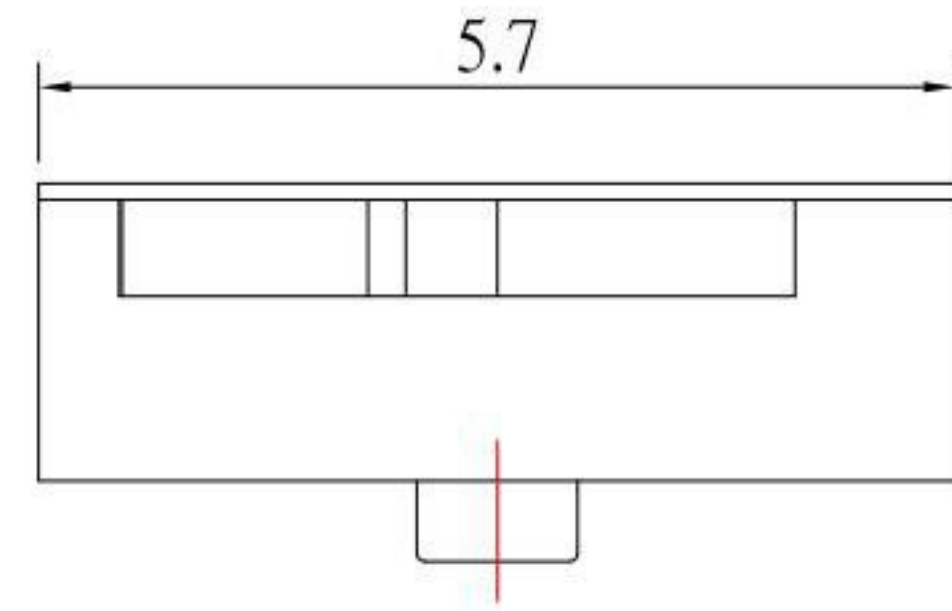
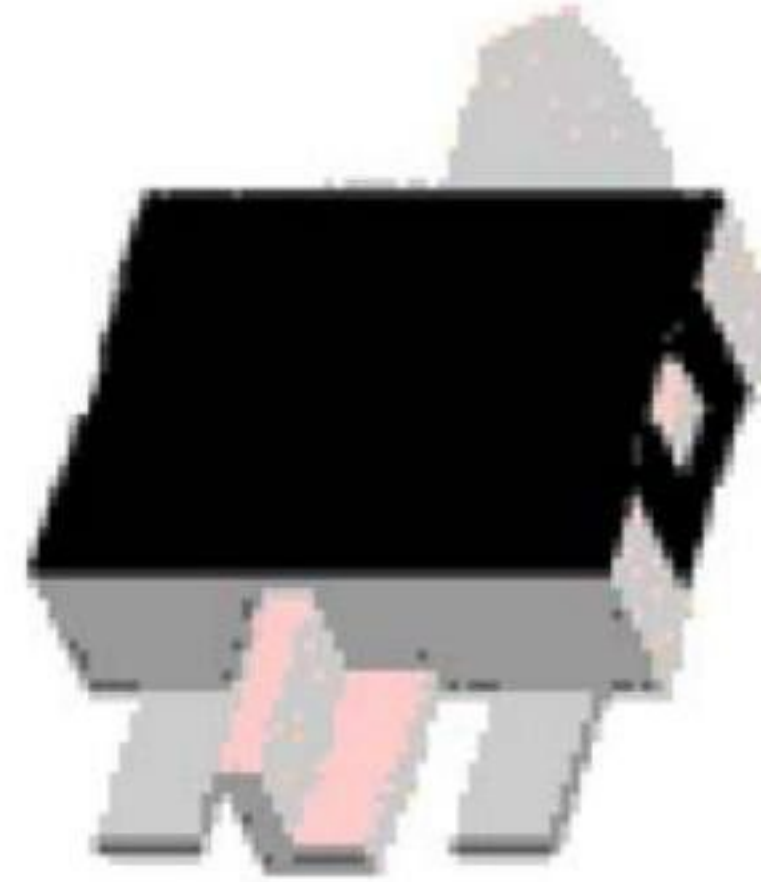




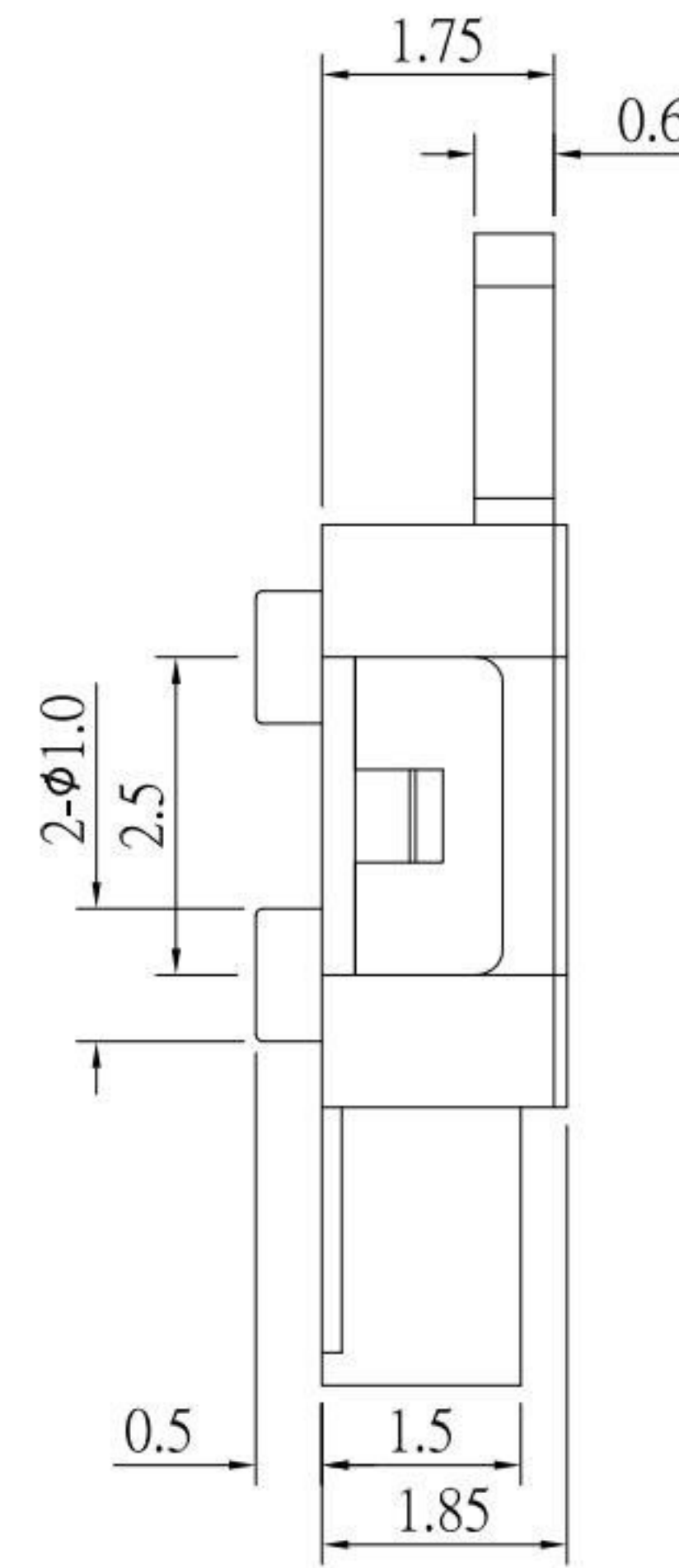
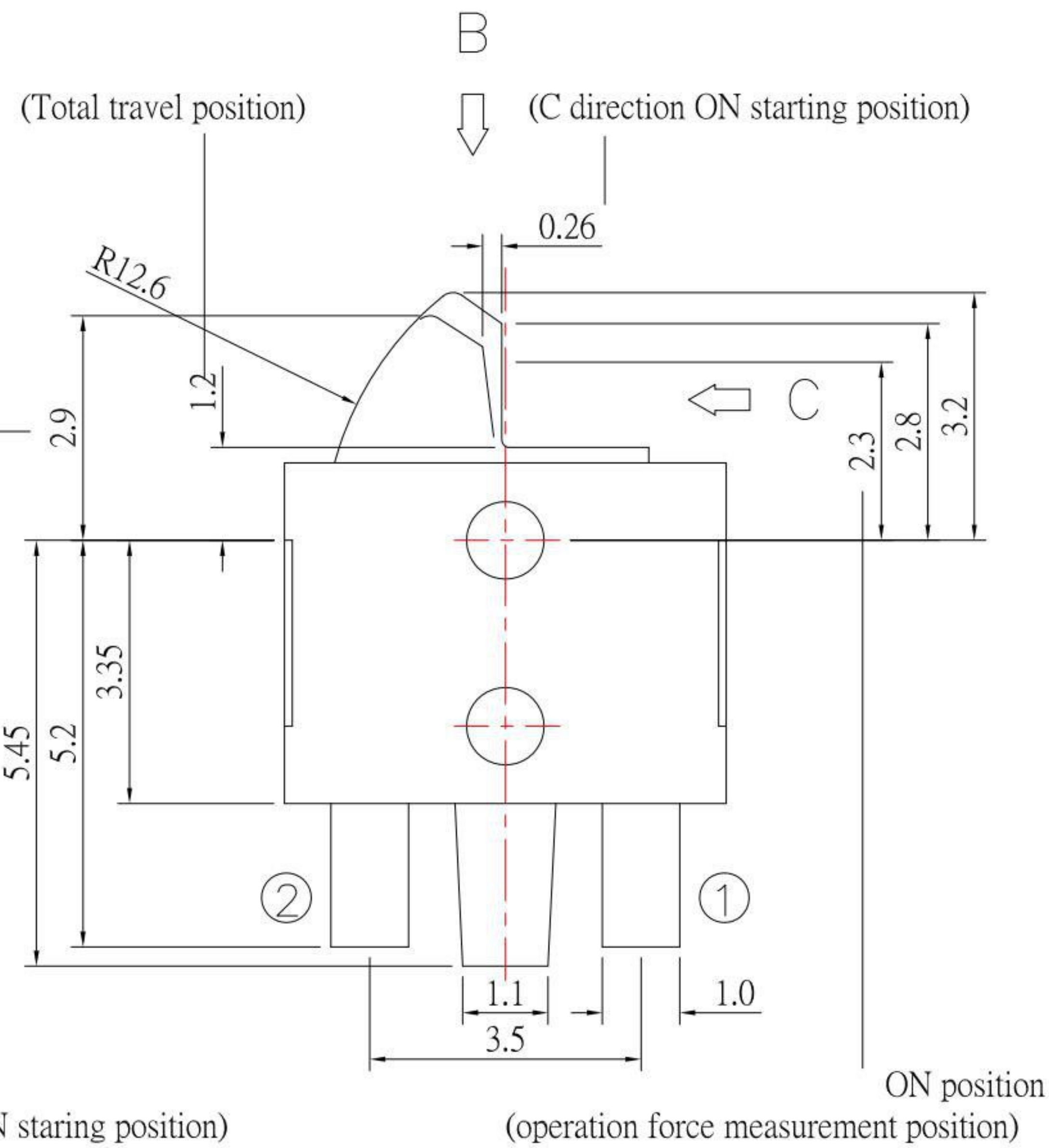
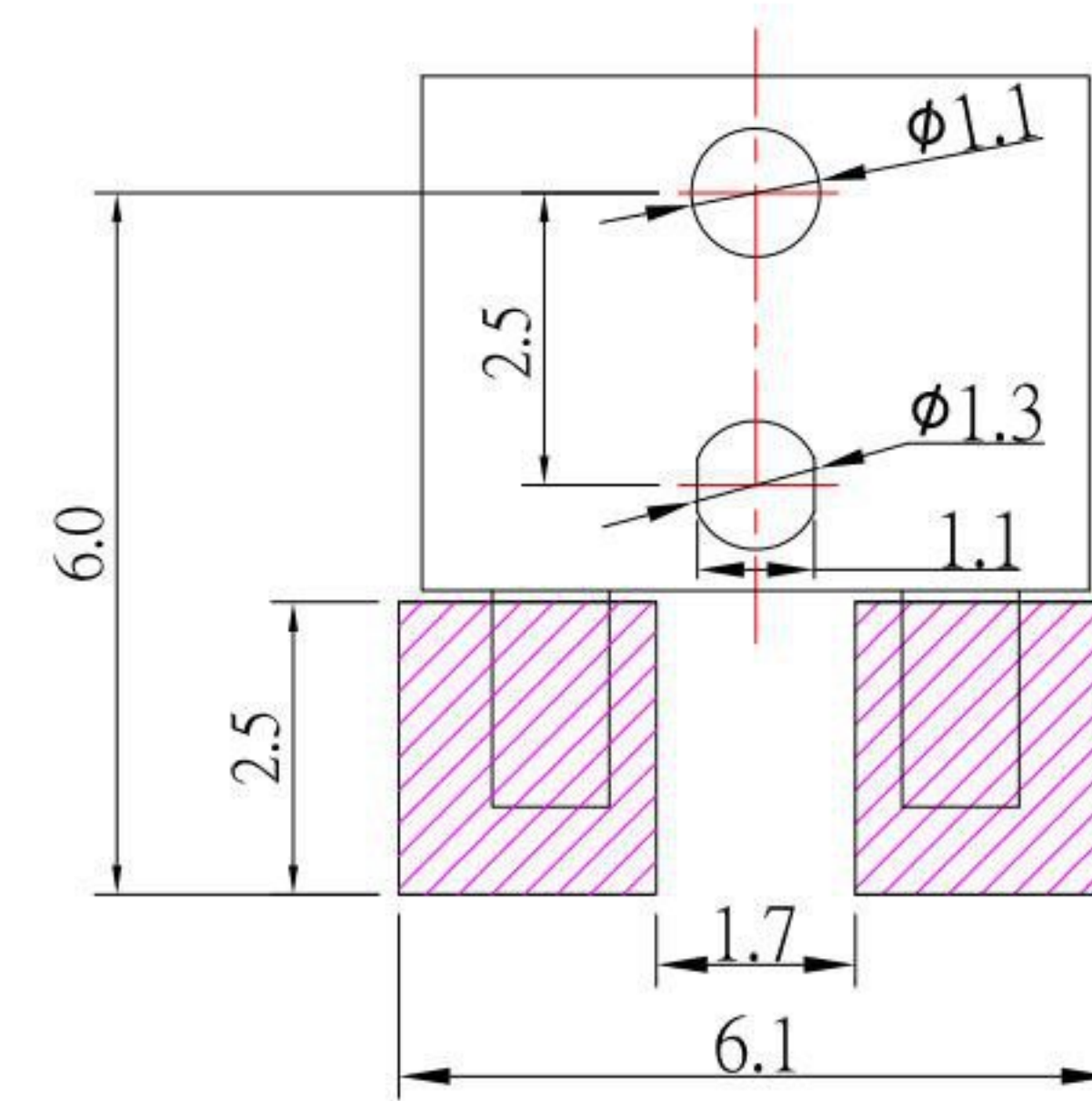
### DIMENSIONS



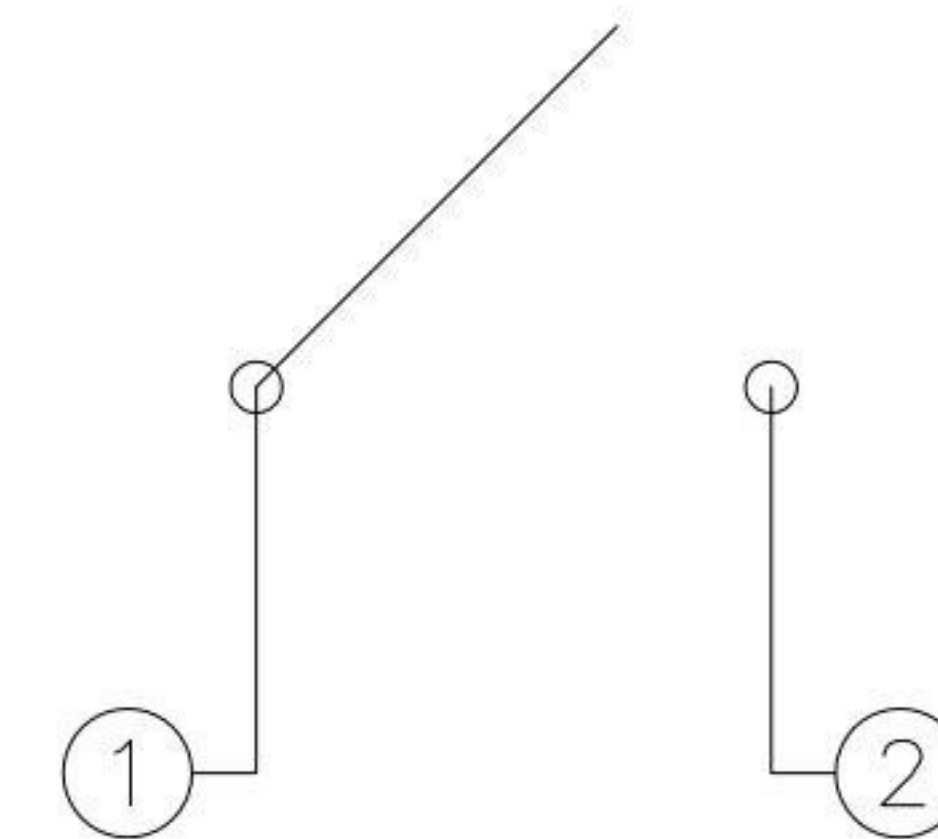
### PRODUCT IMAGE



### P.C.B MOUNTING DIMENSIONS



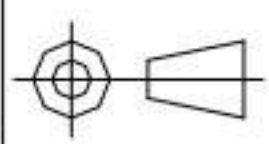
### CIRCUIT DIAGRAM



**KSD** 科斯达电子科技有限公司  
 SWITCH CONNECTOR KSD ELECTRONIC TECHNOLOGY Co., LTD  
 全球 互 联 零 组 件 制 造 企 业

TOLERANCE UNLESS OTHERWISE STATED:  
 Up to 5 ±0.2  
 Above 5 ~ 15 ±0.3  
 Above 15 ~ 30 ±0.4  
 Above 30 ~ 50 ±0.5  
 Angle ±0.3°

3RD. ANGEL'S



UNITS MM

DRAWN BY:	DATE	MAT'L	TITLE	SWITCH
Frank Wu	10/28/11			
CHECKED BY:	DATE	FINISH	MODLE	DETECTOR SWITCH
Jacky Chen	10/28/11			
APPROVED BY:	DATE	SCALE	DWG NO.	DS-A60
Tony Kao	10/28/11	1:1		
SHEET NO.	1 of 1	PART NO.	DS-A60	
				SIZE A4
				VER B