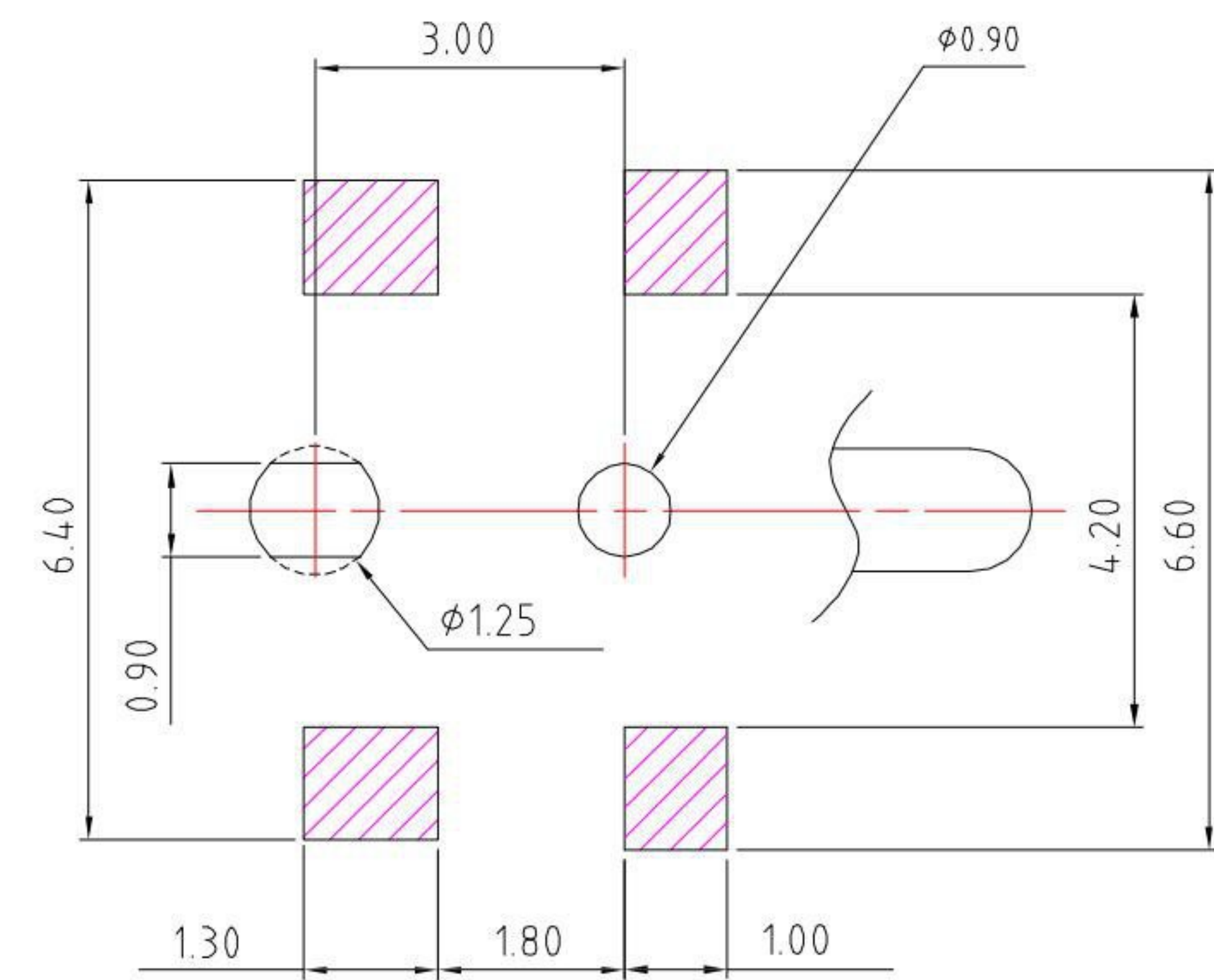
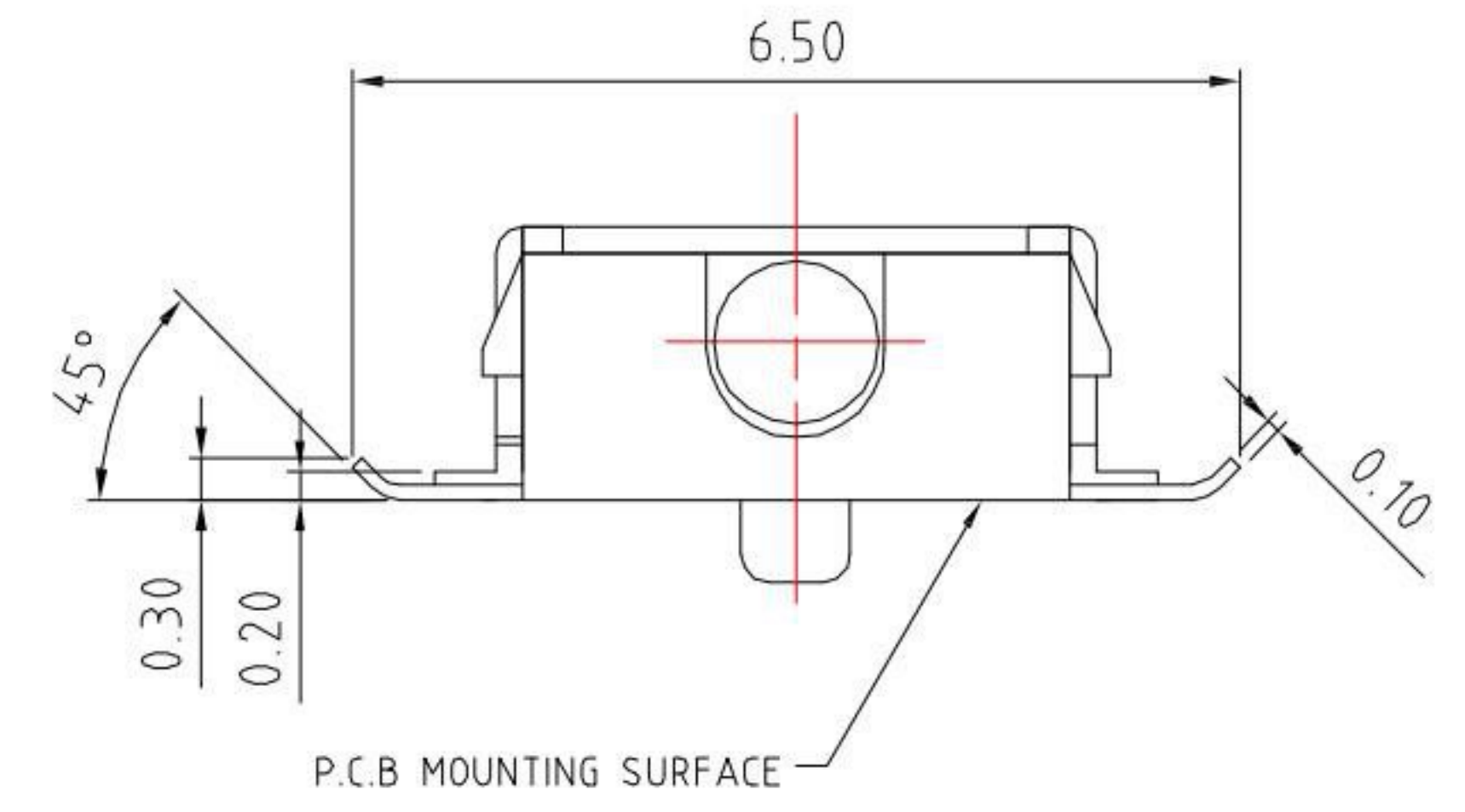
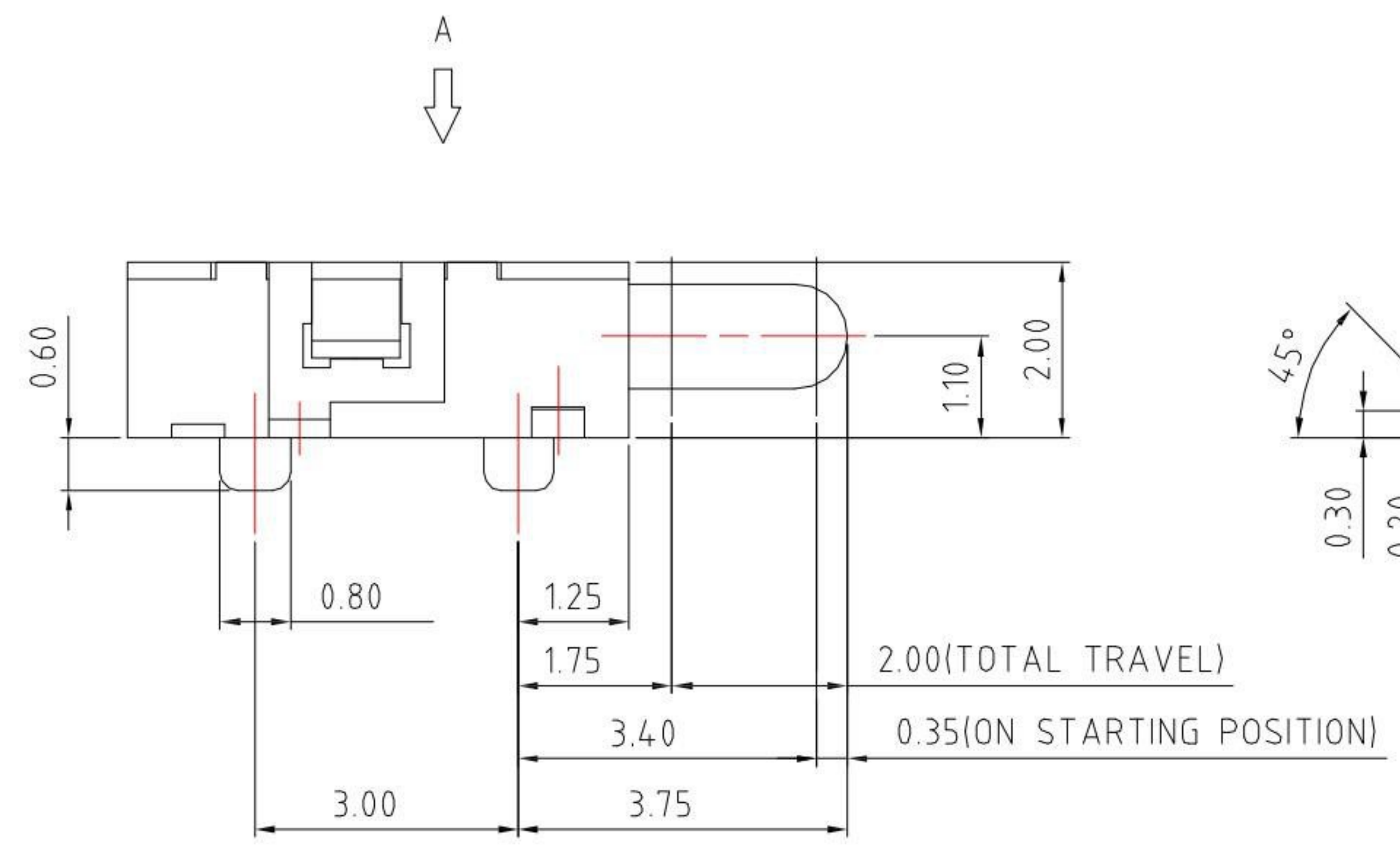
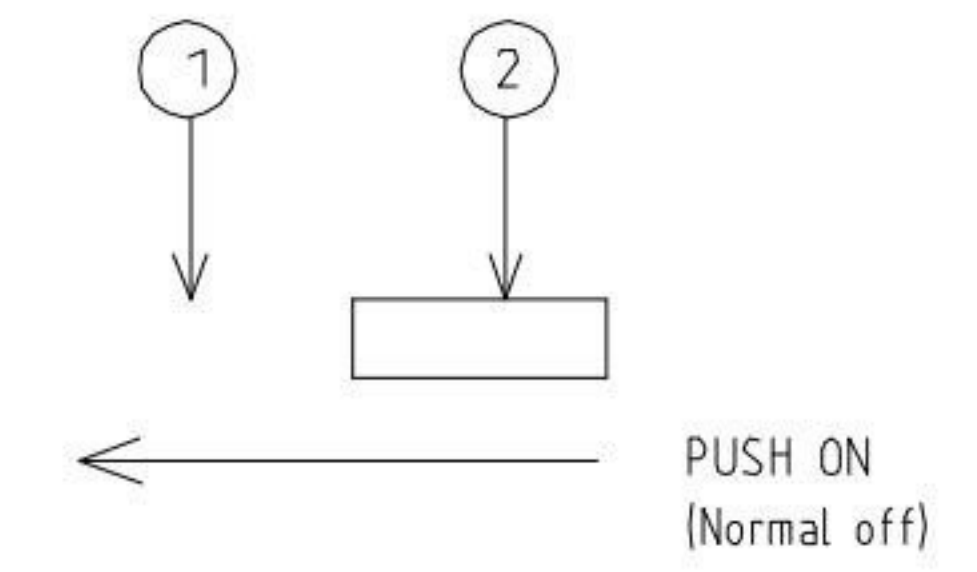


SOLDER LAND DIMENSIONS
(VIEWED FROM THE DIRECTION "A")



CIRCUIT DIAGRAM(NORMAL)

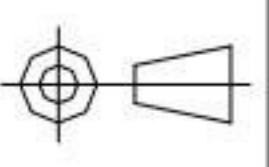


- NOTE
- 1.RATING : DC 12V, 100mA(RESISTIVE LOAD)
 - 2.OPERATING FORCE : 70gf MAX
 - 3.LIFE CYCLE : 50,000 CYCLES
 - 4.COLOR : CASE, ACTUATOR - BLACK

KSD 科斯达电子科技有限公司
SWITCH CONNECTOR KSD ELECTRONIC TECHNOLOGY Co., LTD
全球 互联零组件制造企业

TOLERANCE UNLESS OTHERWISE STATED:
Up to 5 ±0.2
Above 5 ~ 15 ±0.3
Above 15 ~ 30 ±0.4
Above 30 ~ 50 ±0.5
Angle ±0.3°

3RD. ANGEL'S



UNITS

MM

DRAWN BY: Jack Lu
DATE: 07/22/13
CHECKED BY: Jacky Chen
DATE: 07/22/13
APPROVED BY: Tony Kao
DATE: 07/22/13

MAT'L		TITLE	SWITCH
FINISH		MODLE	DECTECTOR SWITCH
SCALE	1:1	DWG NO.	DS-B50
SHEET NO.	1 of 1	PART NO.	DS-B50
		SIZE	A4
		VER	R1

1	更新OF	Jack	072213
ITEM NO.	DESCRIPTION	DRAWN	DATE