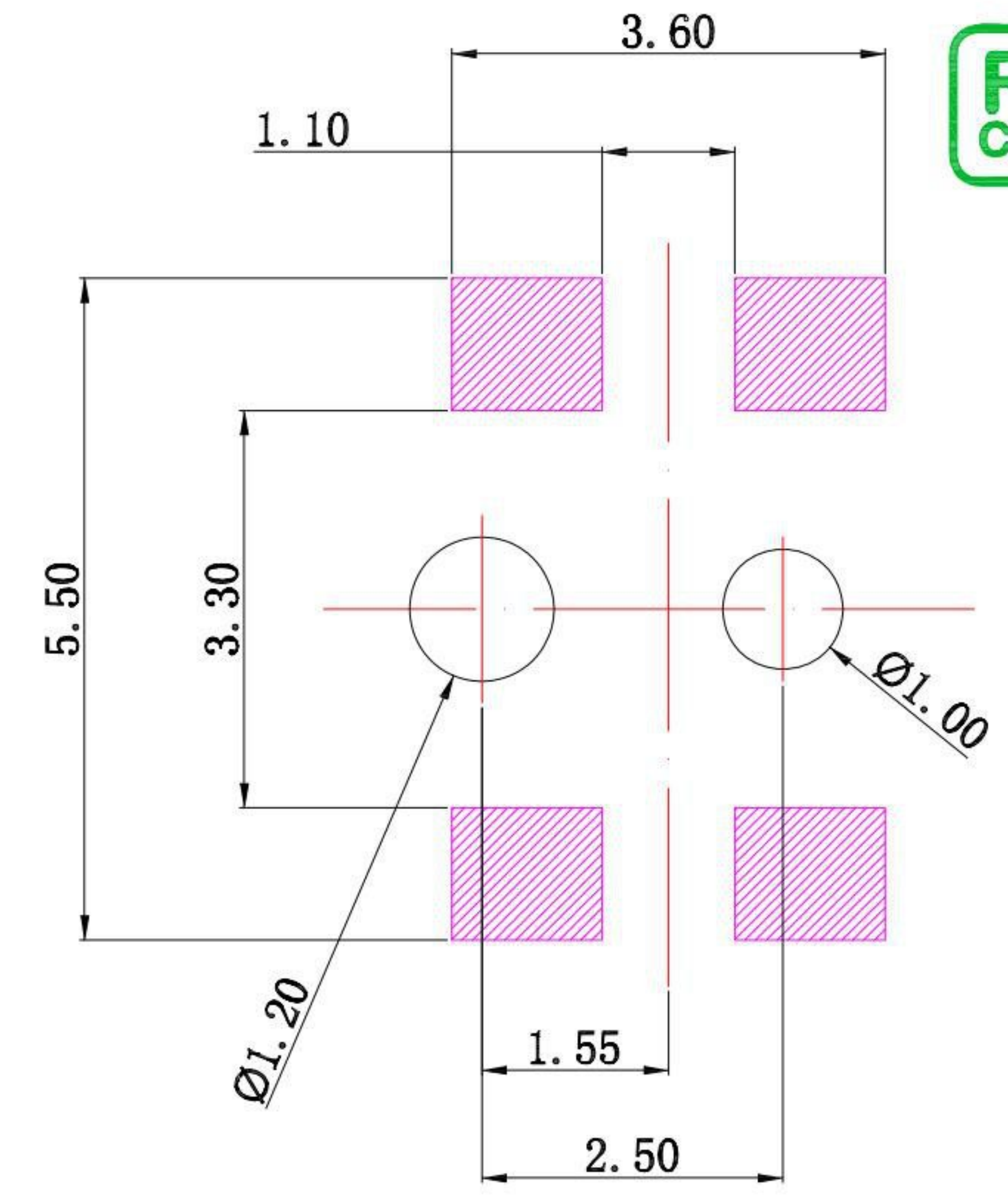
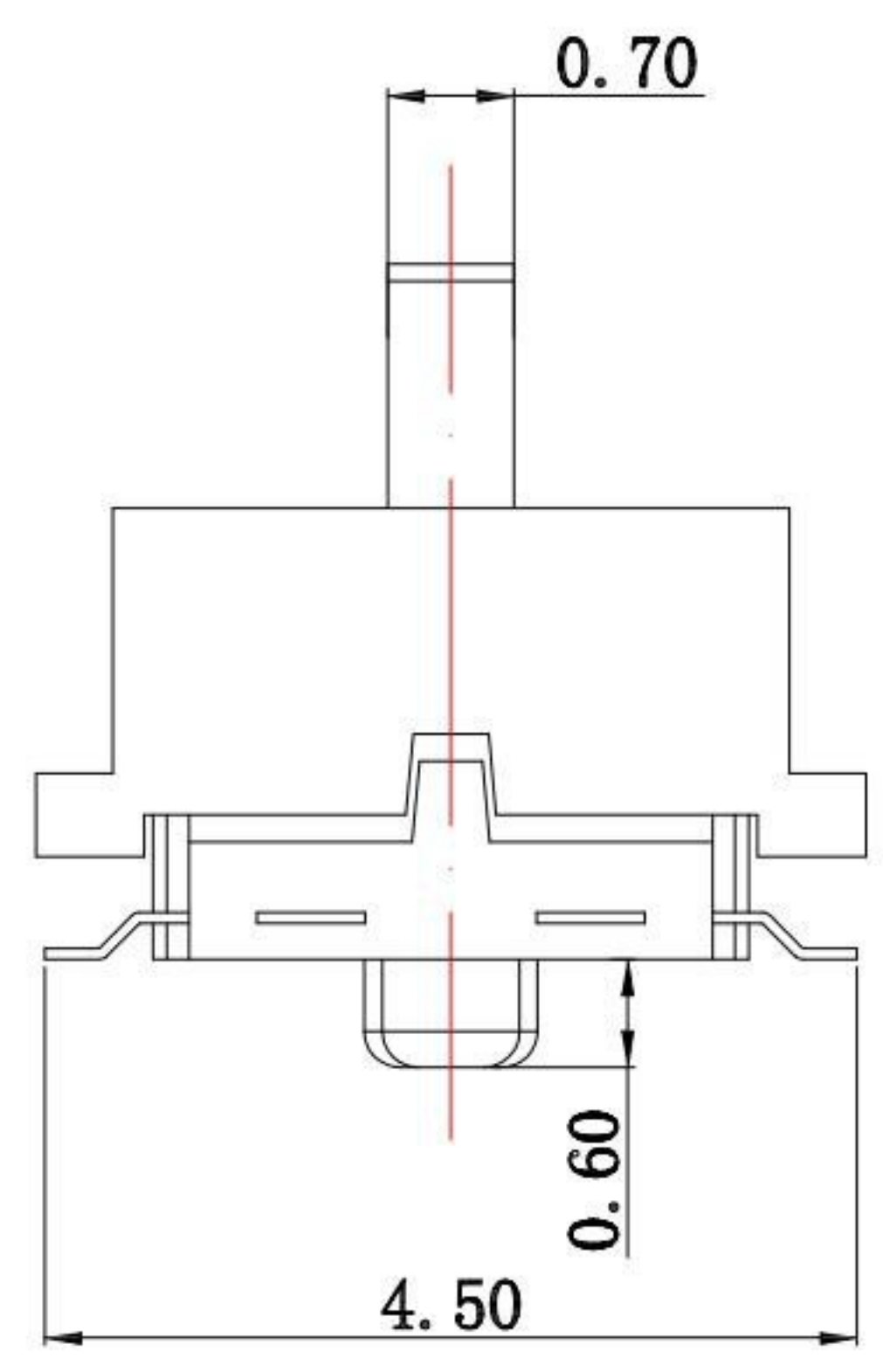
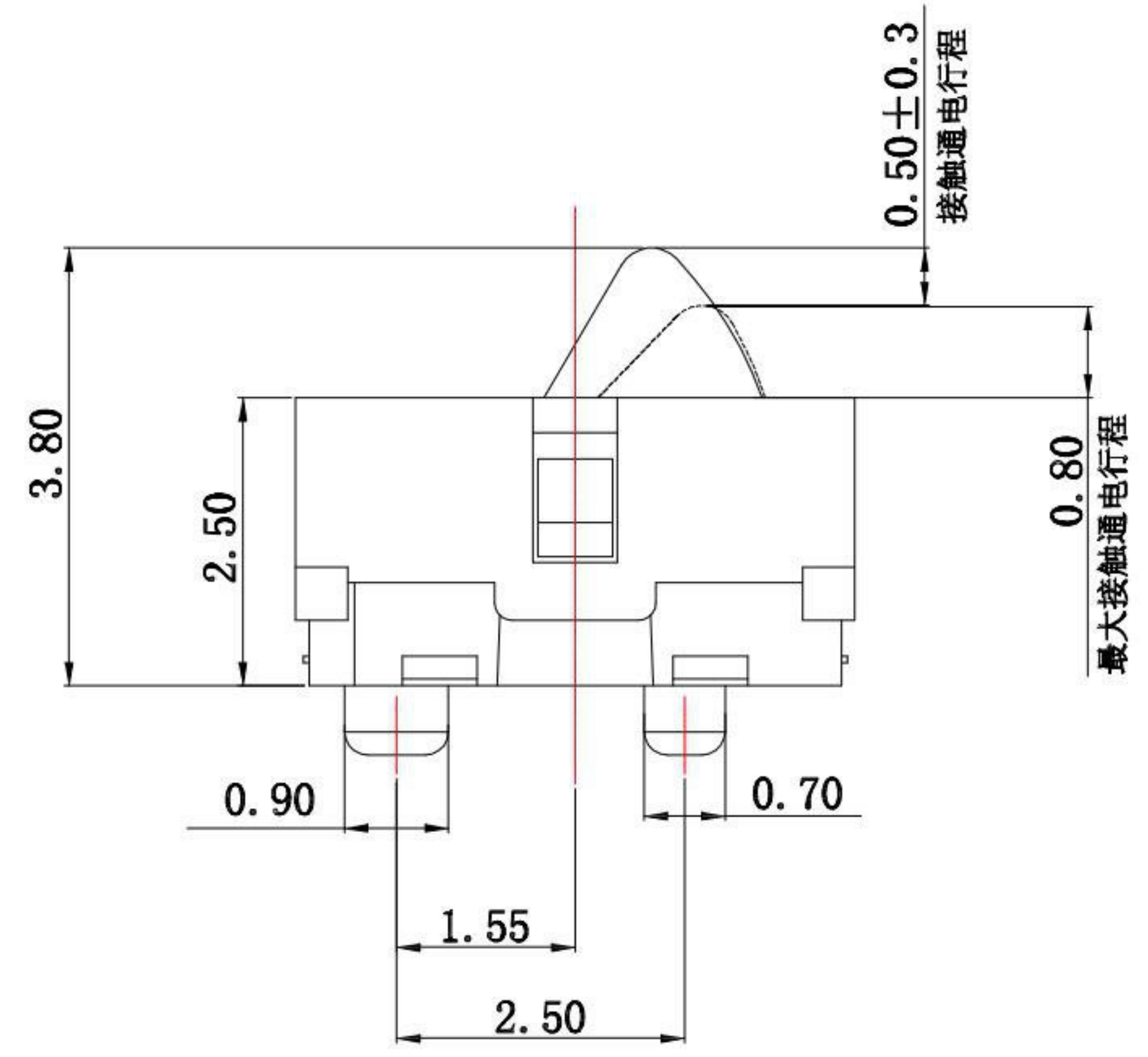


CIRCUIT DIAGRAM



P.C.B LAYOUT



SPECIFICATIONS

Rating	DC 12V, 100mA.
Contact Resistance	100mΩ Max.
Insulation Resistance	100MΩ Min.
Operating Force	30±10 gf
Mechanical Life	30,000 cycles

NO	NAME	MATERIAL	QTY	FINISHING
5	TERMINAL	PHOSPHOR BRONZE	1	Ag PLATED
4	COVER	PPA	1	BLACK
3	CONTACT	BeCu	1	Ag PLATED
2	KNOB	LCP	1	BLACK
1	BASE	LCP	1	BLACK

KSD 科斯达电子科技有限公司
 SWITCH CONNECTOR KSD ELECTRONIC TECHNOLOGY Co., LTD
 全球 互连零组件 制造企业

TOLERANCE UNLESS OTHERWISE STATED:

Up to 5	±0.2
Above 5 ~ 15	±0.3
Above 15 ~ 30	±0.4
Above 30 ~ 50	±0.5
Angle	±0.3

3RD. ANGEL'S UNITS MM

DRAWN BY:	DATE	MAT'L	TITLE	SWITCH
Jack Lu	12/12/22			
CHECKED BY:	DATE	FINISH	MODLE	DETECTOR SWITCH
Jacky Chen	12/12/22			
APPROVED BY:	DATE	SCALE	DWG NO.	DS-B80BE-S379
Tony Kao	12/12/22	1:1		
		SHEET NO.	PART NO.	DS-B80BE-S379
		1 of 1		

ITEM NO.	DESCRIPTION	DRAWN	DATE
2	更新材質	Jack	121222
1	新增行程及更新尺寸	Jack	031419

SIZE	A4
VER	R2