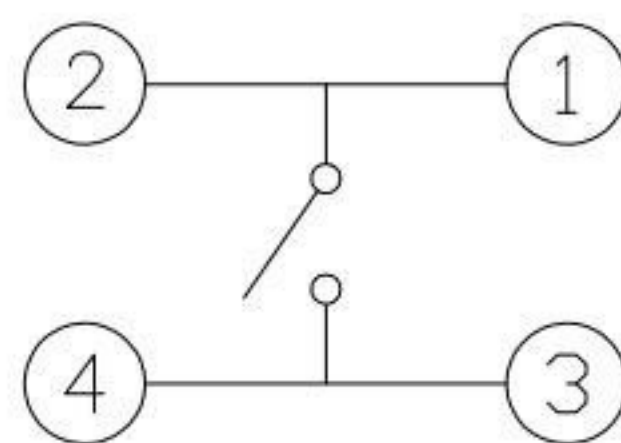
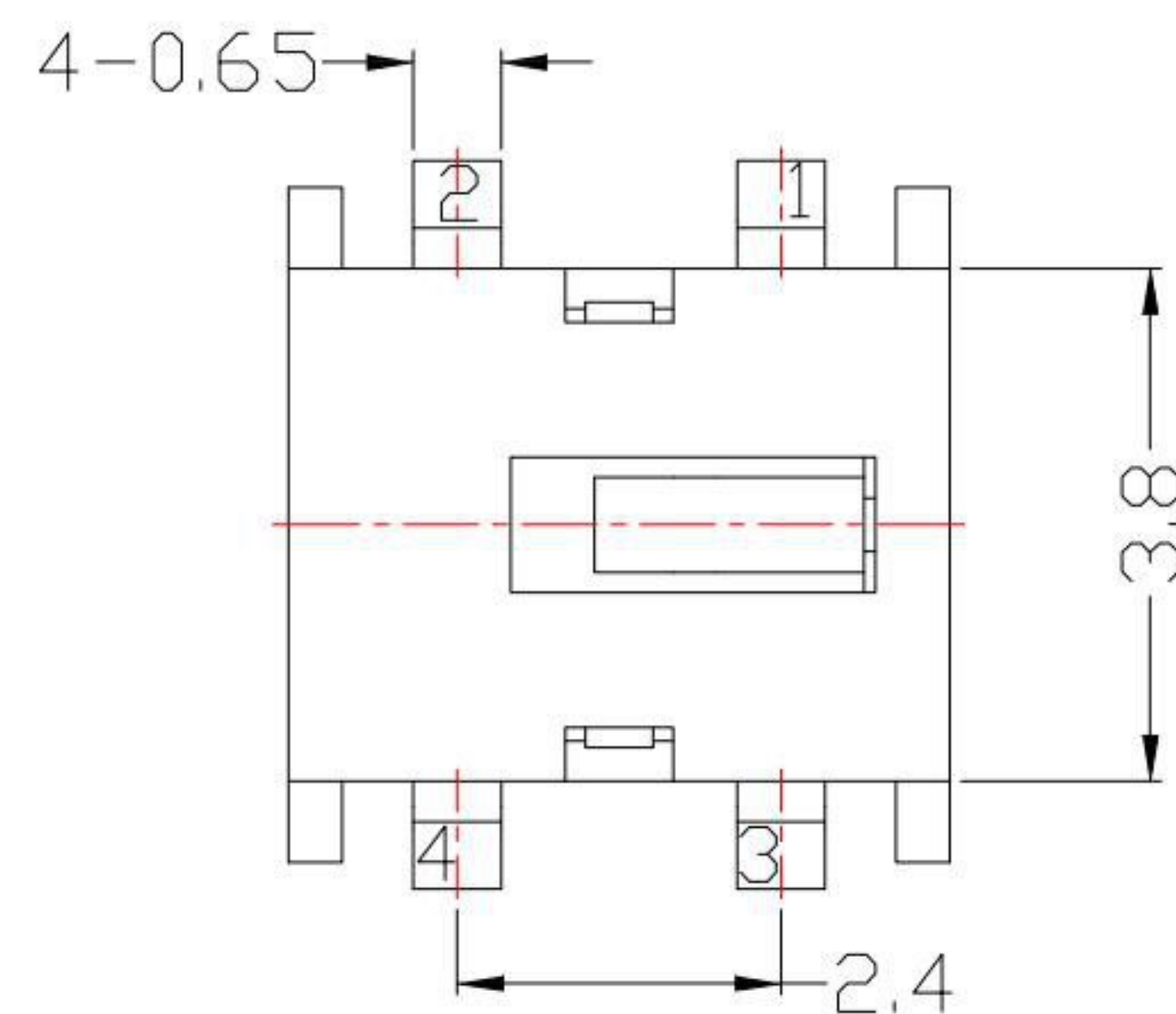


P.C.B LAYOUT



CIRCUIT DIAGRAM

SPECIFICATIONS

| | |
|-----------------------|---------------|
| Rating | DC 12V, 0.1A. |
| Contact Resistance | 100mΩ Max. |
| Insulation Resistance | 100MΩ Min. |
| Operating Force | 40±10 gf |
| Mechanical Life | 20,000 cycles |

| NO | NAME | MATERIAL | QTY | FINISHING |
|----|----------|-----------------|-----|-----------|
| 5 | TERMINAL | PHOSPHOR BRONZE | 1 | Ag PLATED |
| 4 | COVER | NYLON | 1 | BLACK |
| 3 | SPRING | BeCu | 1 | Ag PLATED |
| 2 | KNOB | NYLON | 1 | BLACK |
| 1 | CASE | NYLON | 1 | BLACK |

KSD 科斯达电子科技有限公司
 SWITCH CONNECTOR KSD ELECTRONIC TECHNOLOGY Co., LTD
 全球 互 联 零 组 件 制 造 企 业

TOLERANCE UNLESS OTHERWISE STATED:
 Up to 5 ±0.2
 Above 5 ~ 15 ±0.3
 Above 15 ~ 30 ±0.4
 Above 30 ~ 50 ±0.5
 Angle ±0.3

3RD. ANGEL'S
 UNITS MM

| | | | | |
|--------------|----------|-----------|----------|-----------------|
| DRAWN BY: | DATE | MATL | TITLE | SWITCH |
| Jack Lu | 08/27/19 | FINISH | MODLE | DETECTOR SWITCH |
| CHECKED BY: | DATE | SCALE | DWG NO. | DS-B80E-S379 |
| Jacky Chen | 08/27/19 | 1:1 | PART NO. | DS-B80E-S379 |
| APPROVED BY: | DATE | SHEET NO. | 1 of 1 | |
| Tony Kao | 08/27/19 | | | |

| ITEM NO. | DESCRIPTION | DRAWN | DATE |
|----------|-------------------|-------|--------|
| 1 | 更新CIRCUIT DIAGRAM | Jack | 082719 |

SIZE A4
 VER R1