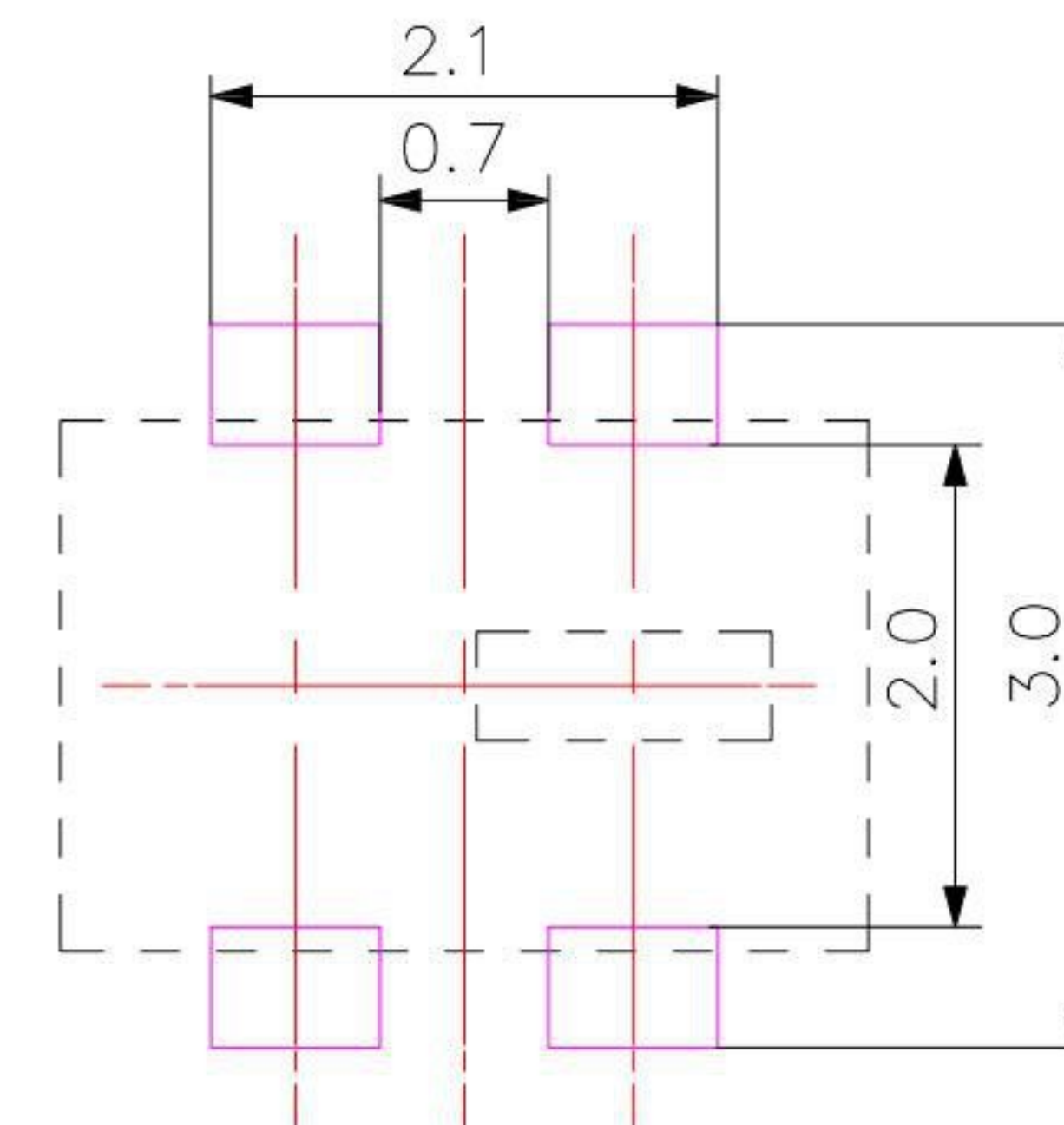
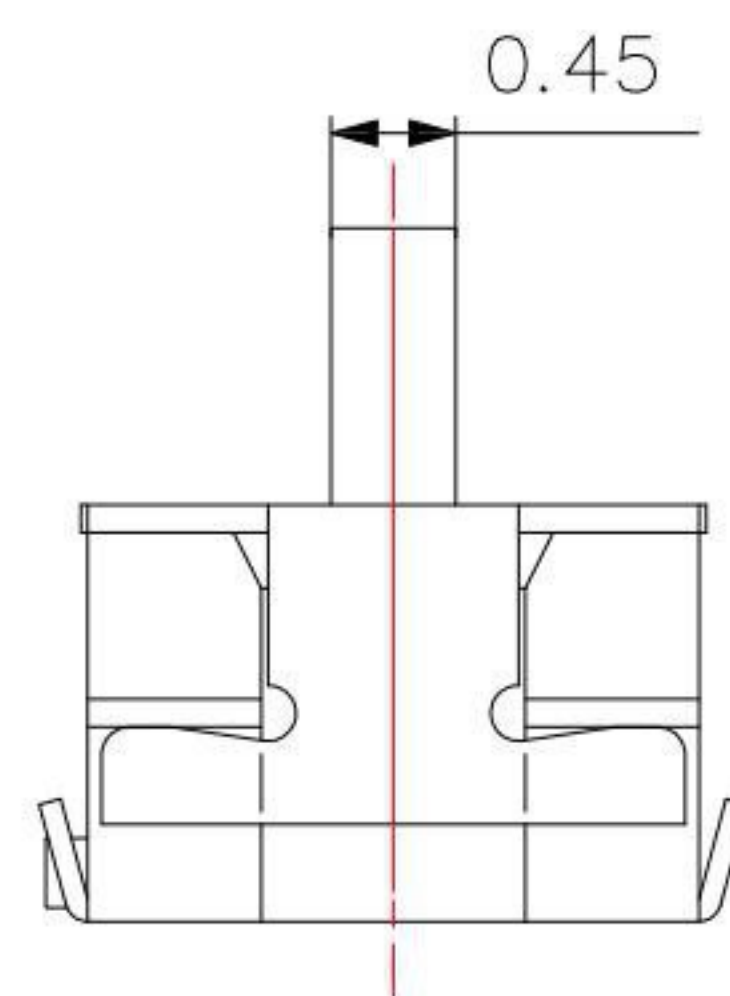
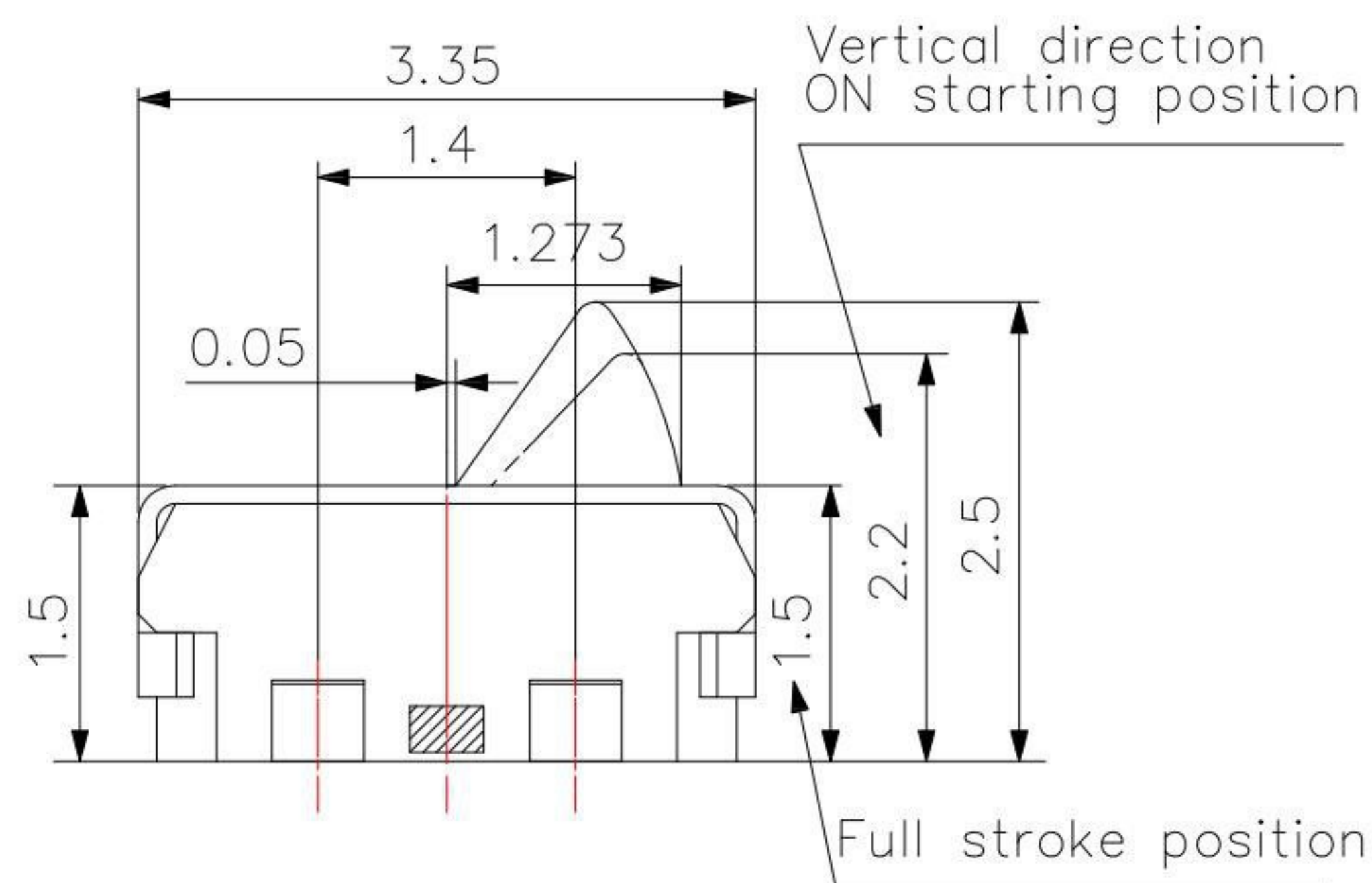


SCHEMATIC



MOUNTING HOLES



SPECIFICATION

1. RATING : DC3V, 5uA ; DC5V, 10mA
2. CONTACT RESISTANCE : $\leq 500m\Omega$;
3. INSULATION RESISTANCE : $\geq 100M\Omega$;
4. OPERATING TEMPERATURE : $-10^{\circ}C \sim +60^{\circ}C$;
5. HUMIDITY APPLICATION : $< 85\% RH$;
6. OPERATING FORCE : 250mN Max ;
7. LIFE : 50,000 CYCLES ;

| | | | | | | | | | | | | | | | | | | | | | | |
|---------------|-------------------|-------|--------|---|-----------|--|---------|----------------|--------------|-----------------------|---------------|------------------------|---------------|-----------|-------|-------------------|--|--|--|--|------------------------|--|
| | | | | KSD 科斯达电子科技有限公司 SWITCH CONNECTOR KSD ELECTRONIC TECHNOLOGY Co., LTD 全球 互 联 零 组 件 制 造 企 业 | | DRAWN BY: Jack Lu | | DATE: 11/01/21 | | MAT'L | | TITLE: SWITCH | | | | | | | | | | |
| | | | | | | CHECKED BY: Jacky Chen | | DATE: 11/01/21 | | FINISH | | MODLE: DETECTOR SWITCH | | | | | | | | | | |
| | | | | APPROVED BY: Tony Kao | | DATE: 11/01/21 | | SCALE: 1:1 | | DWG NO.: DS-C20A-S182 | | SIZE: A4 | | | | | | | | | | |
| | | | | TOLERANCE UNLESS OTHERWISE STATED: | | 3RD. ANGEL'S | | UNITS: MM | | SHEET NO.: 1 of 1 | | VER: R1 | | | | | | | | | | |
| 1 | 更新SCHEMATIC | Jack | 110121 | Up to 5 | ± 0.2 | <table border="1"> <tr> <td>Up to 5</td> <td>± 0.2</td> </tr> <tr> <td>Above 5 ~ 15</td> <td>± 0.3</td> </tr> <tr> <td>Above 15 ~ 30</td> <td>± 0.4</td> </tr> <tr> <td>Above 30 ~ 50</td> <td>± 0.5</td> </tr> <tr> <td>Angle</td> <td>$\pm 0.3^{\circ}$</td> </tr> </table> | Up to 5 | ± 0.2 | Above 5 ~ 15 | ± 0.3 | Above 15 ~ 30 | ± 0.4 | Above 30 ~ 50 | ± 0.5 | Angle | $\pm 0.3^{\circ}$ | | | | | PART NO.: DS-C20A-S182 | |
| Up to 5 | ± 0.2 | | | | | | | | | | | | | | | | | | | | | |
| Above 5 ~ 15 | ± 0.3 | | | | | | | | | | | | | | | | | | | | | |
| Above 15 ~ 30 | ± 0.4 | | | | | | | | | | | | | | | | | | | | | |
| Above 30 ~ 50 | ± 0.5 | | | | | | | | | | | | | | | | | | | | | |
| Angle | $\pm 0.3^{\circ}$ | | | | | | | | | | | | | | | | | | | | | |
| ITEM NO. | DESCRIPTION | DRAWN | DATE | | | | | | | | | | | | | | | | | | | |