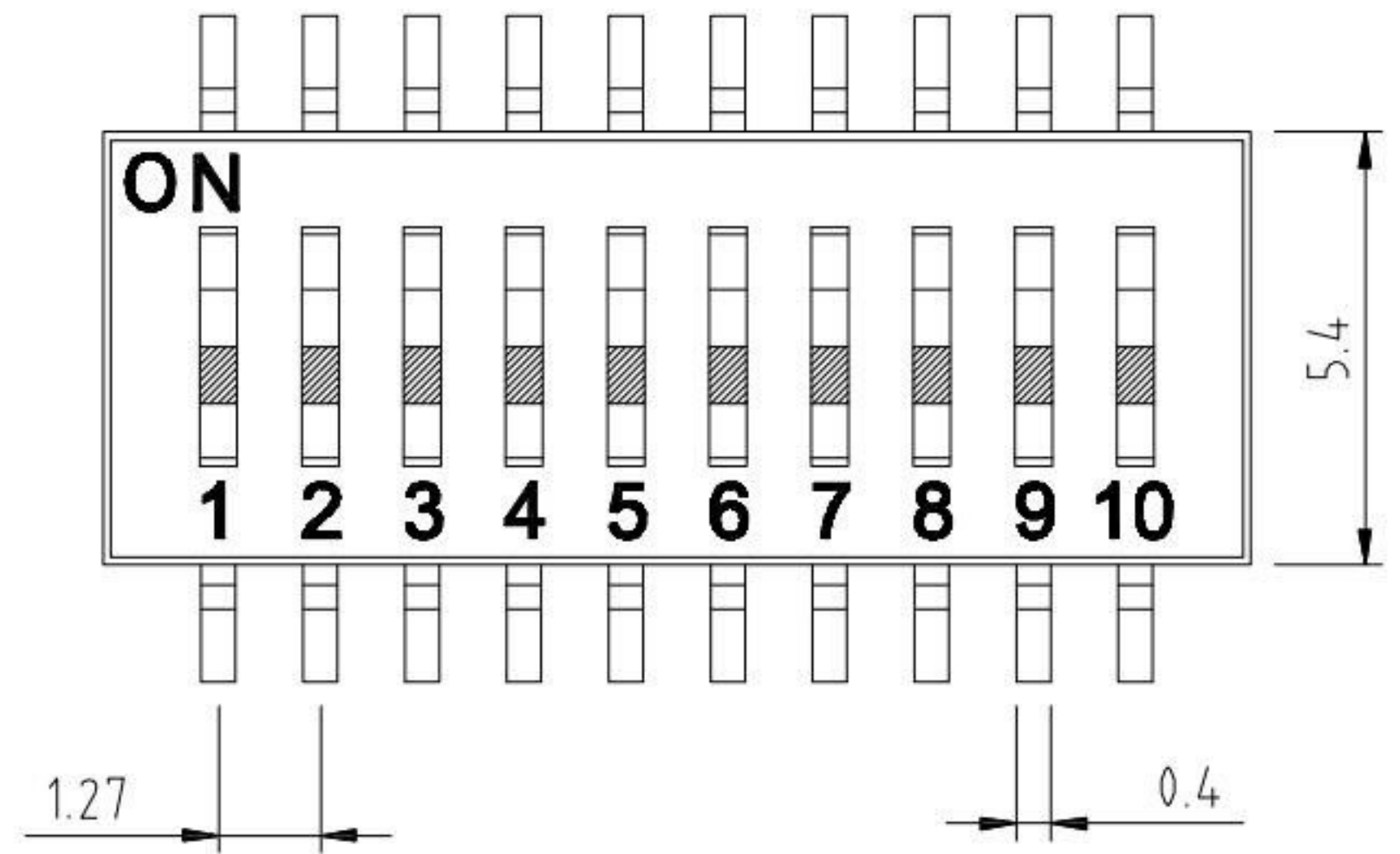


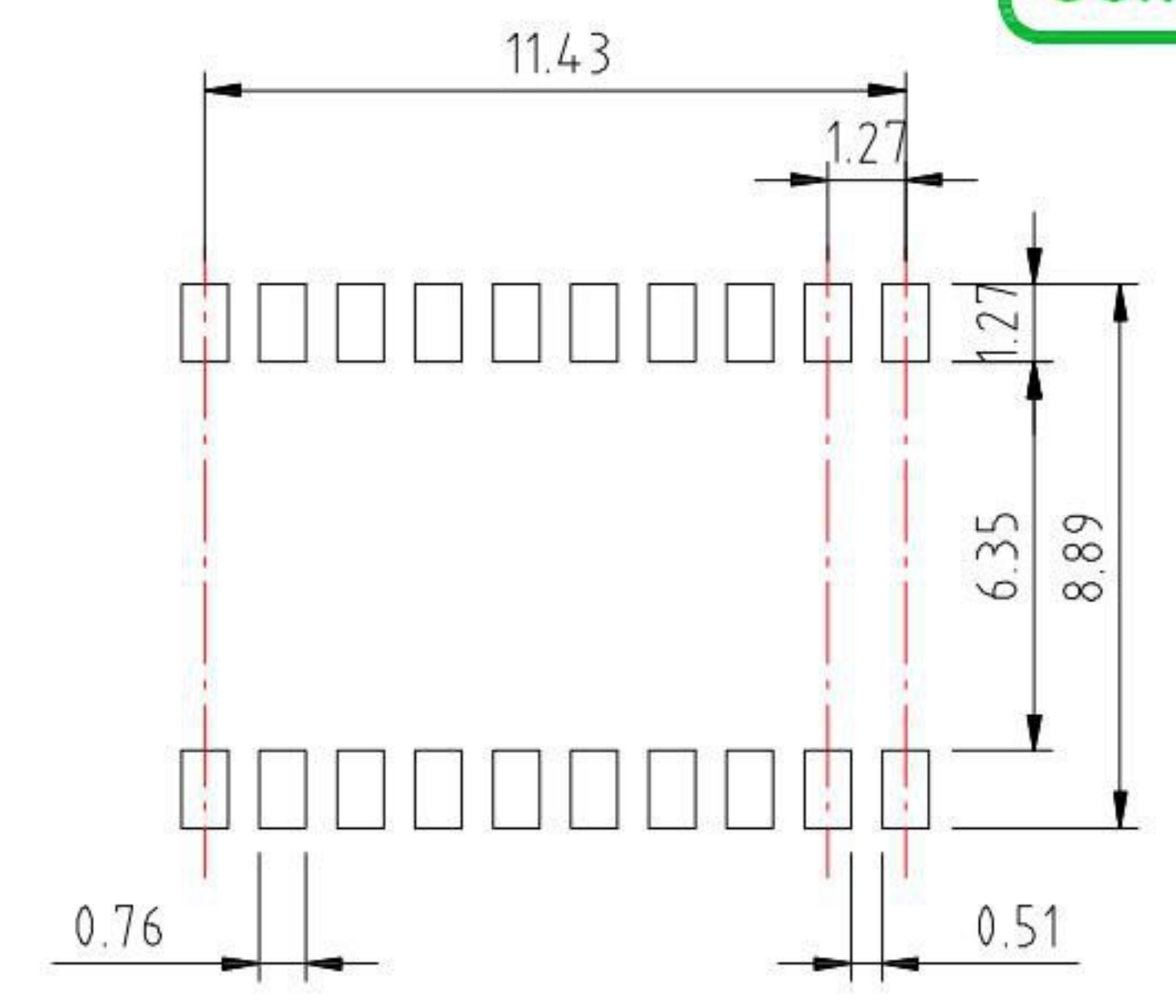


DSHPxxTSGEx

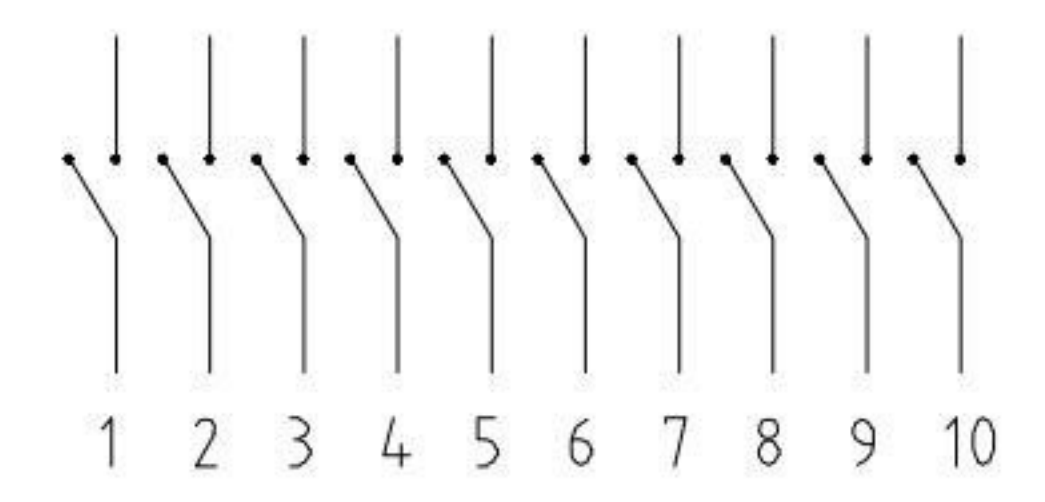
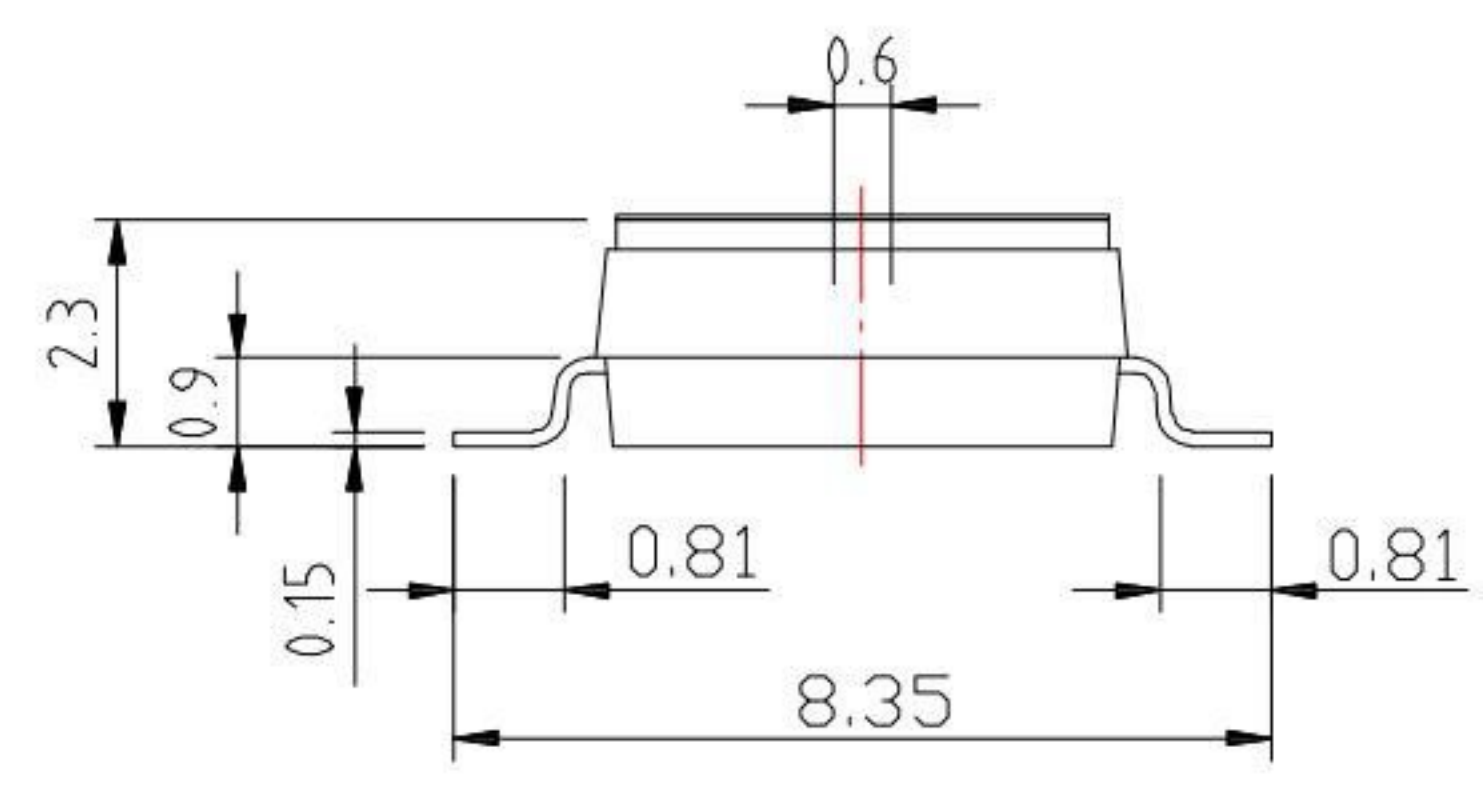
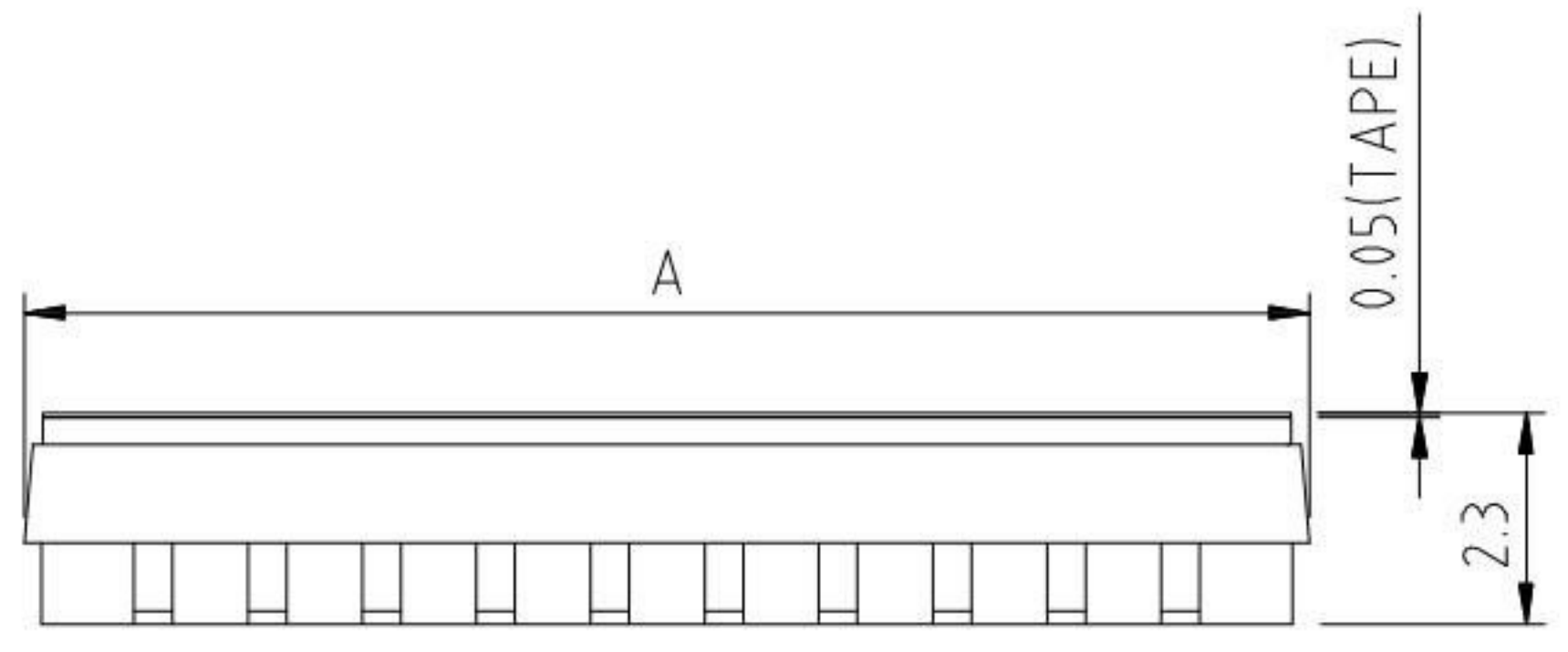
PIN數選項(N) Packing :
 R: Reel
 T: Tube



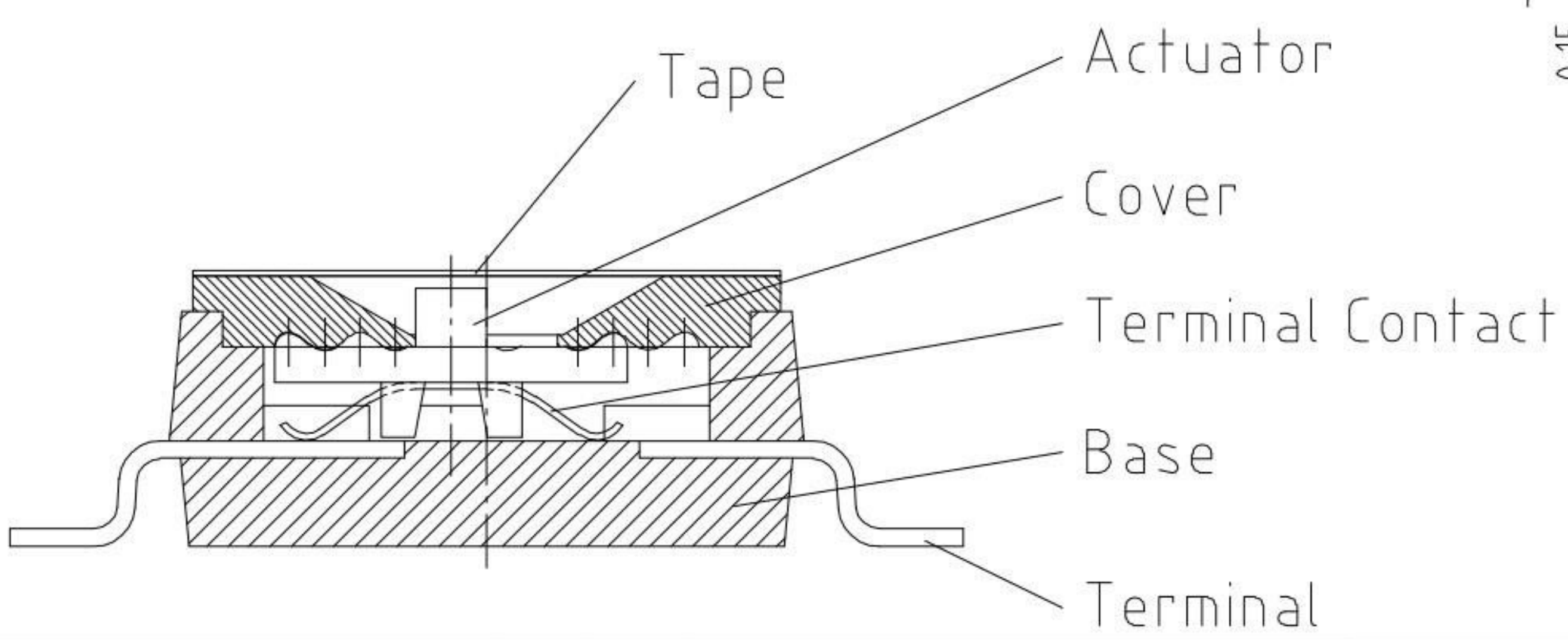
Poles(N)	A (mm)
01	2.87
02	4.12
03	5.41
04	6.66
05	7.93
06	9.20
08	11.74
10	14.28



P.C.B LAYOUT MOUNTING PATTERN



SCHEMATIC



Part Name	Material	Finished
Base	PPS	Black
Cover	PPS	Black
Actuator	PA9T	White
Movable	Beryllium	Gold
Terminal Contact	Brass	Gold
Terminal	Brass	Gold
Tape	PI	Amber

ITEM NO.	DESCRIPTION	DRAWN	DATE
6	更新材質	Jack	081921
5	更新圖面	Jack	070820
4	更新材質	Jack	080818
3	新增包裝選項	Jack	040918
2	更新材質	Jack	090116
1	更新材質	Jack	062013

KSD 科斯达电子科技有限公司
 SWITCH CONNECTOR KSD ELECTRONIC TECHNOLOGY Co., LTD
 全球 互聯零組件 制造企业

TOLERANCE UNLESS OTHERWISE STATED:
 Up to 5 ±0.2
 Above 5 ~ 15 ±0.3
 Above 15 ~ 30 ±0.4
 Above 30 ~ 50 ±0.5
 Angle ±0.3°

3RD. ANGEL'S

UNITS MM

DRAWN BY:	DATE	MAT'L	TITLE	SWITCH
Jack Lu	08/19/21			
CHECKED BY:	DATE	FINISH	MODLE	DIP SWITCH 1.27MM
Jacky Chen	08/19/21			
APPROVED BY:	DATE	SCALE	DWG NO.	DSHPxxTSGEx
Tony Kao	08/19/21	1:1		
		SHEET NO.	PART NO.	DSHPxxTSGEx
		1 of 1		

SIZE
A4
VER
R6