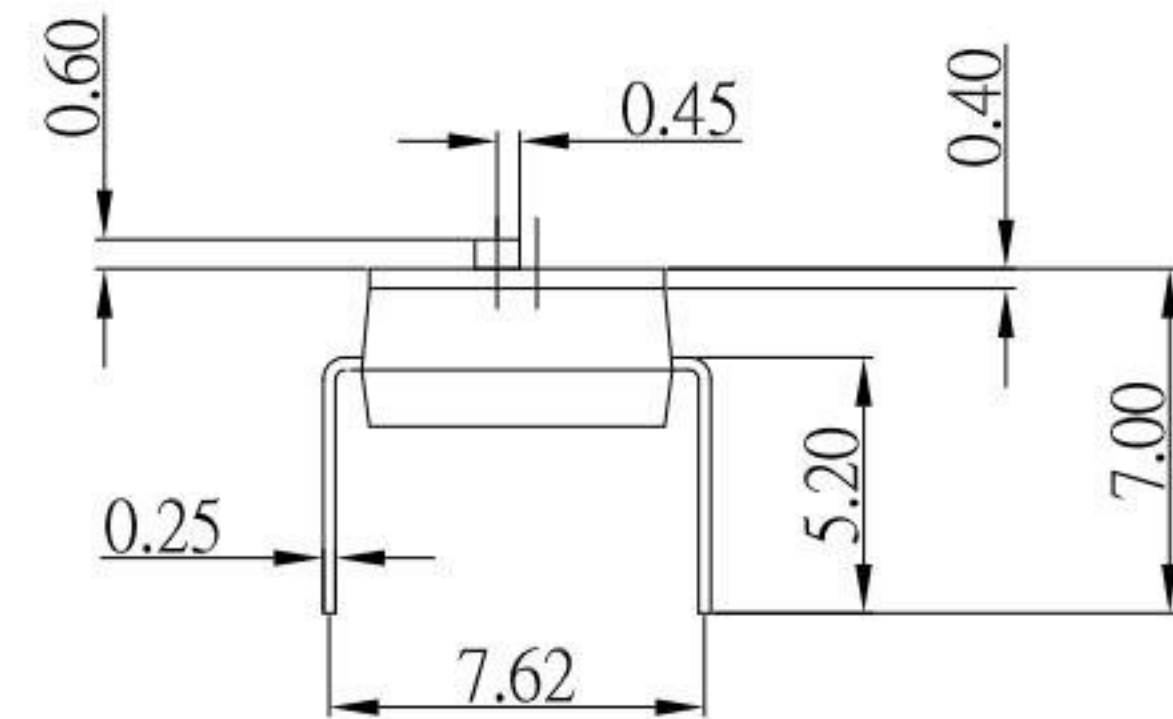
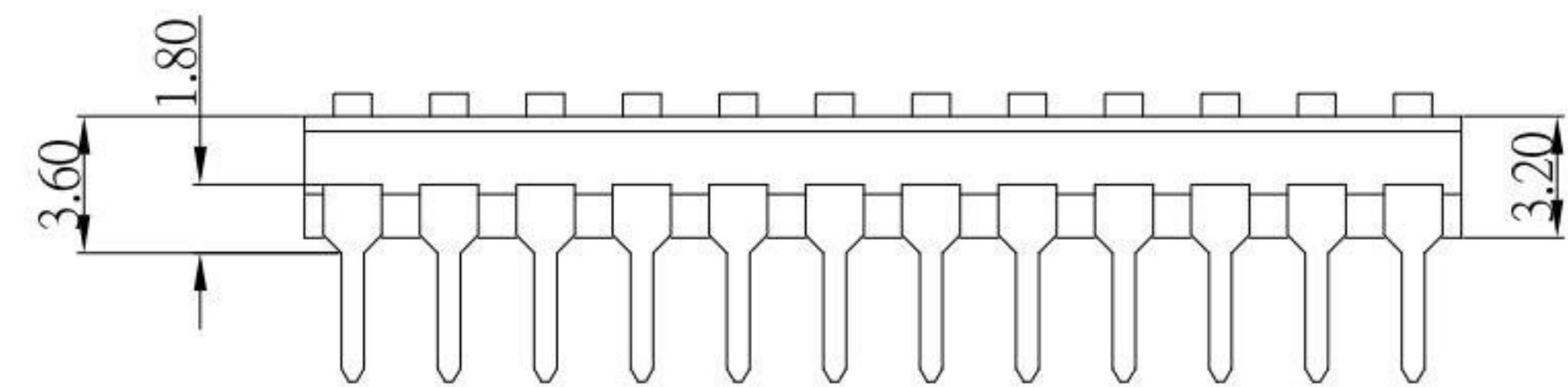
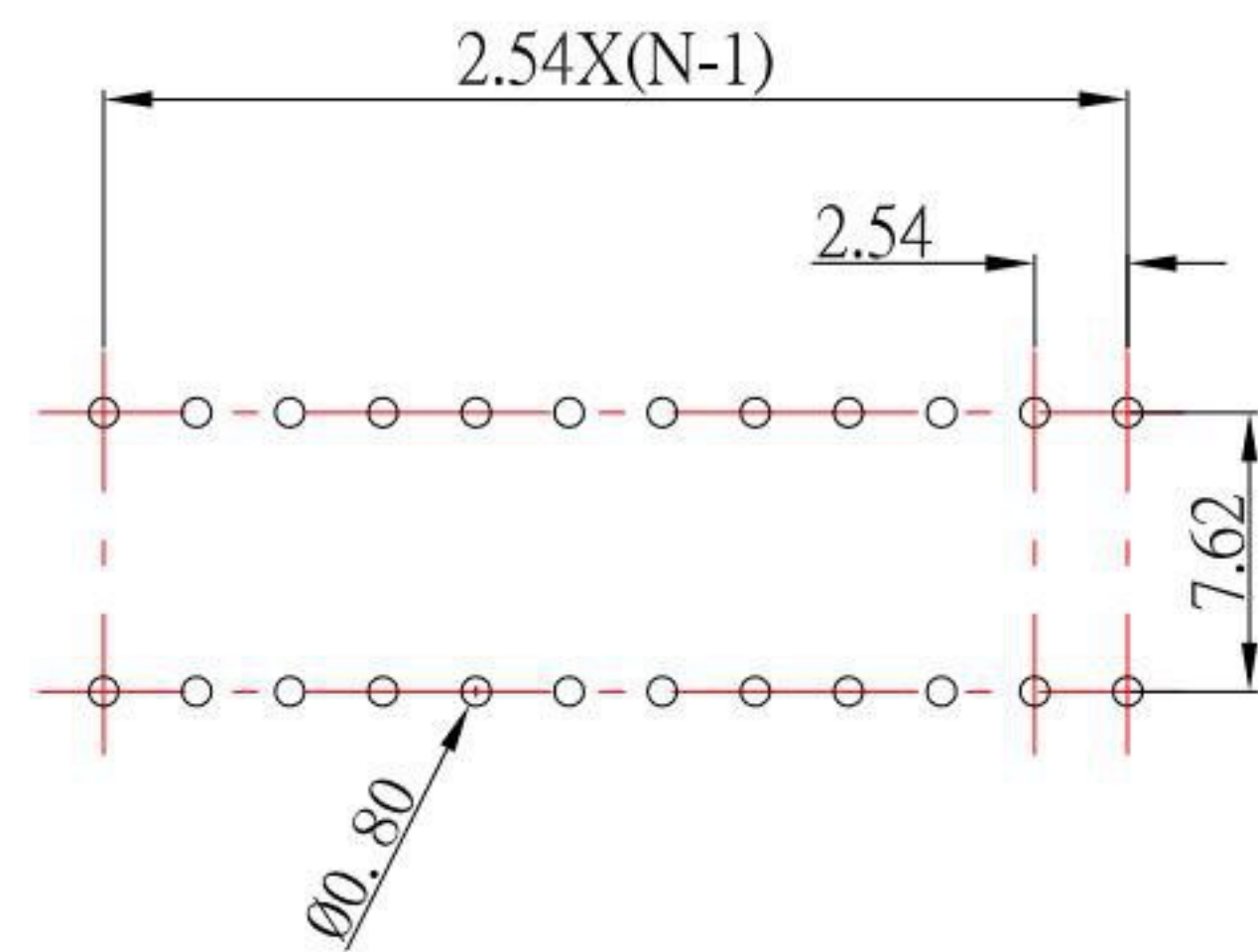


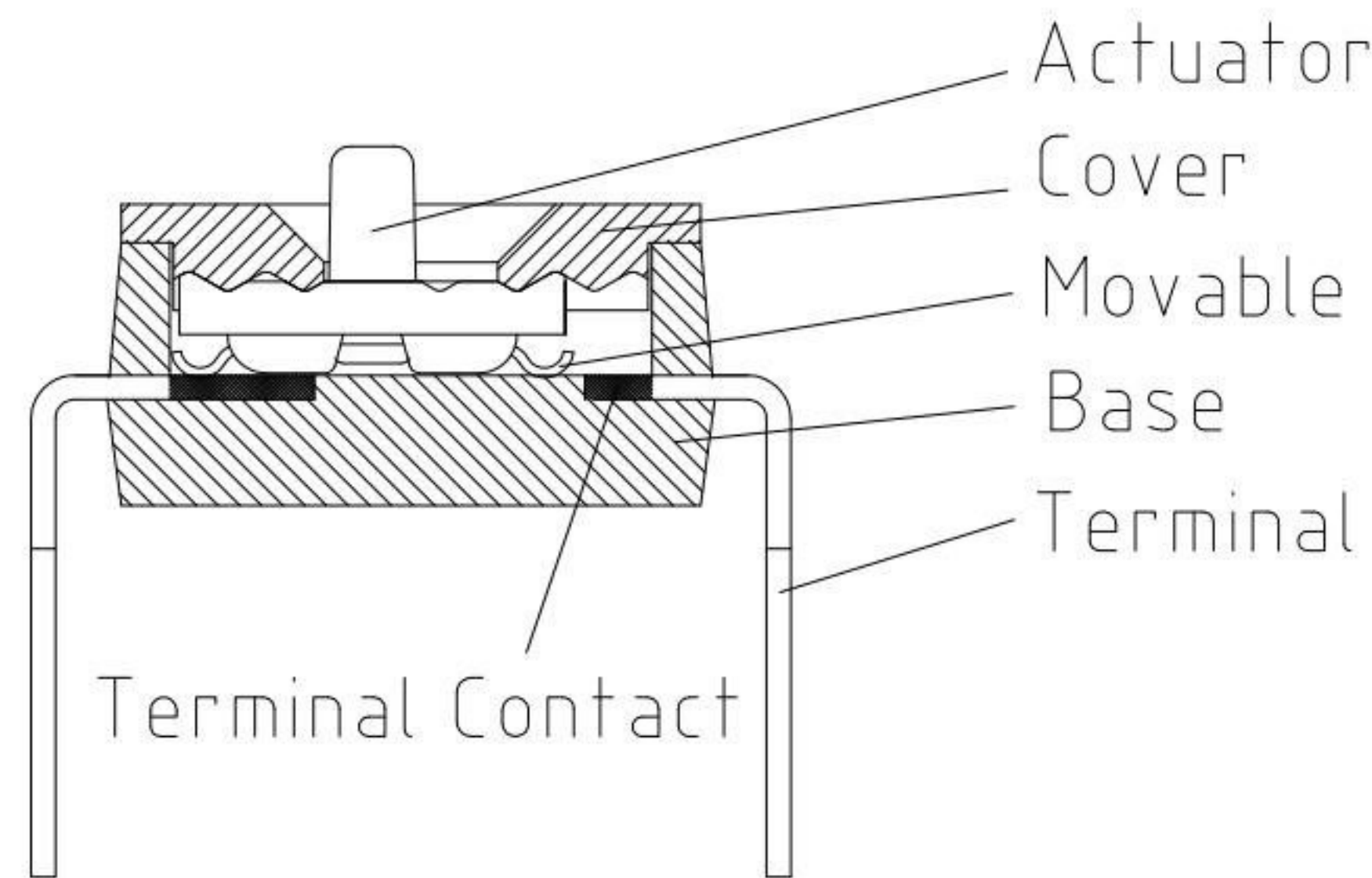
SCHMATIC



Poles(N)	A (mm)
01	2.54
02	5.08
03	7.62
04	10.16
05	12.70
06	15.24
07	17.78
08	20.32
09	22.86
10	25.40
12	30.48



P.C.B LAYOUT MOUNTING PATTERN

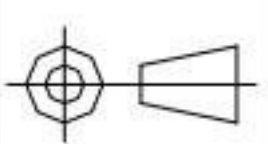


Part Name	Material	Finished
Base	PPS UL94 V0	Black
Cover	PPS UL94 V0	Black
Actuator	Nylon UL94 V0	White
Movable	Phosphor Bronze	Gold
Terminal Contact	Brass	Gold
Terminal	Brass	Gold

KSD 科斯达电子科技有限公司
 SWITCH CONNECTOR KSD ELECTRONIC TECHNOLOGY Co., LTD
 全球 互联零组件制造企业

TOLERANCE UNLESS OTHERWISE STATED:
 Up to 5 ±0.2
 Above 5 ~ 15 ±0.3
 Above 15 ~ 30 ±0.4
 Above 30 ~ 50 ±0.5
 Angle ±0.3°

3RD. ANGEL'S



UNITS MM

DRAWN BY: Jack Lu DATE: 07/25/13
 CHECKED BY: Jacky Chen DATE: 07/25/13
 APPROVED BY: Tony Kao DATE: 07/25/13

MAT'L
 FINISH
 SCALE 1:1
 SHEET NO. 1 of 1

TITLE SWITCH
 MODLE DIP SWITCH
 DWG NO. DSICxxLHGET
 PART NO. DSICxxLHGET

SIZE A4
 VER A0

ITEM NO.	DESCRIPTION	DRAWN	DATE