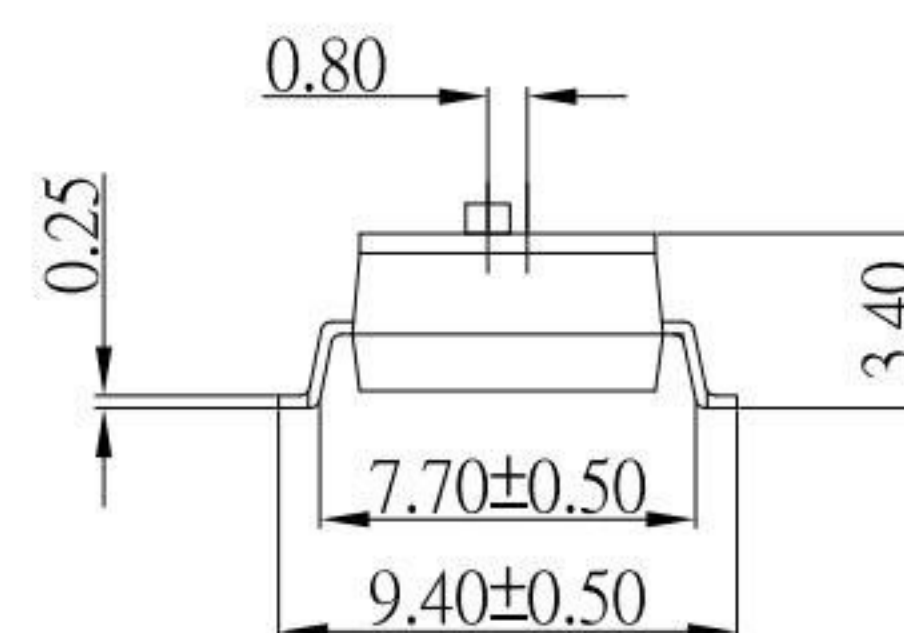
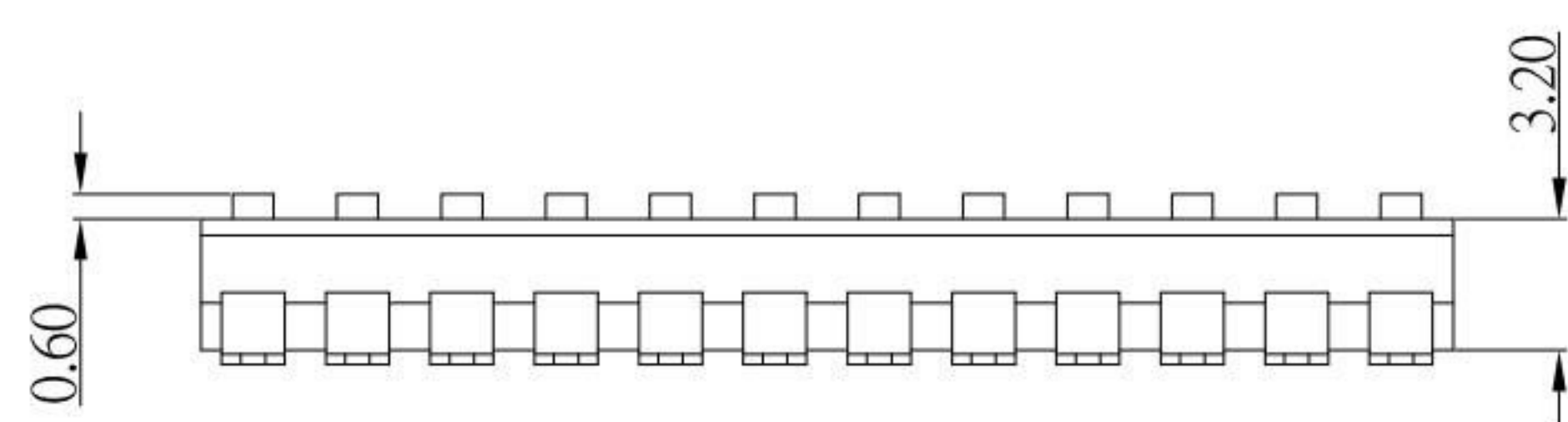
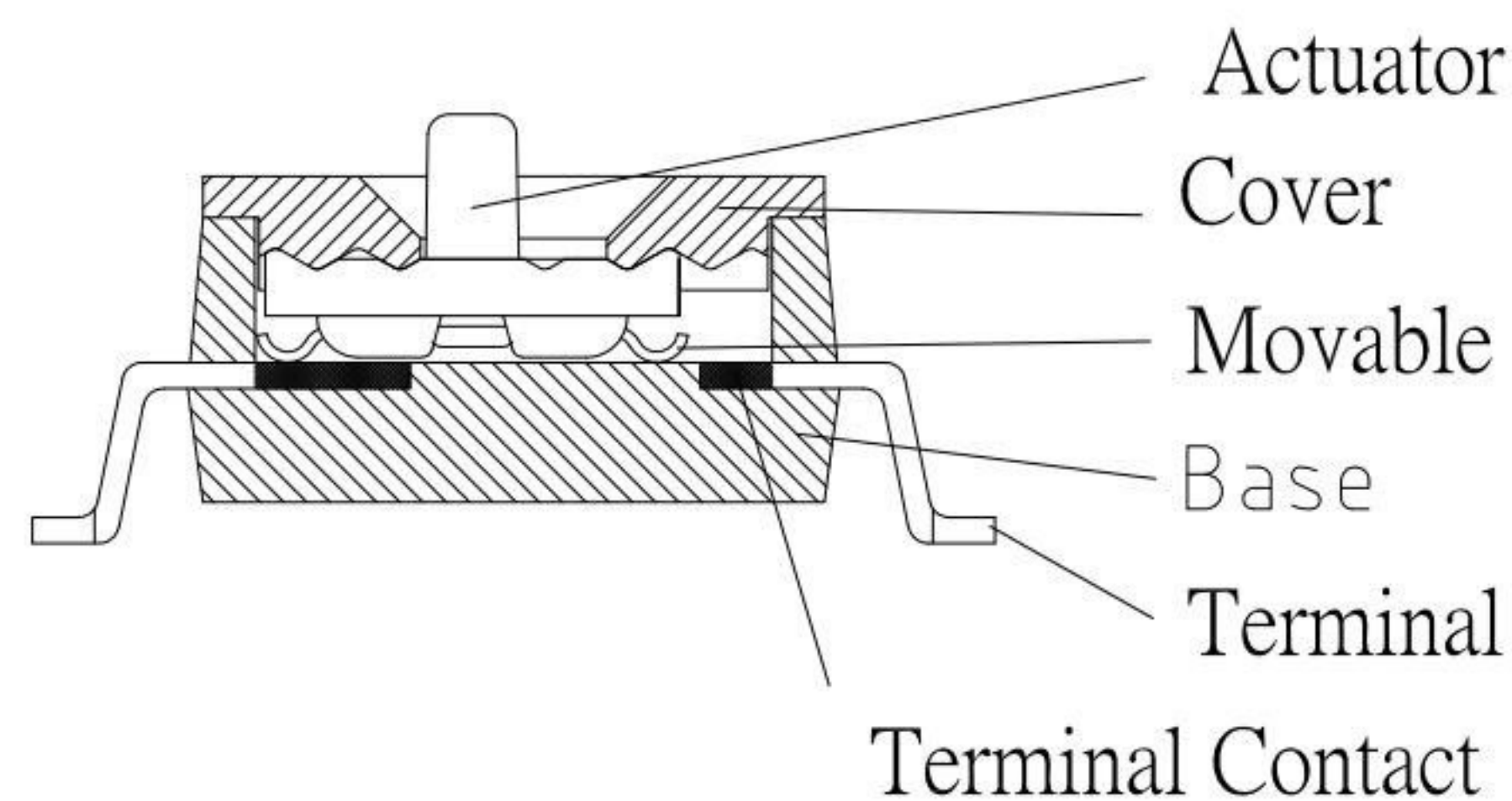


P.C.B LAYOUT MOUNTING PATTERN

SCHEMATIC



DSIC_{xx}LSGEx
 PIN數選項(N) ——— Packing :
 R: Reel
 T : Tube



| Part Name | Material | Finished |
|------------------|-----------------|----------|
| Base | PPS UL94 V0 | Black |
| Cover | PPS UL94 V0 | Black |
| Actuator | PA9T UL94 V0 | White |
| Movable | Phosphor Bronze | Gold |
| Terminal Contact | Brass | Gold |
| Terminal | Brass | Gold |

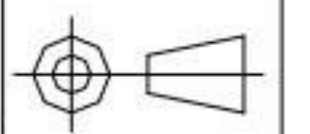
| Poles(N) | A (mm) |
|----------|--------|
| 01 | 2.80 |
| 02 | 5.08 |
| 03 | 7.62 |
| 04 | 10.16 |
| 05 | 12.70 |
| 06 | 15.24 |
| 07 | 17.78 |
| 08 | 20.32 |
| 09 | 22.86 |
| 10 | 25.40 |
| 12 | 30.48 |

| ITEM NO. | DESCRIPTION | DRAWN | DATE |
|----------|-------------|-------|--------|
| 3 | 更新尺寸 | Jack | 121521 |
| 2 | 更新材質 | Jack | 091321 |
| 1 | 新增尺寸及公差 | Jack | 112114 |

KSD 科斯达电子科技有限公司
 SWITCH CONNECTOR 全球 互聯零組件製造企業
KSD ELECTRONIC TECHNOLOGY Co., LTD

TOLERANCE UNLESS OTHERWISE STATED :
 Up to 5 ±0.2
 Above 5 ~ 15 ±0.3
 Above 15 ~ 30 ±0.4
 Above 30 ~ 50 ±0.5
 Angle ±0.3°

3RD. ANGEL'S



UNITS MM

| | | | | |
|--------------|----------|-----------|----------|--------------------------|
| DRAWN BY: | DATE | MAT'L | TITLE | SWITCH |
| Jack Lu | 12/15/21 | | | |
| CHECKED BY: | DATE | FINISH | MODLE | DIP SWITCH |
| Jacky Chen | 12/15/21 | | | |
| APPROVED BY: | DATE | SCALE | DWG NO. | DSIC _{xx} LSGEx |
| Tony Kao | 12/15/21 | 1 : 1 | | |
| | | SHEET NO. | PART NO. | DSIC _{xx} LSGEx |
| | | 1 of 1 | | |

SIZE A4
 VER R3