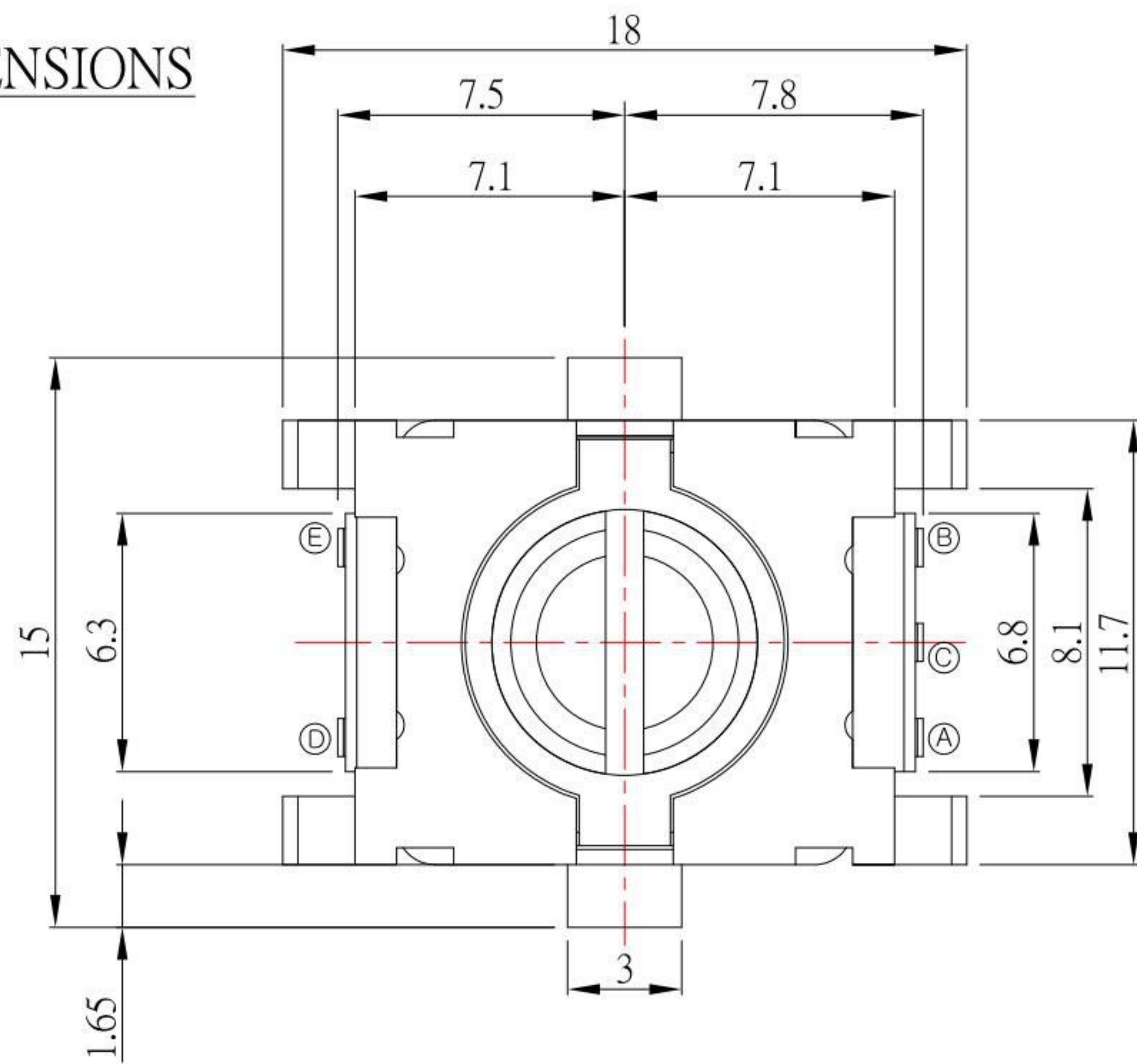
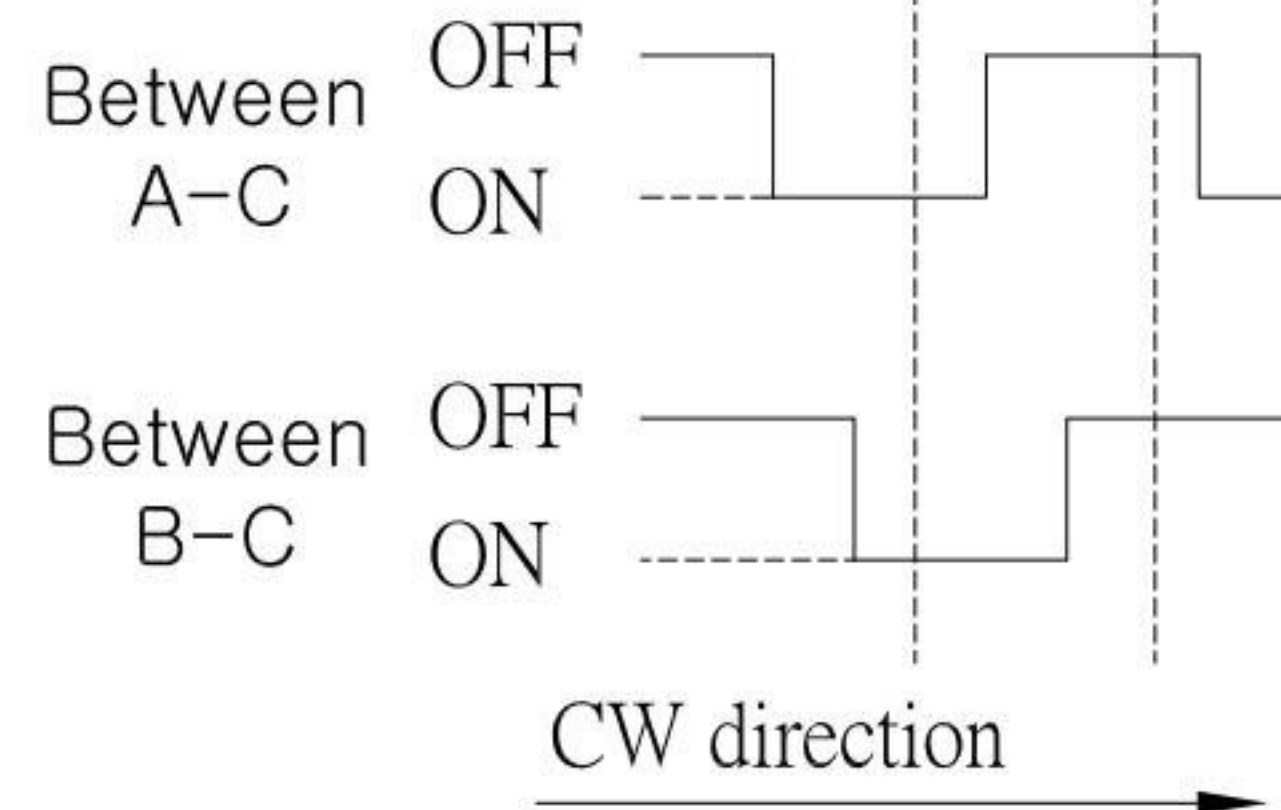


DIMENSIONS



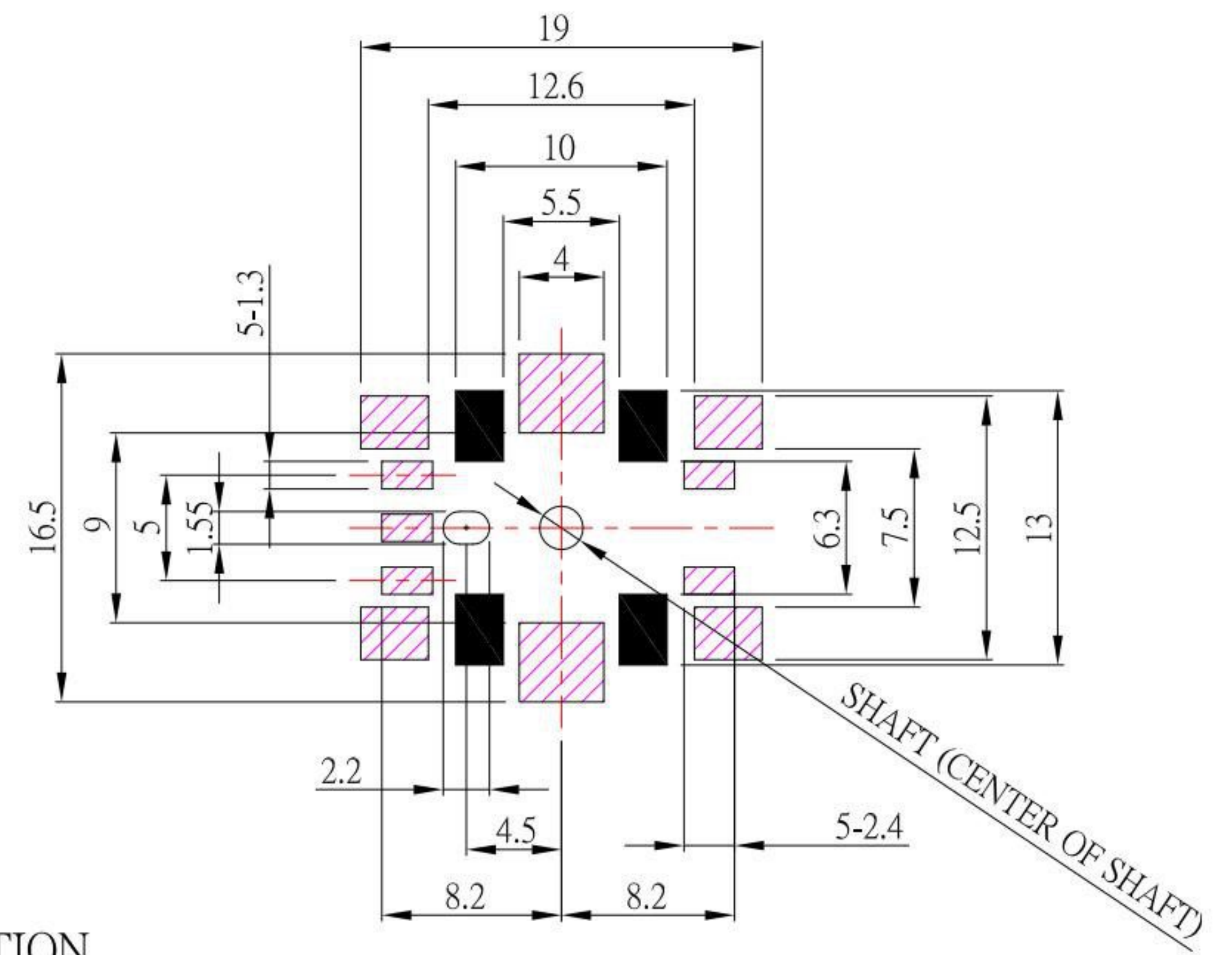
(SW01) ENCODER
(SW02) PUSH ON SW

CLICK Position

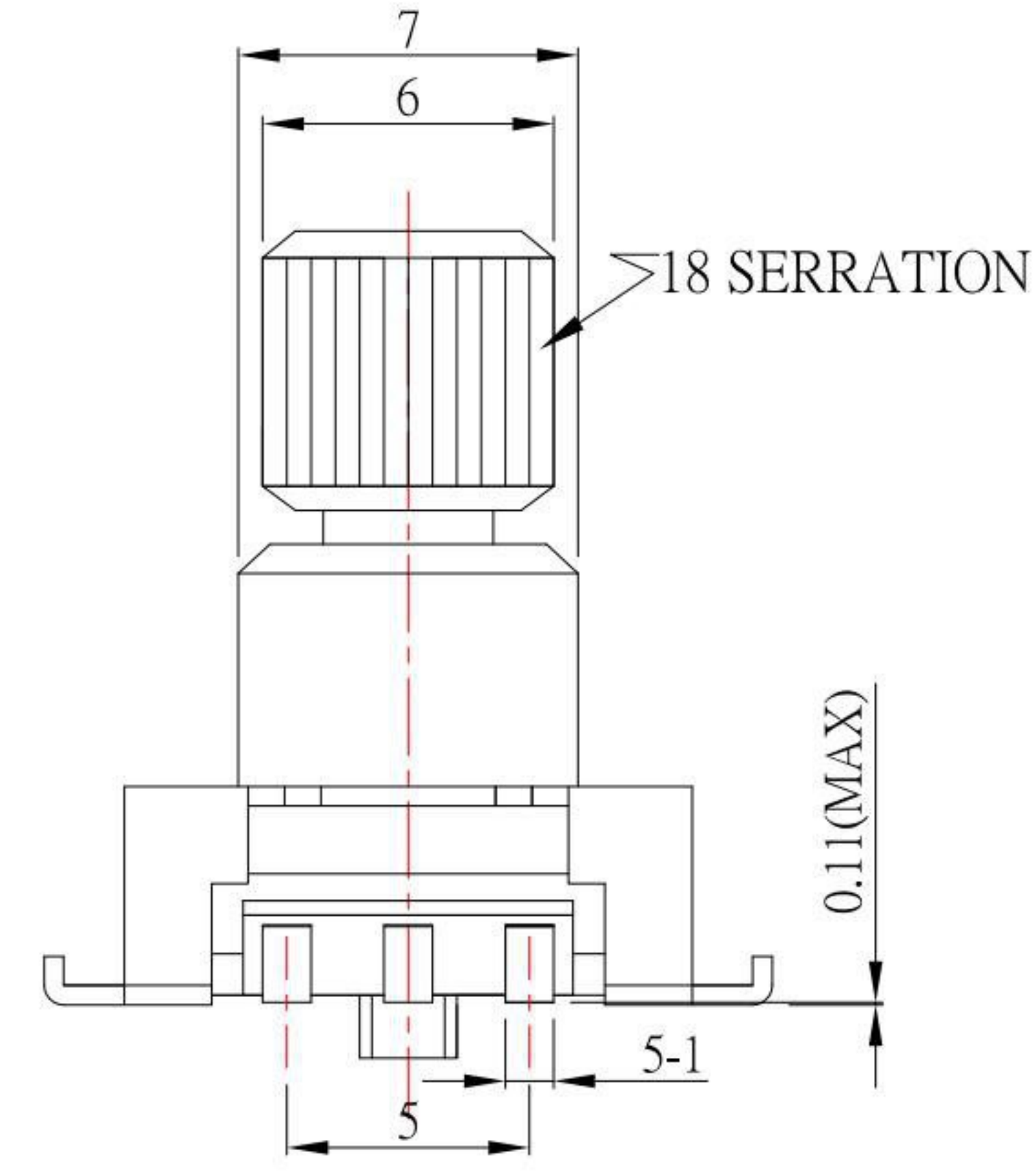
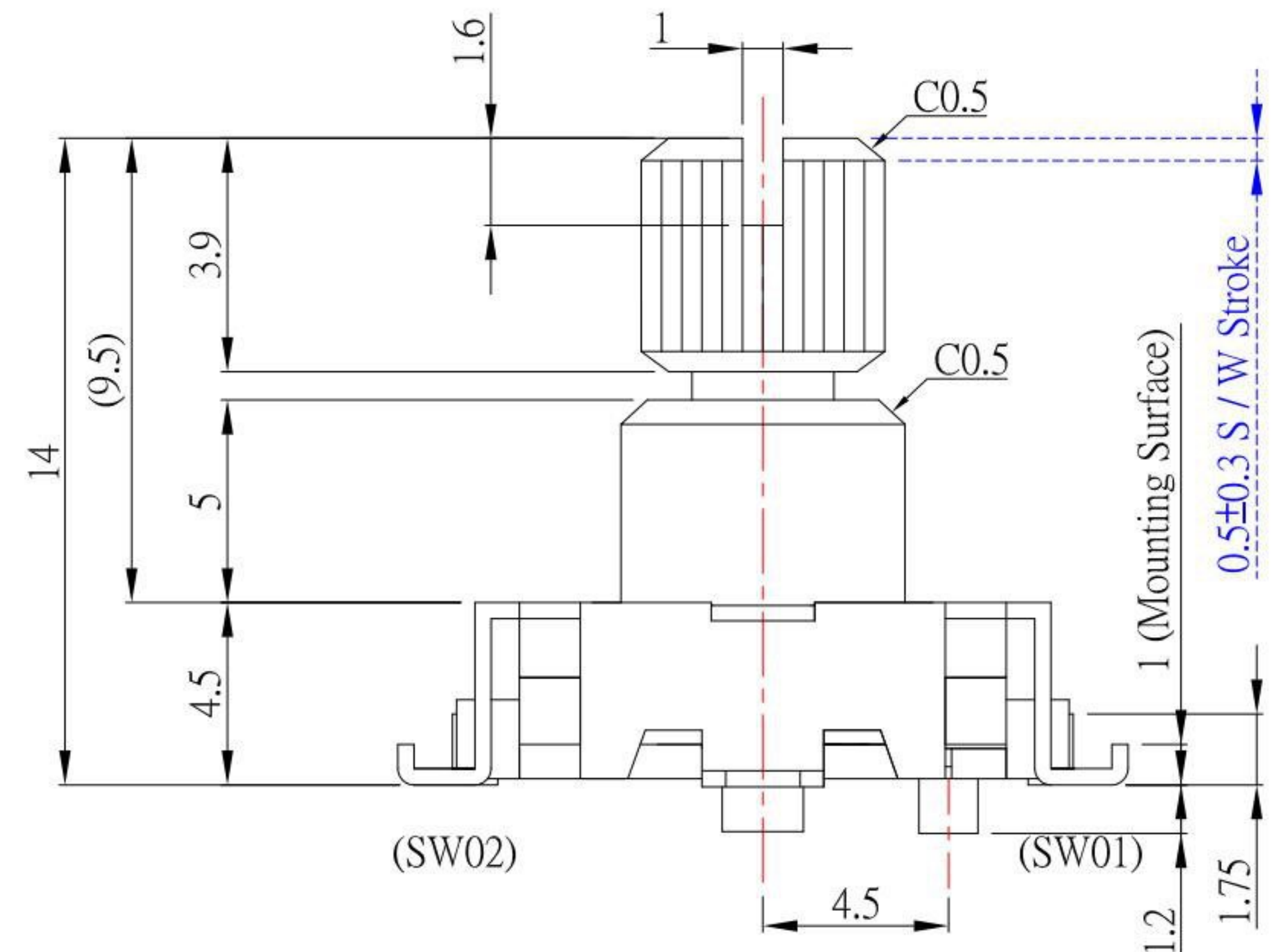
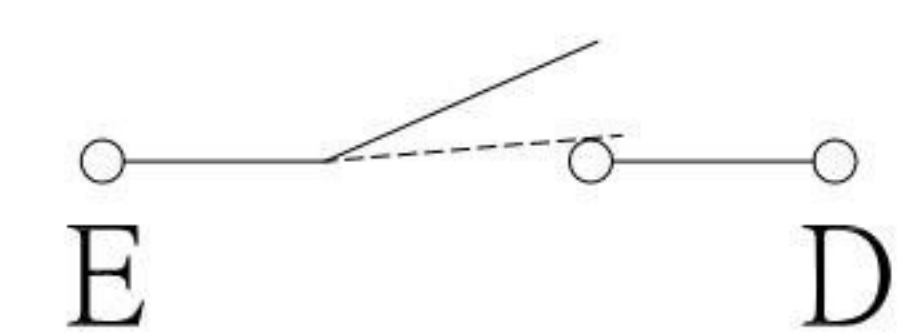


(SW01) OUTPUT

P.C.BOARD MOUNTING HOLE DIMENSIONS



(SW02)CIRCUIT DIAGRAM



KSD 科斯达电子科技有限公司
SWITCH CONNECTOR KSD ELECTRONIC TECHNOLOGY Co., LTD
全球 互联零组件制造企业

TOLERANCE UNLESS OTHERWISE STATED:	Up to 5 ±0.2	Above 5 ~ 15 ±0.3	Above 15 ~ 30 ±0.4	Above 30 ~ 50 ±0.5	Angle ±0.3
	3RD. ANGEL'S	UNITS	MM		

DRAWN BY:	DATE	MAT'L	TITLE	ENCODER
Jack Lu	07/23/13		MODLE	ENCODER W/I SWITCH
CHECKED BY:	DATE	SCALE	DWG NO.	E-C11E15-14
Jacky Chen	07/23/13	1 : 1	PART NO.	E-C11E15-14
APPROVED BY:	DATE	SHEET NO.		
Tony Kao	07/23/13	1 of 1		

ITEM NO.	DESCRIPTION	DRAWN	DATE
2	公差及料號更新	Jack	072313
1	圖面更新	Frank Wu	021012

SIZE	A4
VER	R2