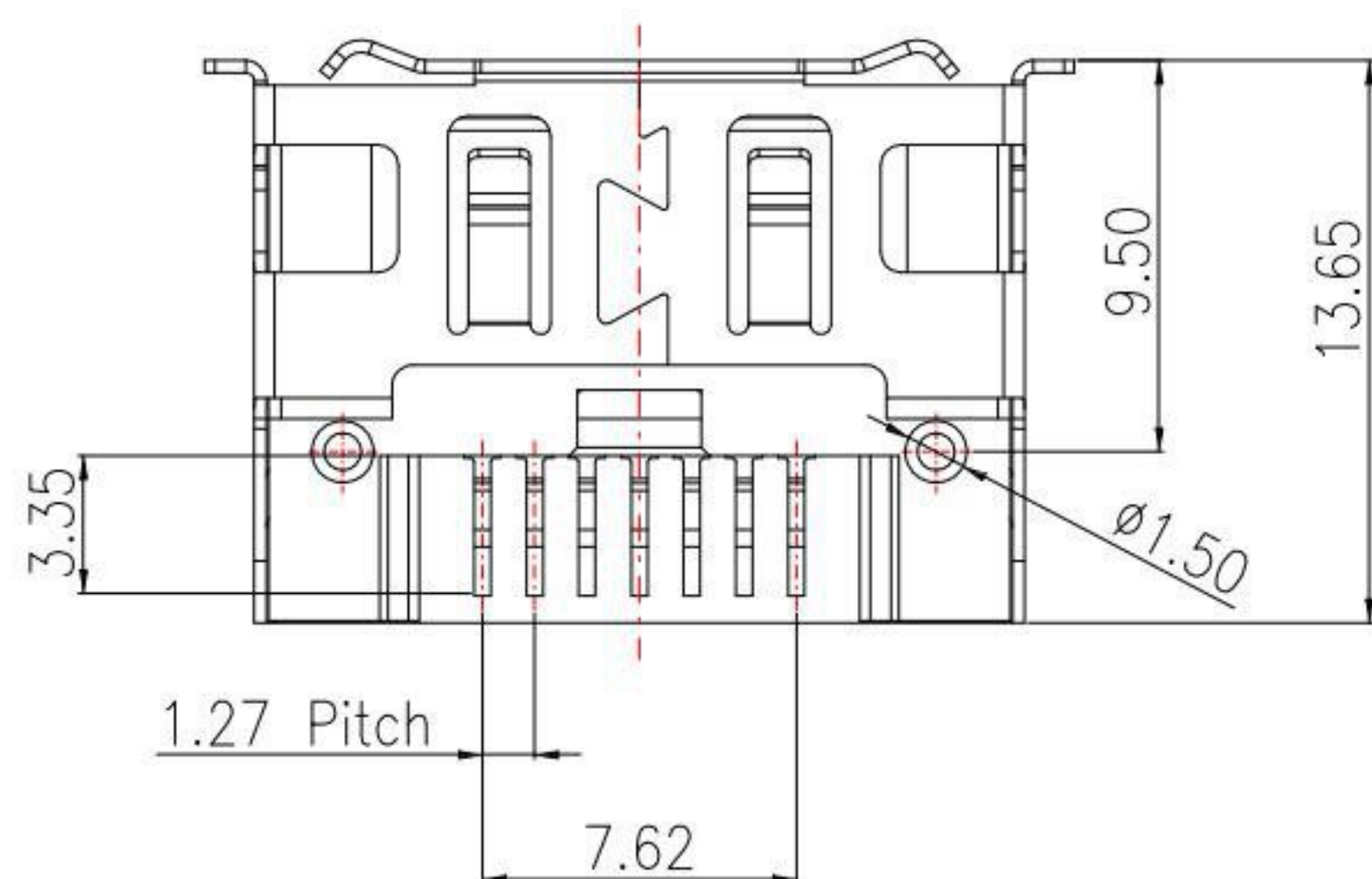
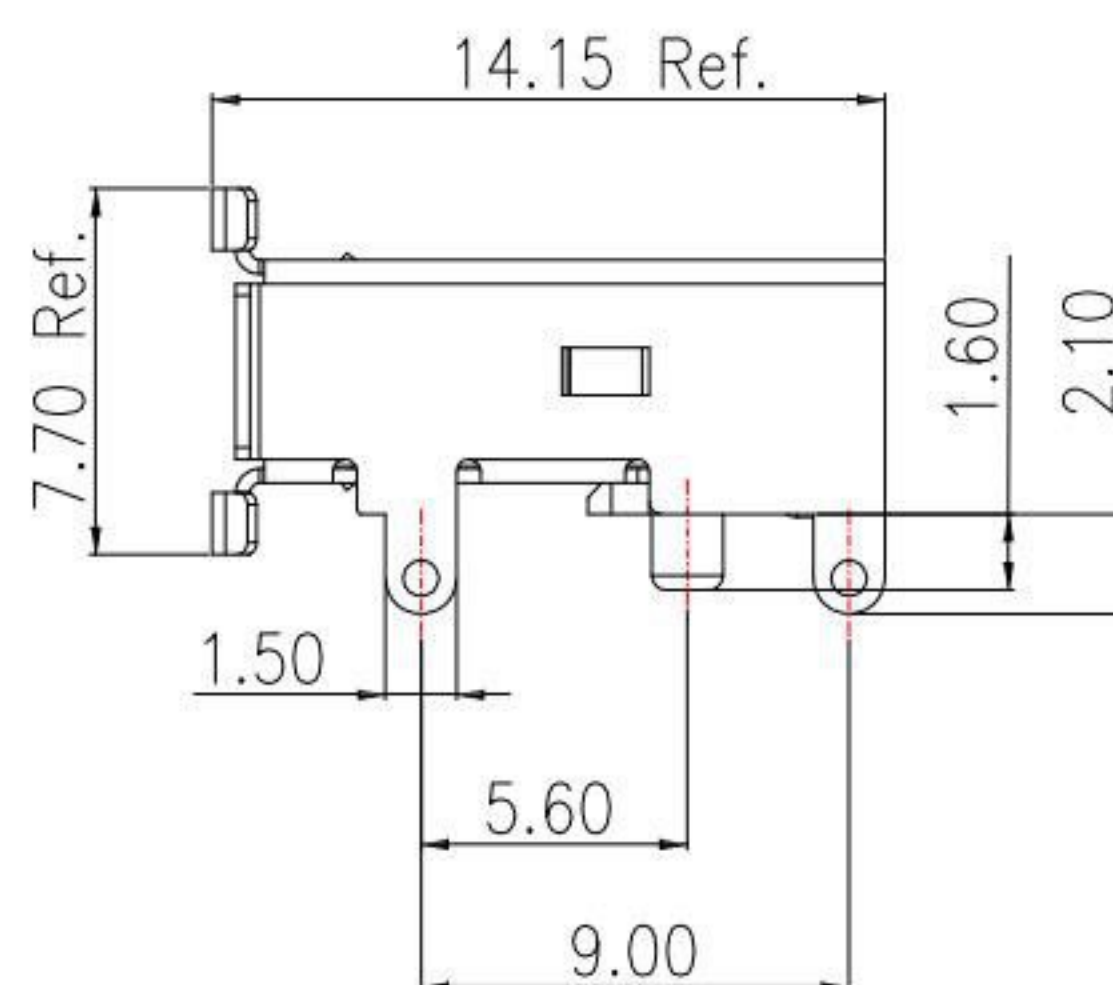
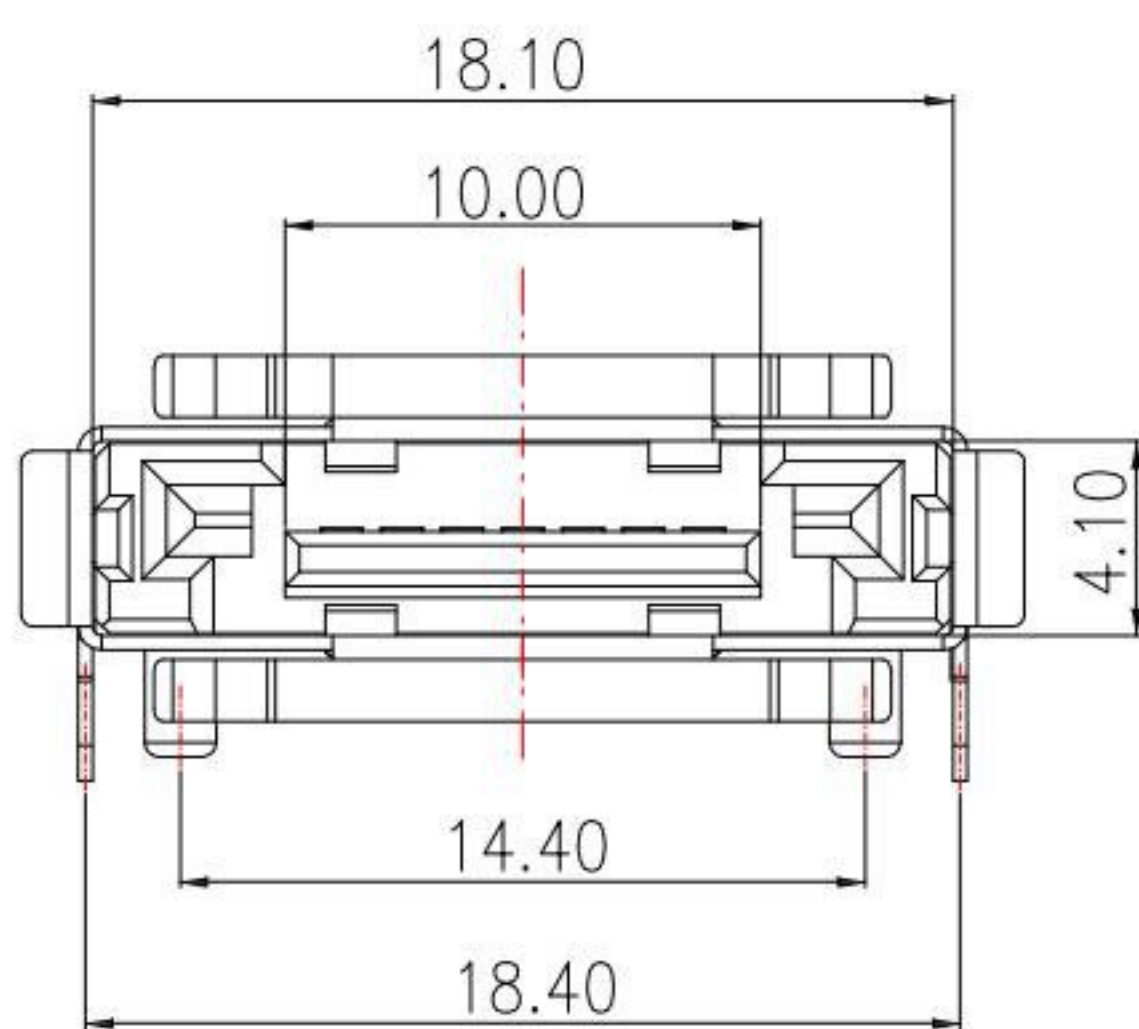


RECOMMENDED PCB LAYOUT



EST-M07-535S-x-S268

鍍層厚度:

Blank	1u"
2	15u"
3	30u"

SPECIFICATION:

1.MATERIAL:

HOUSING: LCP , UL 94V-0 , Black.

CONTACT: BRASS

SHELL: BRASS

2.Finish:

Contact: Plated Gold in Mating Area ;

Tin Plated on Solder Balls ;

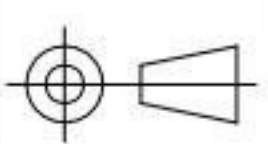
Nickel under plated overall

Shell: Nickel under Plated surface layer

**KSD** 科斯达电子科技有限公司  
 SWITCH CONNECTOR KSD ELECTRONIC TECHNOLOGY Co., LTD  
 全球 互聯零組件製造企業

TOLERANCE UNLESS OTHERWISE STATED :  
 Up to 5 ±0.2  
 Above 5 ~ 15 ±0.3  
 Above 15 ~ 30 ±0.4  
 Above 30 ~ 50 ±0.5  
 Angle ±0.3°

3RD. ANGEL'S



UNITS MM

DRAWN BY: Jack Lu DATE: 11/18/13  
 CHECKED BY: Jacky Chen DATE: 11/18/13  
 APPROVED BY: Tony Kao DATE: 11/18/13

MAT'L		TITLE	CONNECTOR
FINISH		MODLE	ESATA 7P Male Front R/A DIP TYPE
SCALE	1 : 1	DWG NO.	EST-M07-535S-x-S268
SHEET NO.	1 of 1	PART NO.	EST-M07-535S-x-S268

SIZE A4  
 VER R

ITEM NO.	DESCRIPTION	DRAWN	DATE