

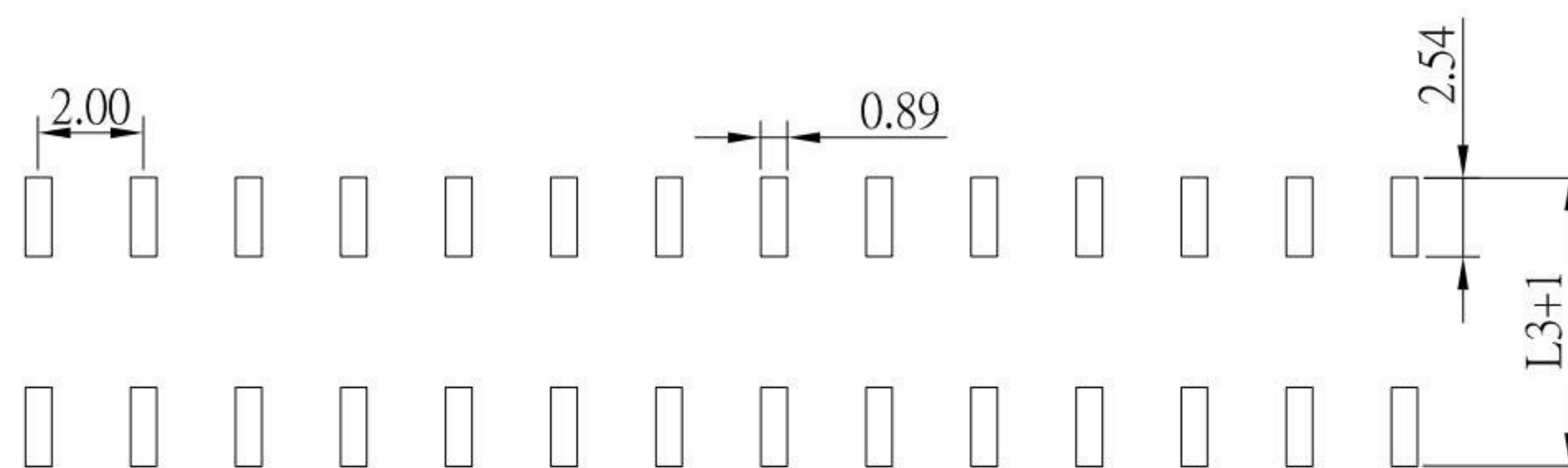
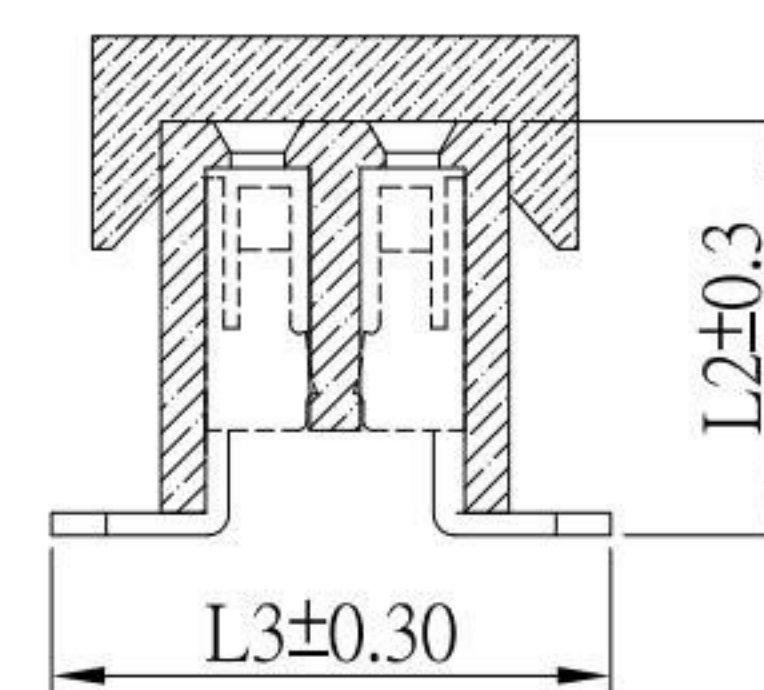
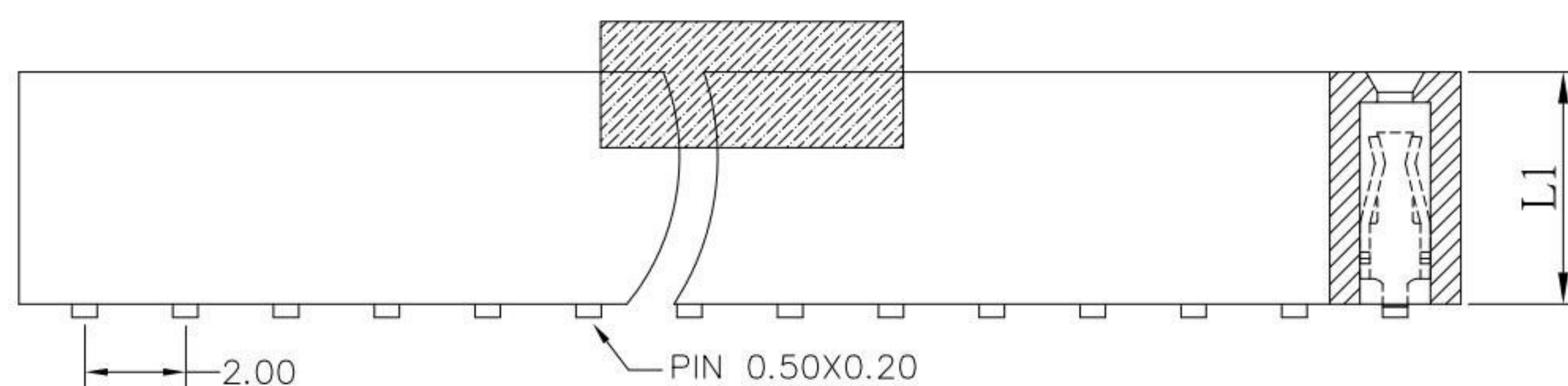
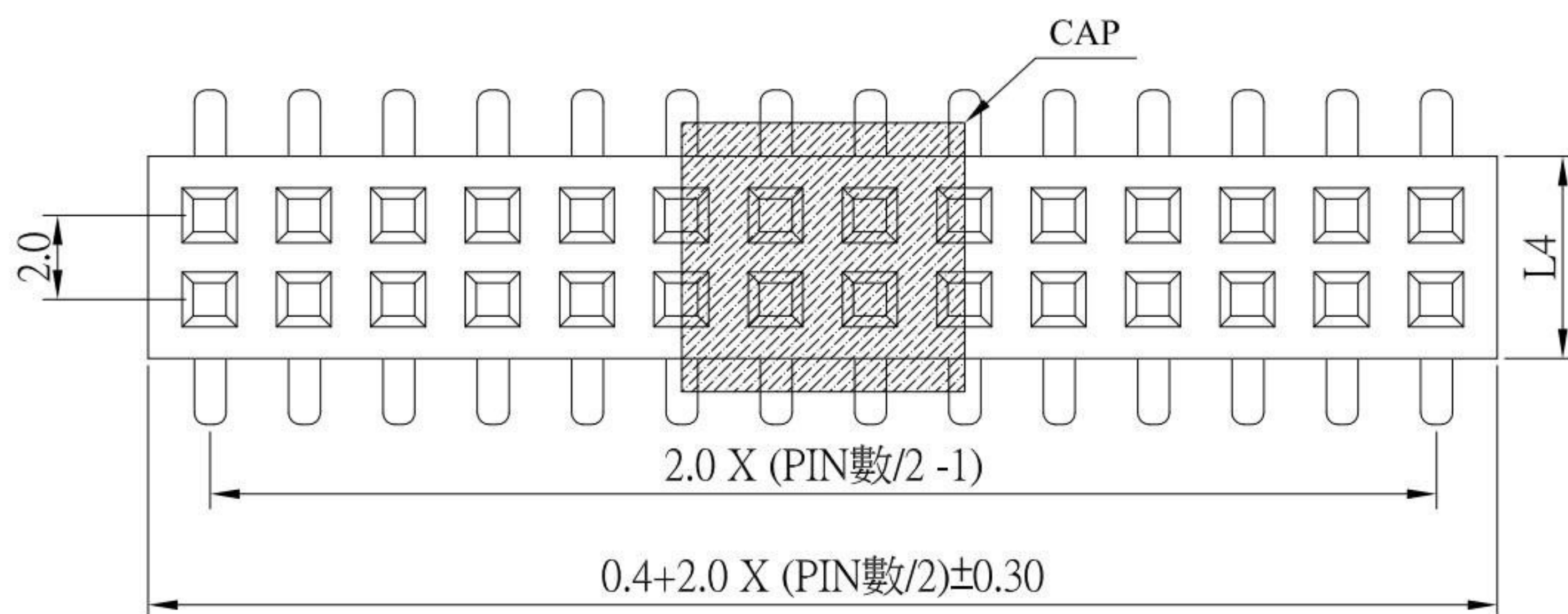


# FH-B31-x2xxxC-S304

Insulator Material: 2 : LCP  
3 : PA6T

PIN數

	L1	L2	L3	L4
A	4.00	4.30	6.20	4.00
B	4.30	4.60	6.00	4.00
C	4.30	4.60	6.20	4.00
D	6.35	6.75	6.40	4.00



P.C.B. LAYOUT

## SPECIFICATIONS:

- 1.Current Rating : 1.5 AMP
- 2.Insulation Resistance : 1000MΩ Min
- 3.Dielectric Withstanding : 500V AC
- 4.Contact Resistance : 20mΩ Max

## MATERIALS:

- 1.Contact : Brass
- 2.Insulator : Polyester
- 3.Contact Finish : Gold Plated over Nickel

ITEM NO.	DESCRIPTION	DRAWN	DATE
4	新增尺寸選項	Jack	061521
3	新增尺寸選項	Jack	031920
2	新增尺寸選項	Jack	031320
1	新增材質選項	Jack	102919

**KSD** 科斯达电子科技有限公司  
 SWITCH CONNECTOR KSD ELECTRONIC TECHNOLOGY Co., LTD  
 全球 互聯零組件製造企業

TOLERANCE UNLESS OTHERWISE STATED :  
 Up to 5 ±0.2  
 Above 5 ~ 15 ±0.3  
 Above 15 ~ 30 ±0.4  
 Above 30 ~ 50 ±0.5  
 Angle ±0.3°

3RD. ANGEL'S

UNITS MM

DRAWN BY:	DATE	MAT'L	TITLE	SIZE
Jack Lu	06/16/21		Female Header	
CHECKED BY:	DATE	FINISH	MODLE	
Jacky Chen	06/16/21		Female Header 加CAP	
APPROVED BY:	DATE	SCALE	DWG NO.	
Tony Kao	06/16/21	1 : 1	FH-B31-x2xxxC-S304	
SHEET NO.		PART NO.		
1 of 1		FH-B31-x2xxxC-S304		