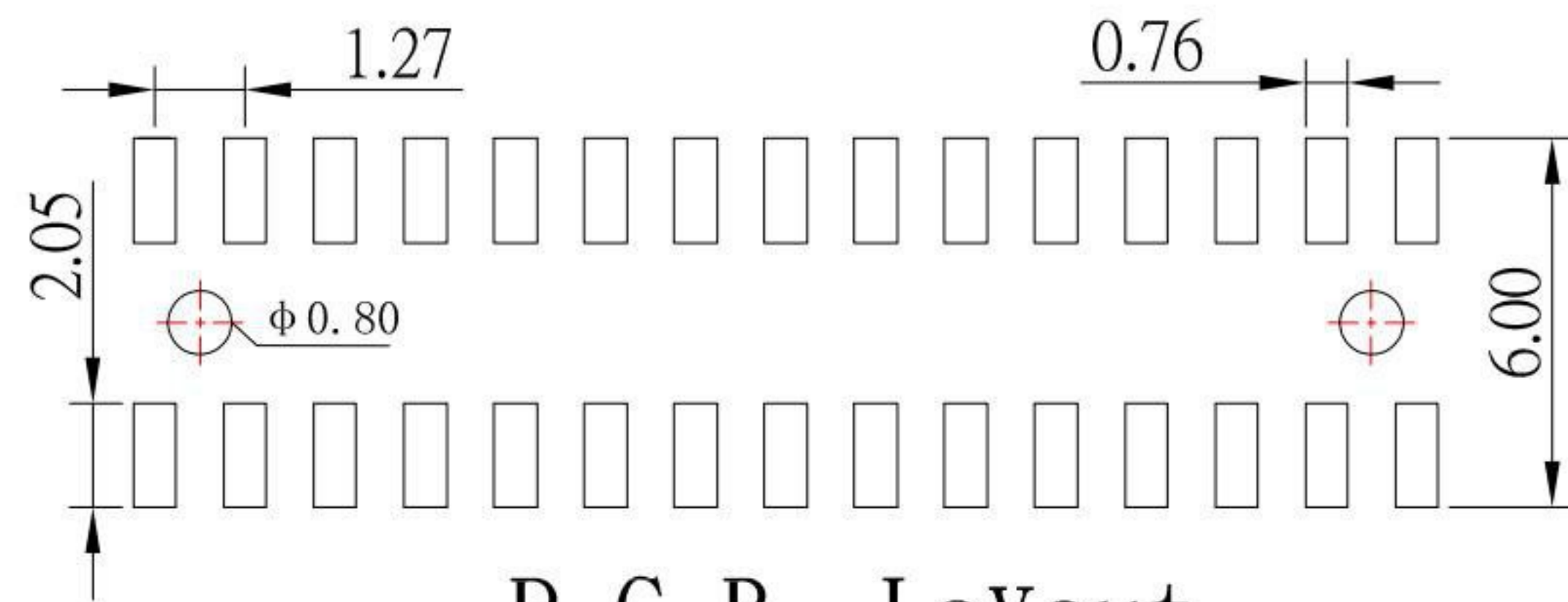
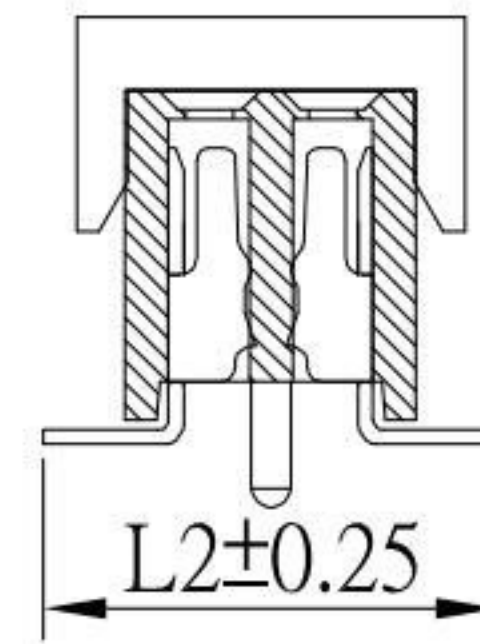
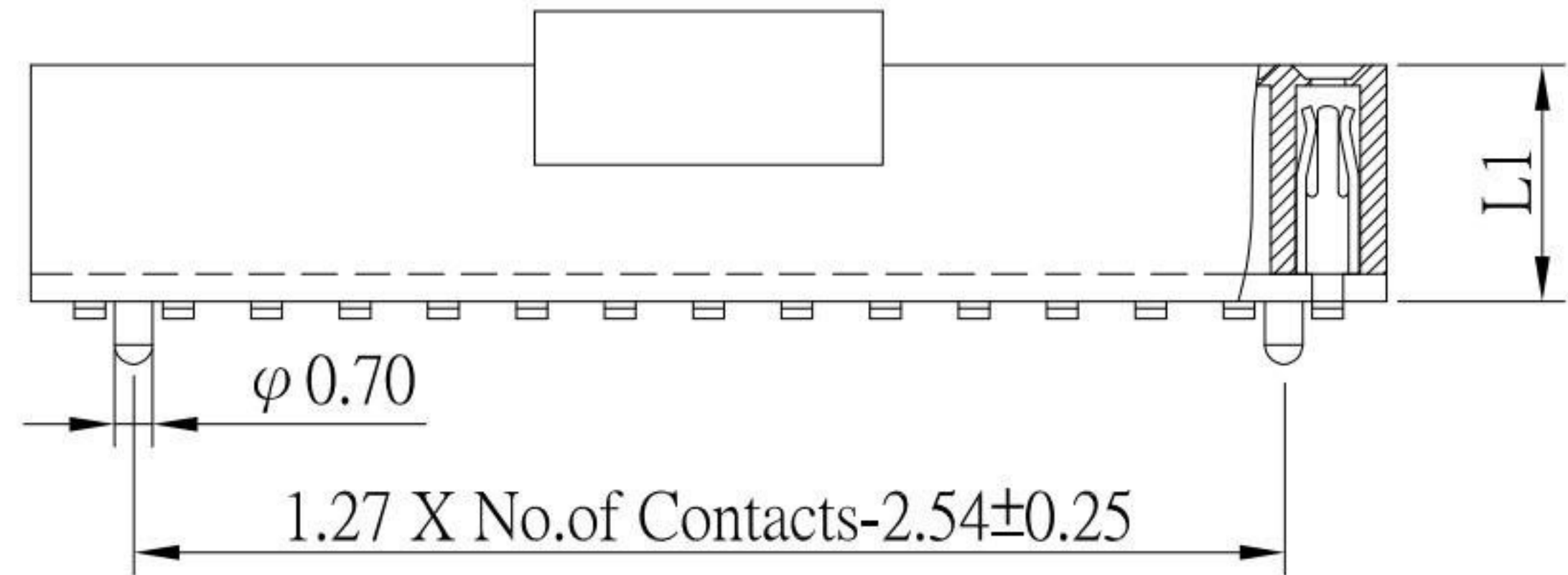
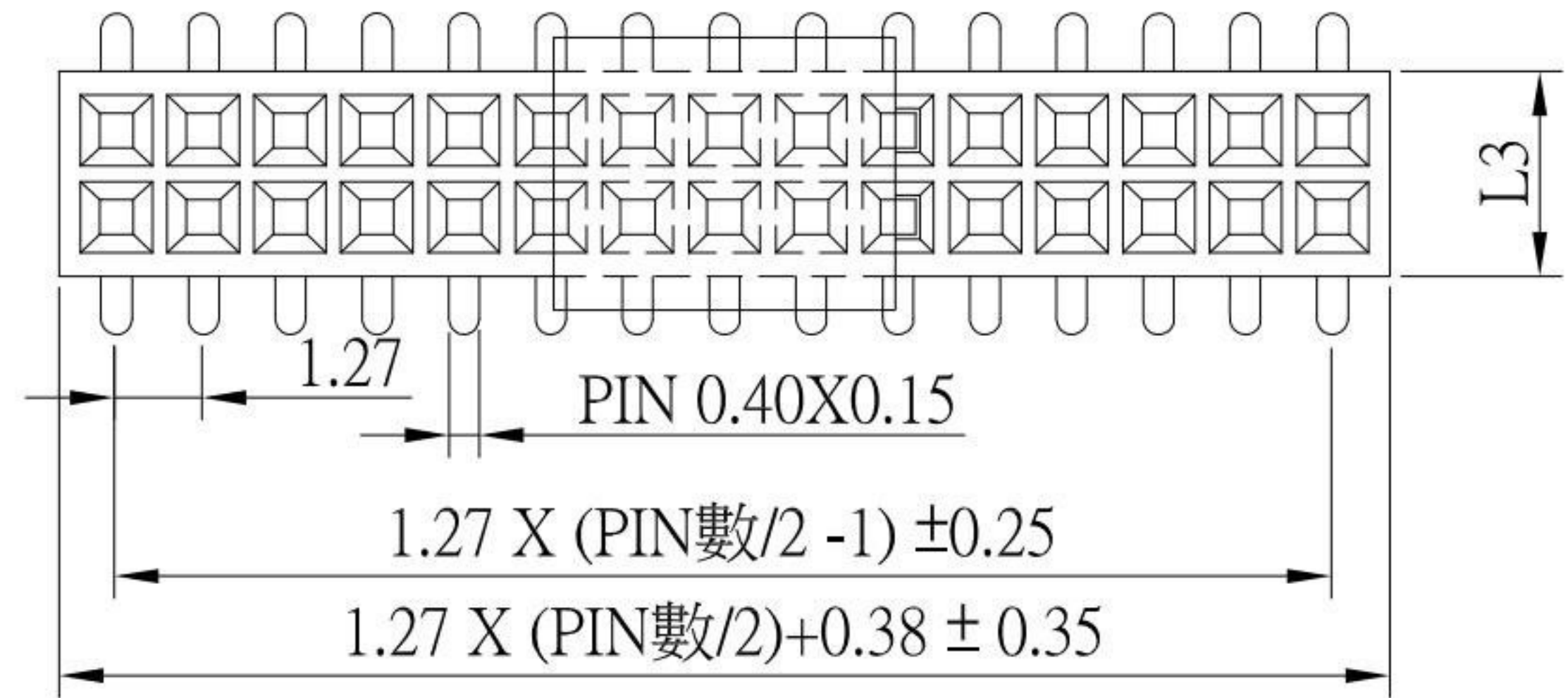




# FH-C5C1-32xxxC-S304

PIN數

	L1	L2	L3
A	4.3	4.8	3.1
B	3.4	4.8	3.0



P. C. B. LaYout

### SPECIFICATIONS:

- 1.Current Rating : 1.0 A
- 2.Insulation Resistance : 1,000MΩ Min
- 3.Contact Resistance : 20mΩ Max
- 4.Operation Temperature : -40°C to +105°C

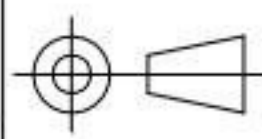
### MATERIALS:

- 1.Insulator : PA6T
- 2.Contact : Phosphor Bronze
- 3.Contact Plating : Gold over Nickel

**KSD** 科斯达电子科技有限公司  
 SWITCH CONNECTOR KSD ELECTRONIC TECHNOLOGY Co., LTD  
 全球 互联零组件制造企业

TOLERANCE UNLESS OTHERWISE STATED:  
 Up to 5 ±0.2  
 Above 5 ~ 15 ±0.3  
 Above 15 ~ 30 ±0.4  
 Above 30 ~ 50 ±0.5  
 Angle ±0.3°

3RD. ANGEL'S



UNITS MM

DRAWN BY:	DATE	MAT'L	TITLE	Female Header
Jack Lu	09/17/20			
CHECKED BY:	DATE	FINISH	MODLE	1.27 Female Header SMT 2*X PIN數加CAP
Jacky Chen	09/17/20			
APPROVED BY:	DATE	SCALE	DWG NO.	FH-C5C1-32xxxC-S304
Tony Kao	09/17/20	1 : 1		
SHEET NO.	1 of 1	PART NO.	FH-C5C1-32xxxC-S304	SIZE A4
				VER R1