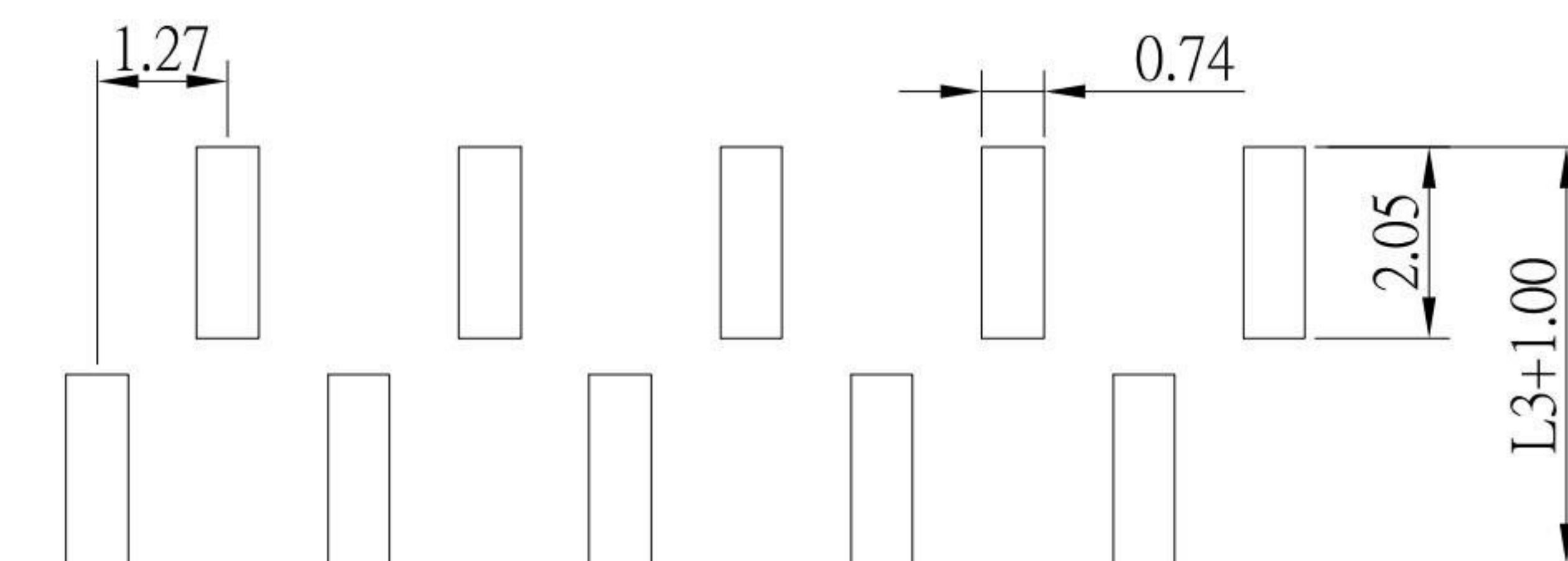
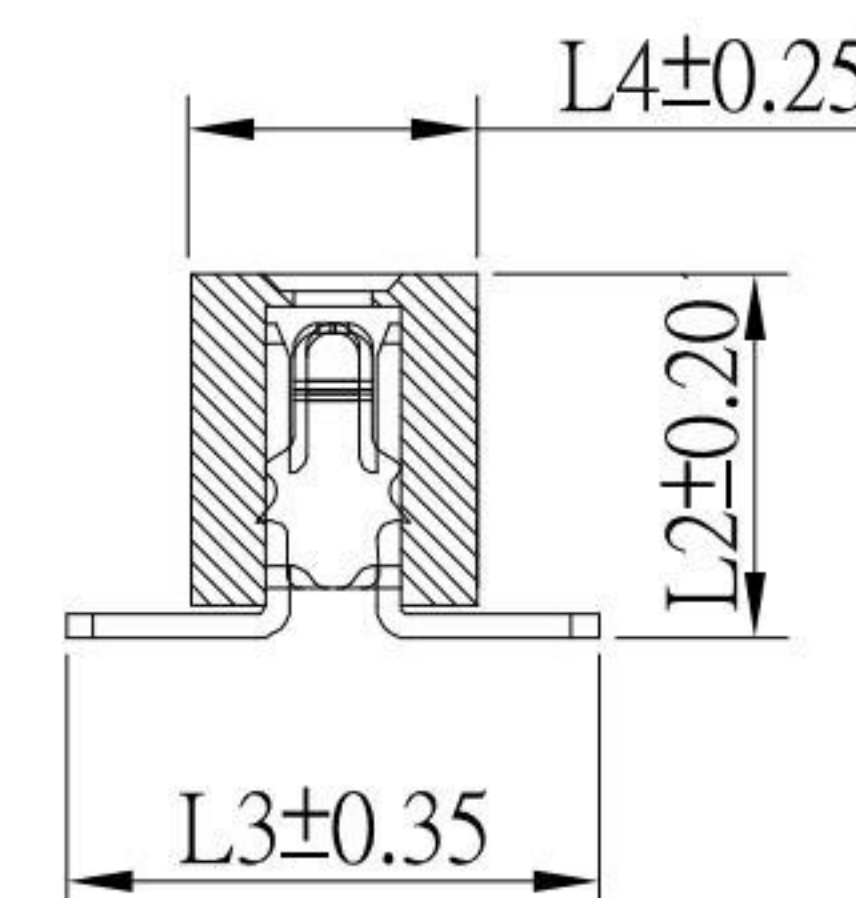
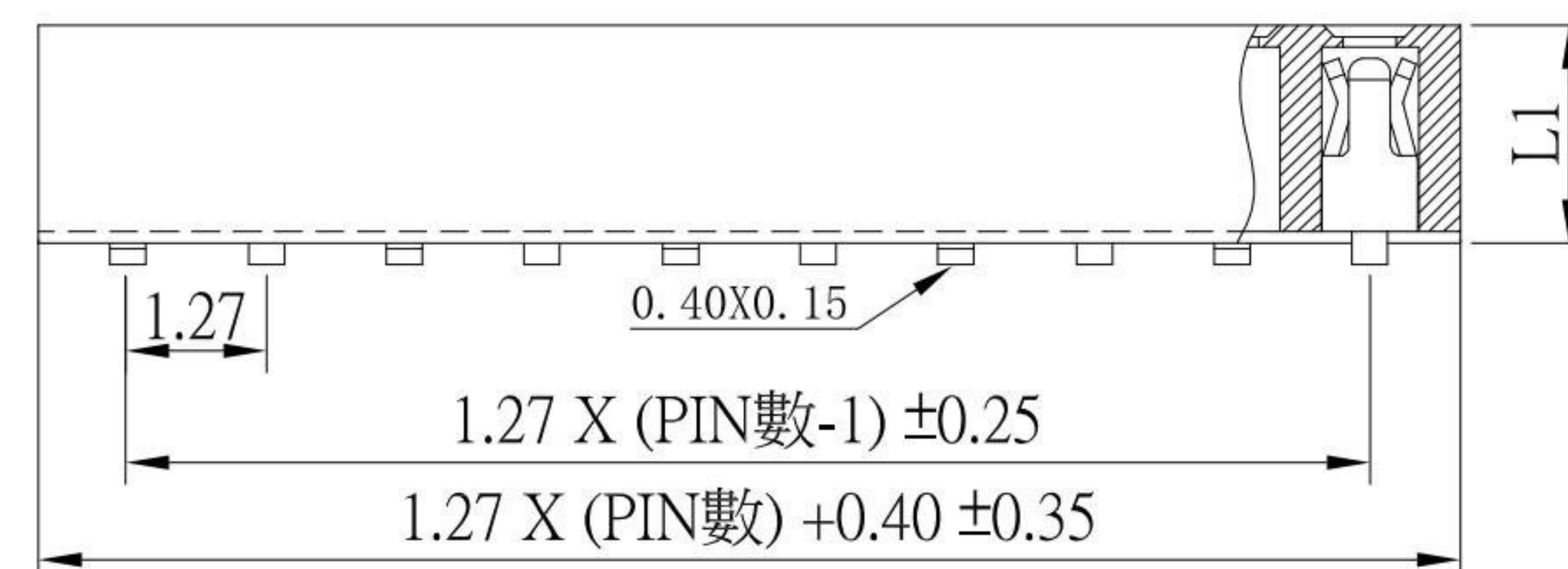
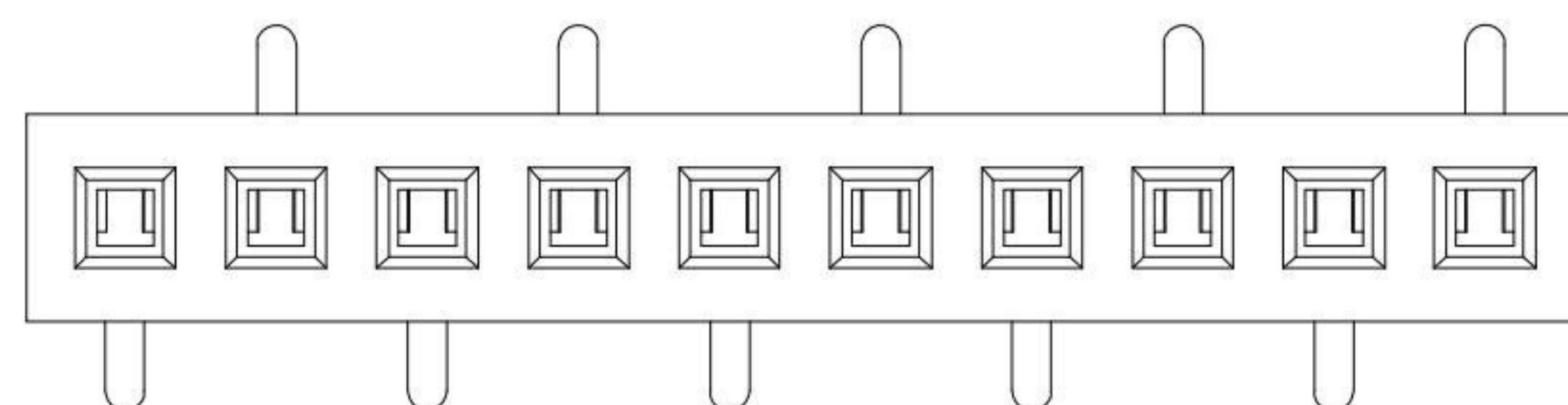




FH-C81-31xxx-S304

	L1	L2	L3	L4
A	2.10	2.35	3.25	2.00
B	4.30	4.55	3.50	1.90

PIN選項



P.C.B. Layout

SPECIFICATIONS:

- 1.Current Rating : 1.0 AMP
- 2.Insulation Resistance : 1000M Ω Min
- 3.Dielectric Withstanding : AC 500V
- 4.Contact Resistance : 20m Ω Max
- 5.Operation Temperature : -40°C to +105°C

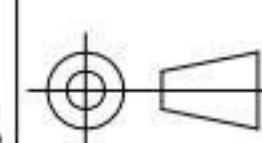
MATERIALS:

- 1.Contact Material : Phosphor Bronze
- 2.Insulator Material : PA6T
- 3.Contact Finish : Au over Nickel

KSD 科斯达电子科技有限公司
SWITCH CONNECTOR KSD ELECTRONIC TECHNOLOGY Co., LTD
全球 互聯零組件 制造企业

TOLERANCE UNLESS OTHERWISE STATED :
Up to 5 ± 0.2
Above 5 ~ 15 ± 0.3
Above 15 ~ 30 ± 0.4
Above 30 ~ 50 ± 0.5
Angle $\pm 0.3^\circ$

3RD.
ANGEL'S



UNITS

MM

DRAWN BY: DATE

Jack Lu 10/20/21

CHECKED BY: DATE

Jacky Chen 10/20/21

APPROVED BY: DATE

Tony Kao 10/20/21

MAT'L

FINISH

SCALE

SHEET NO.

TITLE

MODLE

DWG NO.

PART NO.

Female Header

1.27排母 單排 SMT 180 度 左下為第一PIN

FH-C81-31xxx-S304

FH-C81-31xxx-S304

SIZE

A4

VER

R1