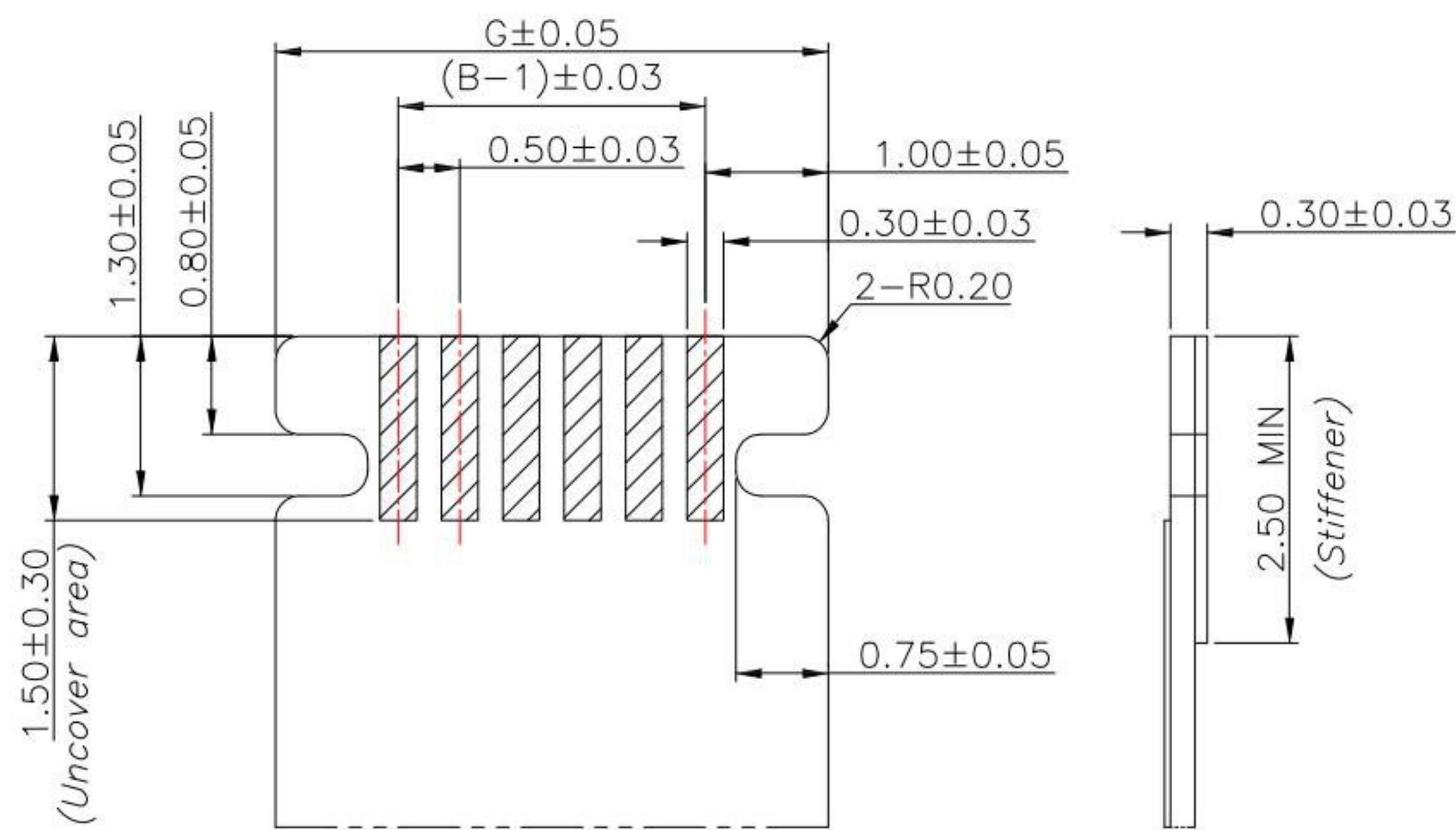
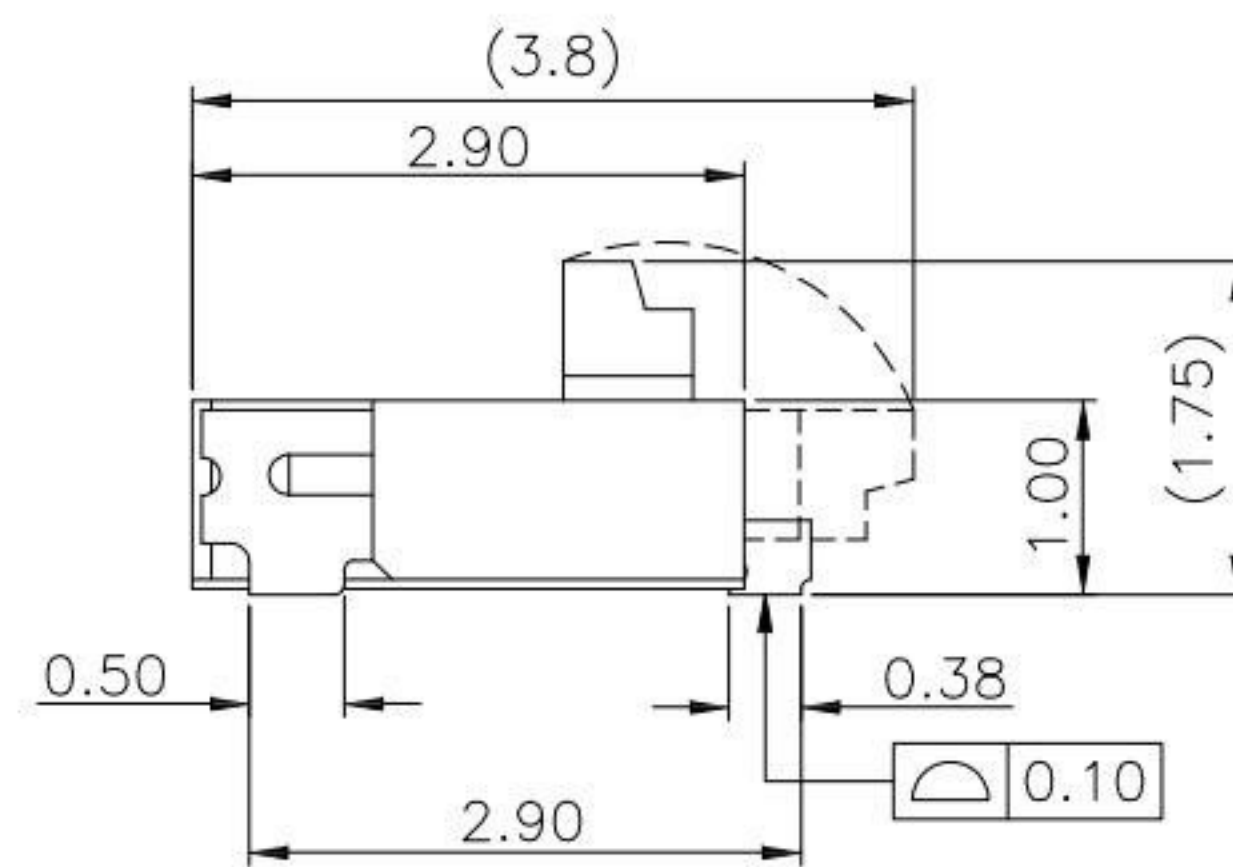
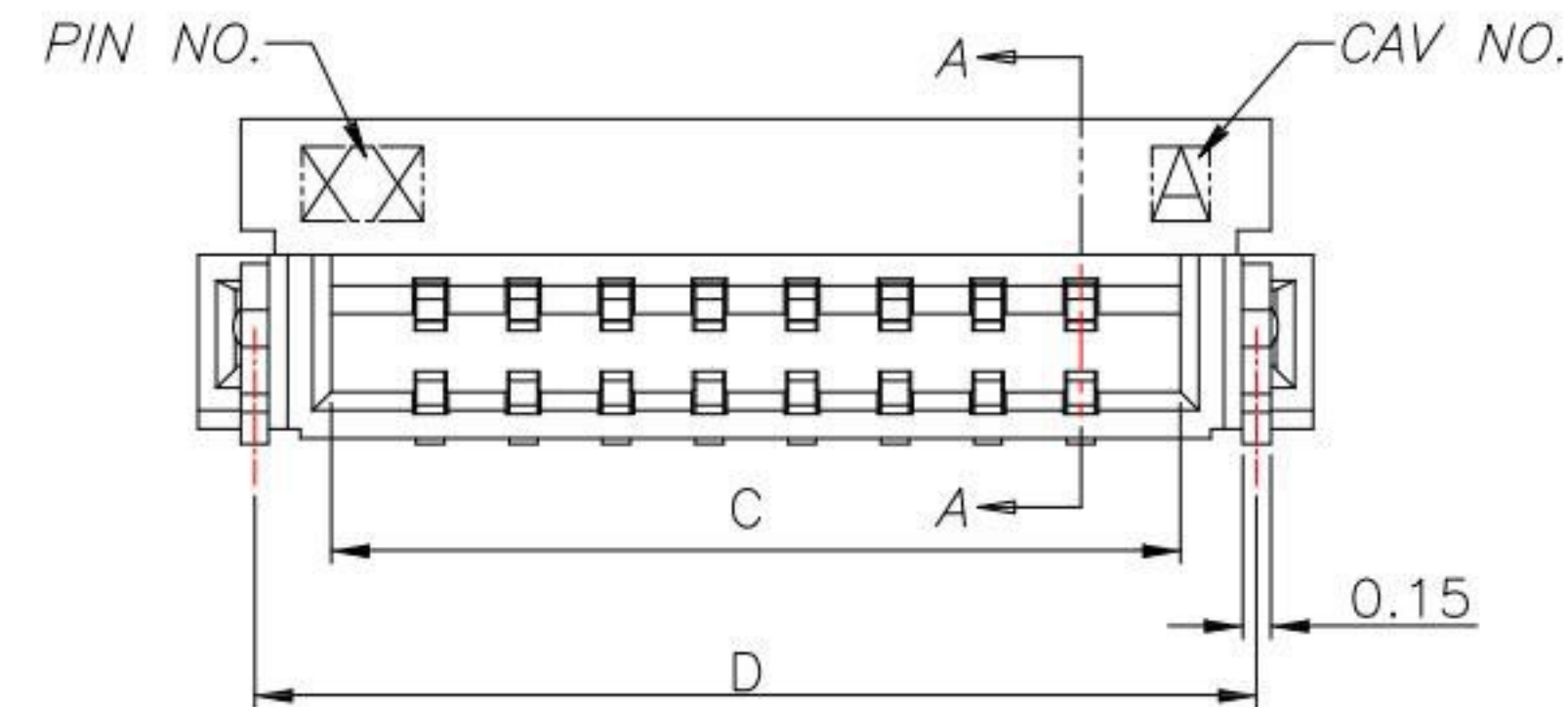


P.C.B LAYOUT MOUNTING PATTERN



Recommended FPC/FFC Dimensions

40	23.00	20.50	21.57	22.39	22.10	22.90	21.50
16	11.00	8.50	9.57	10.39	10.10	10.90	9.50
10	8.00	5.50	6.57	7.39	7.10	7.90	6.50
9	7.50	5.00	6.07	6.89	6.60	7.40	6.00
8	7.00	4.50	5.57	6.39	6.10	6.90	5.50
6	6.00	3.50	4.57	5.39	5.10	5.90	4.50
5	5.50	3.00	4.07	4.89	4.60	5.40	4.00
4	5.00	2.50	3.57	4.39	4.10	4.90	3.50
Number of Contacts	DIM A	DIM B	DIM C	DIM D	DIM E	DIM F	DIM G

NOTE:

1. MATERIAL:

- 1.1 HOUSING: LCPC, NATURAL
- 1.2 COVER: HTN, BLACK
- 1.3 CONTACT: PHOSPHOR BRONZE
- 1.4 PEG: PHOSPHOR BRONZE

2. PLATING:

- 2.1 CONTACT: GOLD PLATED ON NICKEL OVERALL
- 2.2 PEG: TIN PLATED OVER Nickel

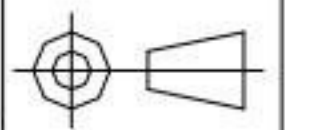
3. SPECIFICATION:

- 3.1 CURRENT RATING: 0.5A
- 3.2 VOLTAGE RATING: 50V rms AC
- 3.3 OPERATING TEMPERATURE RANGE: -55°C~+85°C
- 3.4 STORAGE TEMPERATURE RANGE: -10°C~+50°C

KSD 科斯达电子科技有限公司
 SWITCH CONNECTOR KSD ELECTRONIC TECHNOLOGY Co., LTD
 全球 互聯零組件 制造企业

TOLERANCE UNLESS OTHERWISE STATED:
 Up to 5 ±0.2
 Above 5 ~ 15 ±0.3
 Above 15 ~ 30 ±0.4
 Above 30 ~ 50 ±0.5
 Angle ±0.3

3RD. ANGEL'S



UNITS MM

DRAWN BY: Jack Lu
 CHECKED BY: Jacky Chen
 APPROVED BY: Tony Kao
 DATE: 01/12/23

MAT'L	TITLE	CONNECTOR
FINISH	MODLE	0.5mm FPC 雙接點 前插後掀 H:1.0mm
SCALE	DWG NO.	FPC05D-10xx-C3-S149
SHEET NO.	PART NO.	FPC05D-10xx-C3-S149
1 of 1		

ITEM NO.	DESCRIPTION	DRAWN	DATE