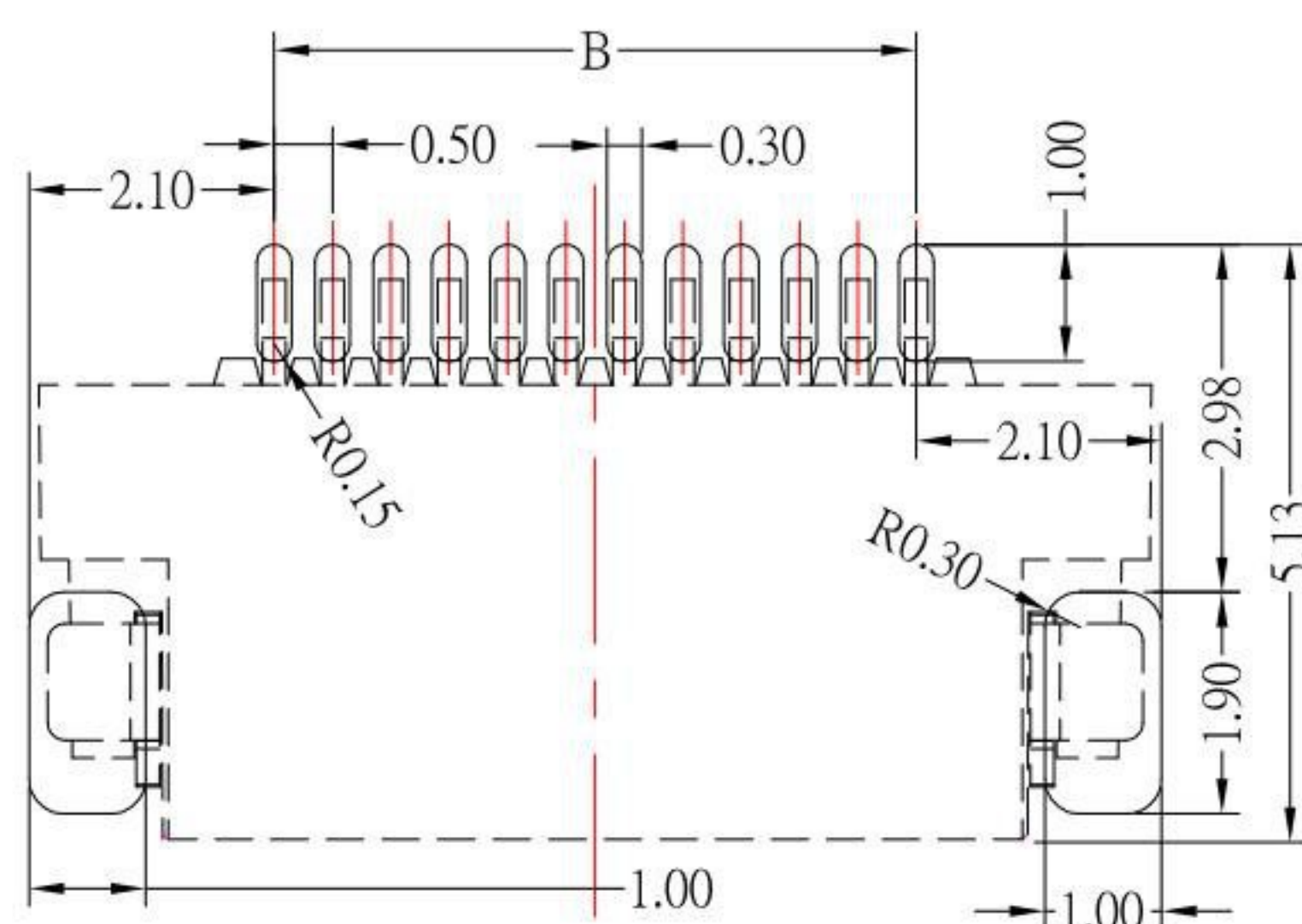
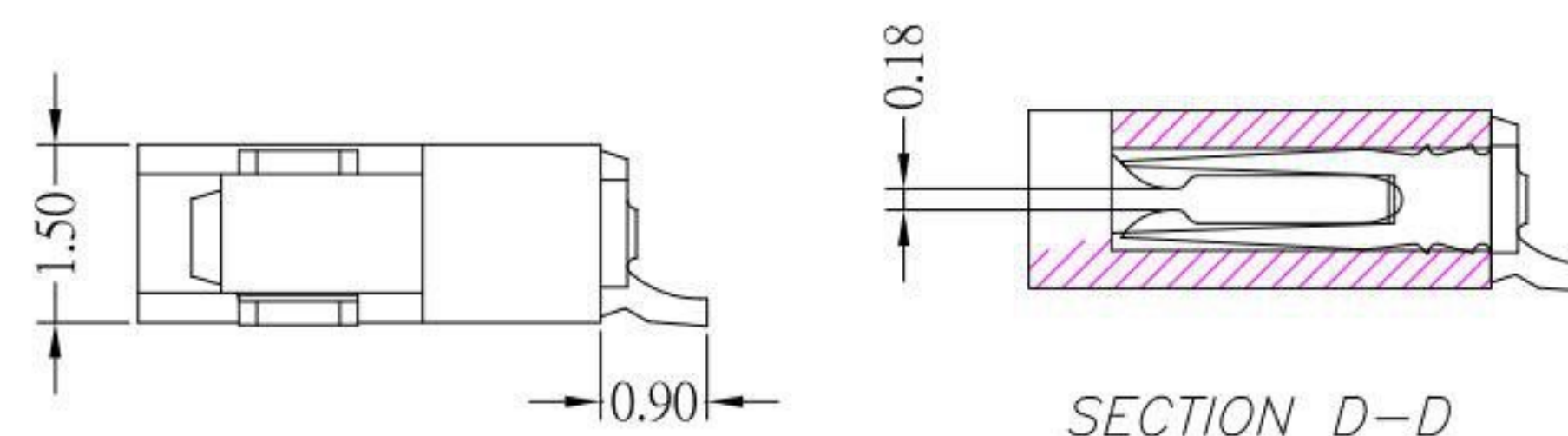
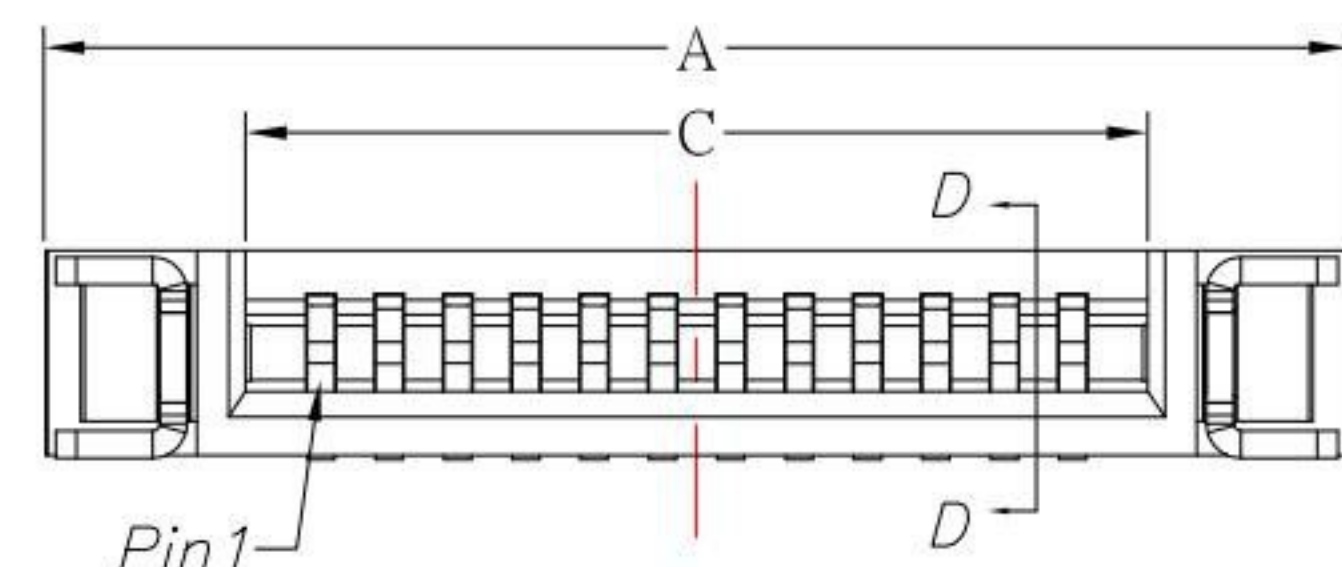
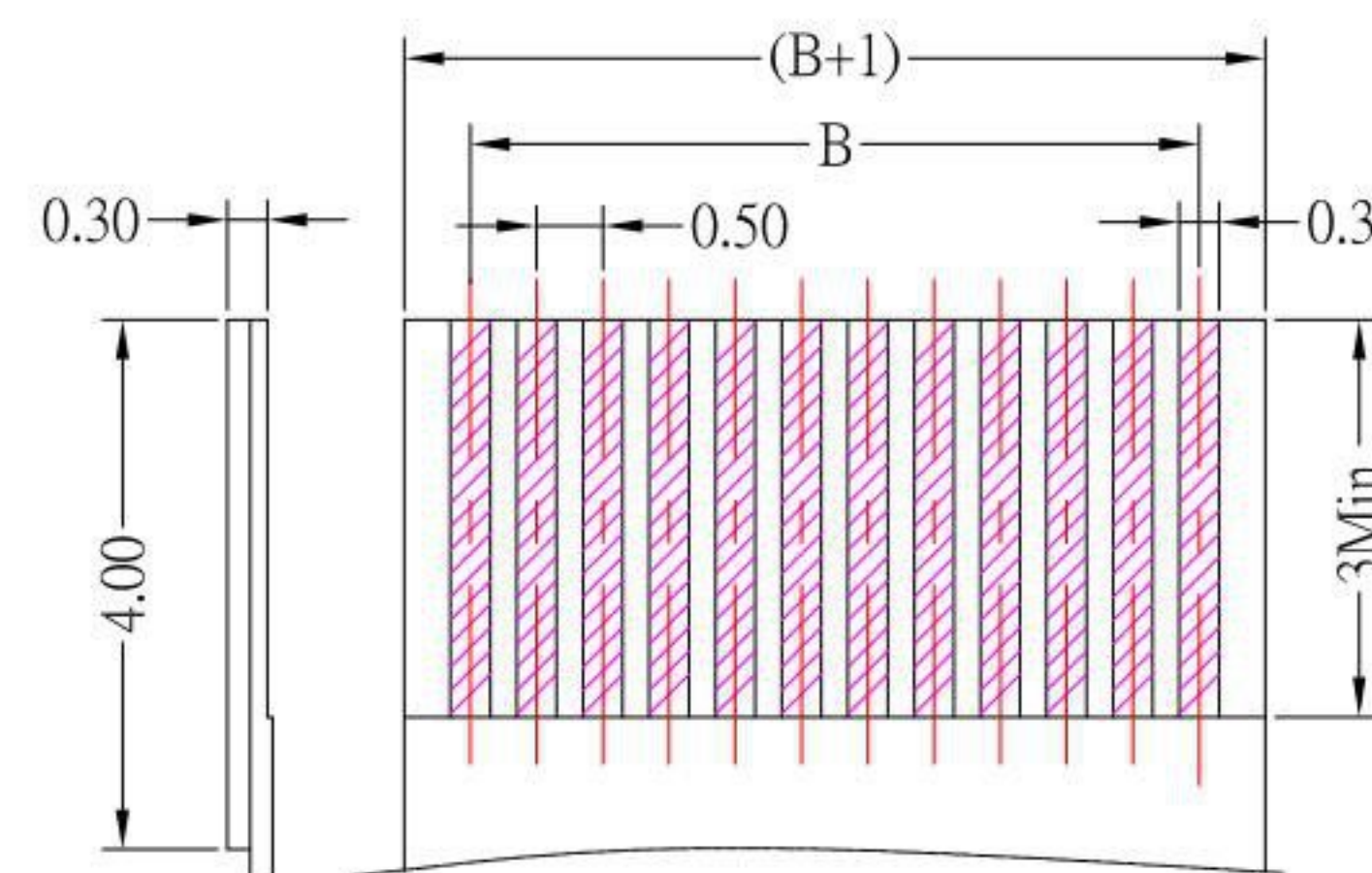


Part No.	Dimension		
	A	B	C
4P	5.53	1.5	2.57
5P	6.03	2.0	3.07
6P	6.53	2.5	3.57
7P	7.03	3.0	4.07
8P	7.53	3.5	4.57
9P	8.03	4.0	5.07
10P	8.53	4.5	5.57
11P	9.03	5.0	6.07
12P	9.53	5.5	6.57
13P	10.03	6.0	7.07
14P	10.53	6.5	7.57
15P	11.03	7.0	8.07
16P	11.53	7.5	8.57
17P	12.03	8.0	9.07
18P	12.53	8.5	9.57
19P	13.03	9.0	10.07
20P	13.53	9.5	10.57
21P	14.03	10.0	11.07
22P	14.53	10.5	11.57
23P	15.03	11.0	12.07
24P	15.53	11.5	12.57
25P	16.03	12.0	13.07
26P	16.53	12.5	13.57
27P	17.03	13.0	14.07
28P	17.53	13.5	14.57
29P	18.03	14.0	15.07
30P	18.53	14.5	15.57
31P	19.03	15.0	16.07
32P	19.53	15.5	16.57
33P	20.03	16.0	17.07
34P	20.53	16.5	17.57



RECOMMENDED PCB LAYOUT



APPLICABLE FPC

Note:

1. Material

1.1 Housing: LCP, UL94-V0

1.2 Contact: Brass

1.3 Solder Pad: Brass

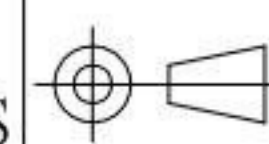
2. Plating

2.1 Contact: Matte Tin Plating Over Nickel.

KSD 科斯达电子科技有限公司
 SWITCH CONNECTOR KSD ELECTRONIC TECHNOLOGY Co., LTD
 全球 互聯零組件 制造企业

TOLERANCE UNLESS OTHERWISE STATED:
 Up to 5 ±0.2
 Above 5 ~ 15 ±0.3
 Above 15 ~ 30 ±0.4
 Above 30 ~ 50 ±0.5
 Angle ±0.3°

3RD. ANGEL'S



UNITS MM

DRAWN BY: Jack Lu
 DATE: 12/09/19
 CHECKED BY: Jacky Chen
 DATE: 12/09/19
 APPROVED BY: Tony Kao
 DATE: 12/09/19

MAT'L		TITLE	CONNECTOR
FINISH		MODLE	0.5mm FPC 雙接 H:1.5mm
SCALE	1 : 1	DWG NO.	FPC05D-15xx-N-S304
SHEET NO.	1 of 1	PART NO.	FPC05D-15xx-N-S304

SIZE A4
 VER R1

1	更新PIN選項	Jack	120919
ITEM NO.	DESCRIPTION	DRAWN	DATE