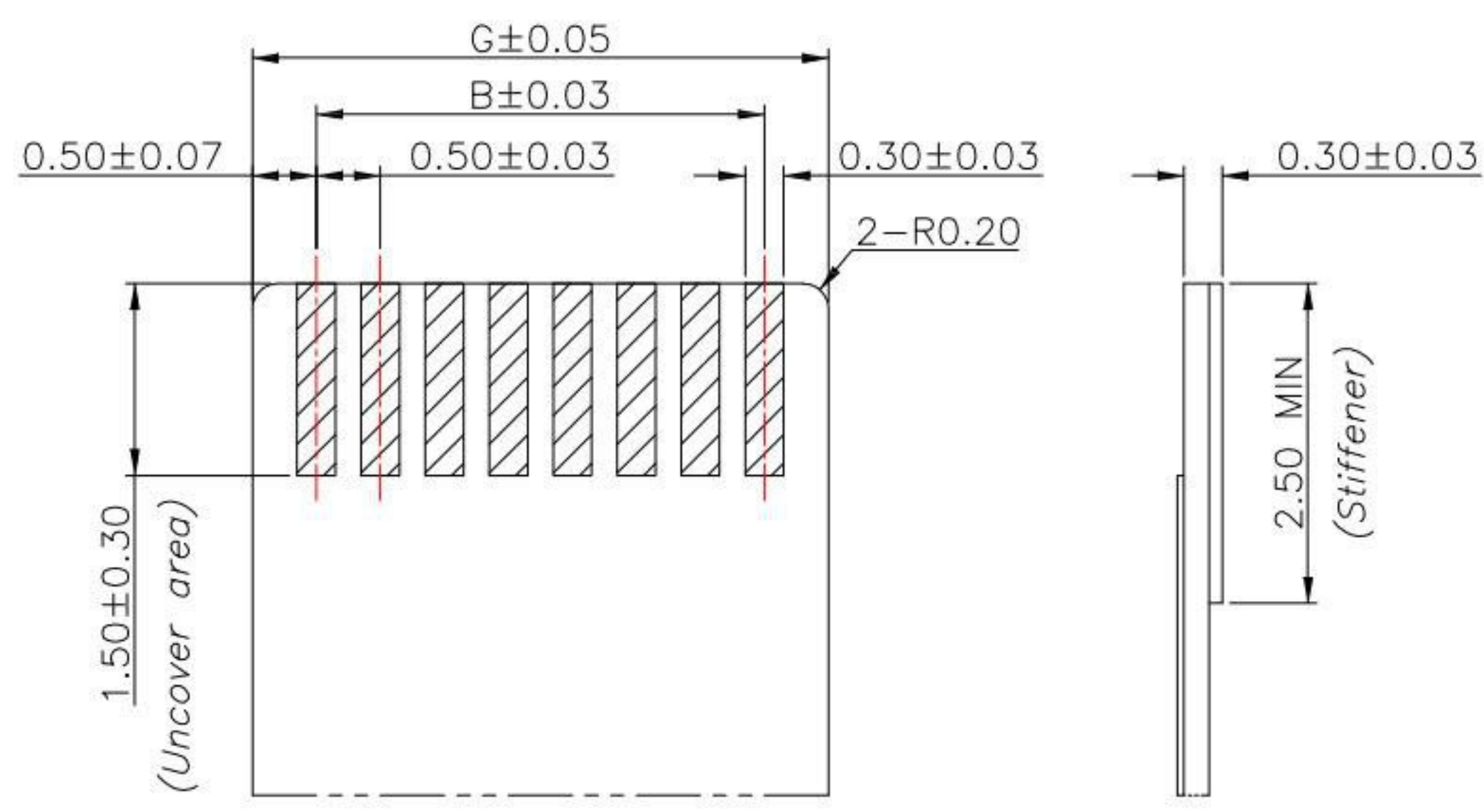
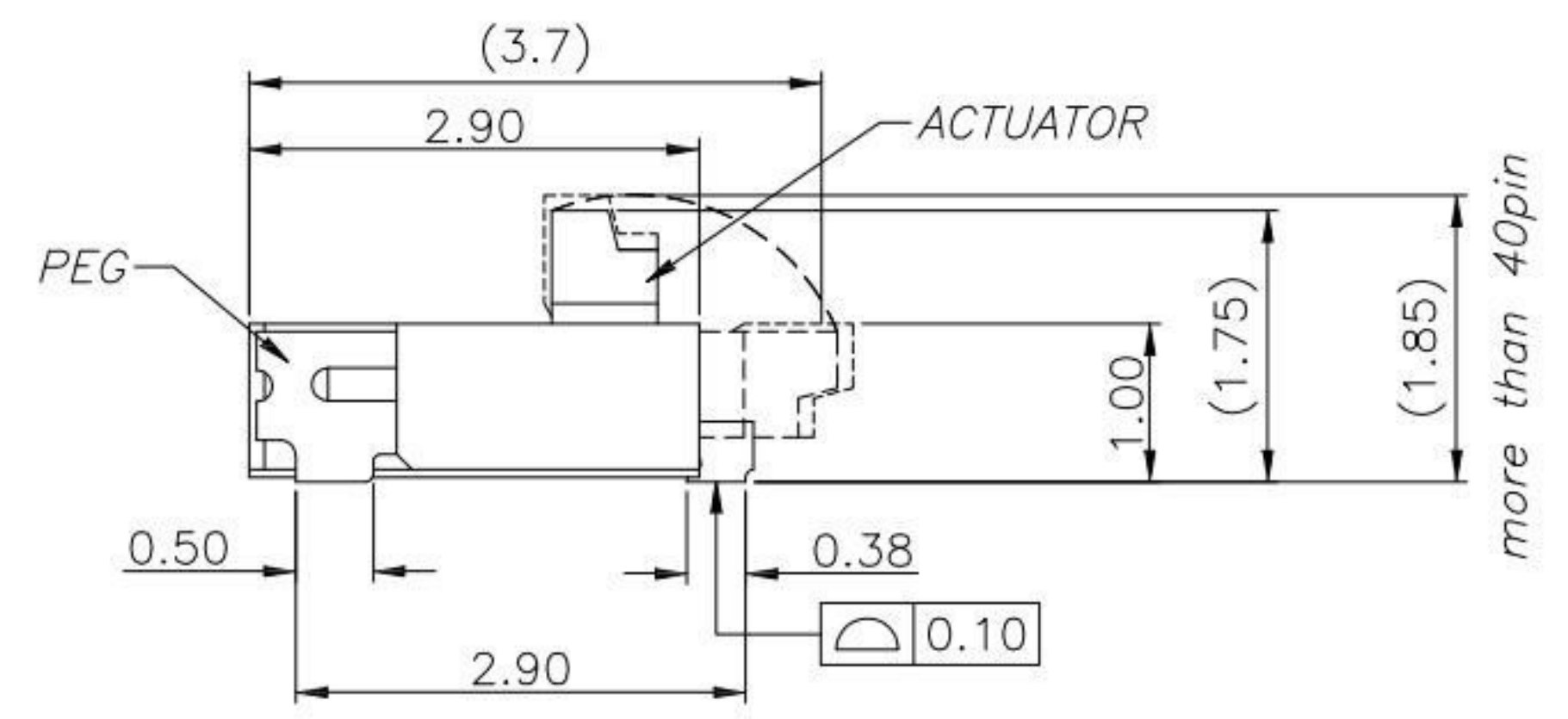
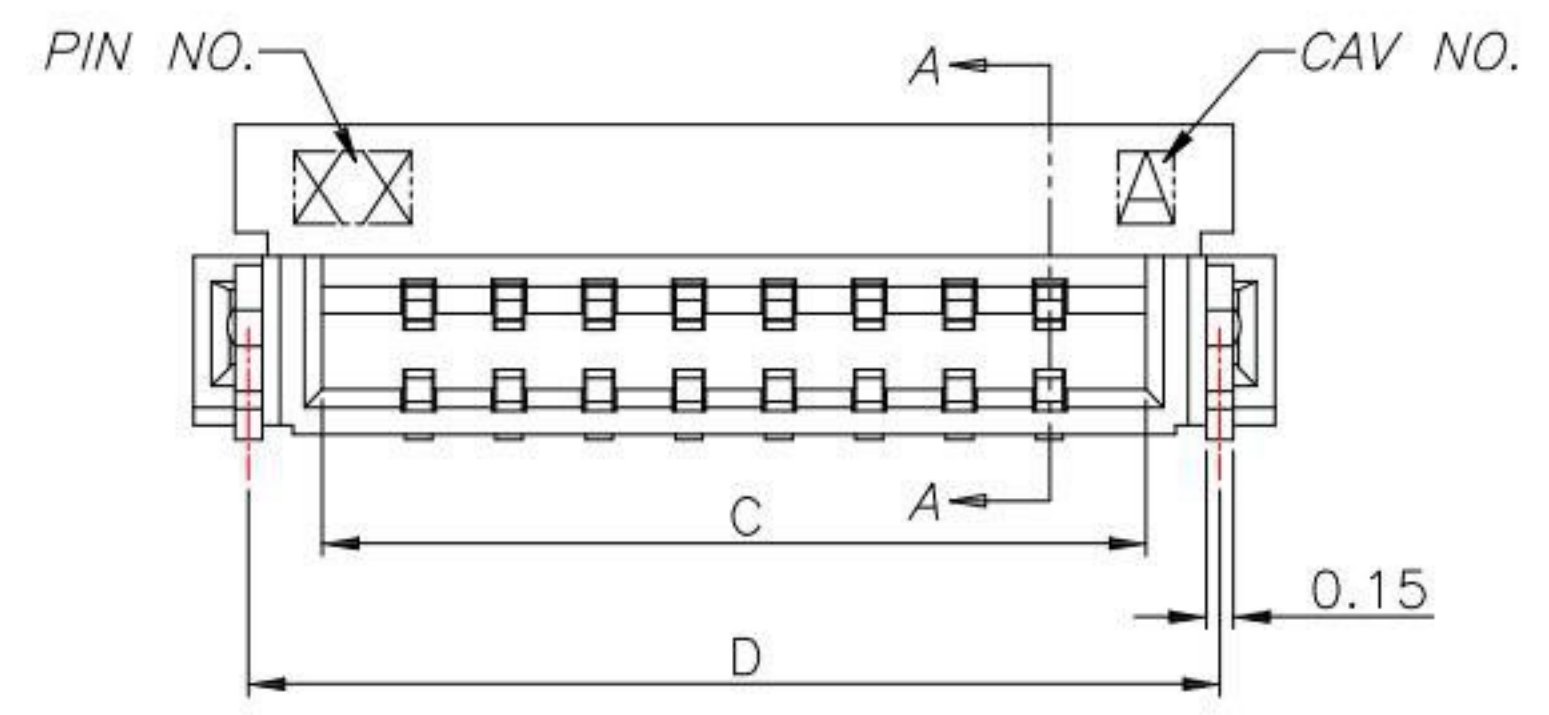


RECOMMENDED PCB LAYOUT



RECOMMENDED FPC/FFC DIMENSIONS

50	27.00	24.50	25.57	26.39	26.10	26.90	25.50
45	24.50	22.00	23.07	23.89	23.60	24.40	23.00
42	23.00	20.50	21.57	22.39	22.10	22.90	21.50
40	22.00	19.50	20.57	21.39	21.10	21.90	20.50
36	20.00	17.50	18.57	19.39	19.10	19.90	18.50
34	19.00	16.50	17.57	18.39	18.10	18.90	17.50
32	18.00	15.50	16.57	17.39	17.10	17.90	16.50
30	17.00	14.50	15.57	16.39	16.10	16.90	15.50
28	16.00	13.50	14.57	15.39	15.10	15.90	14.50
26	15.00	12.50	13.57	14.39	14.10	14.90	13.50
24	14.00	11.50	12.57	13.39	13.10	13.90	12.50
23	13.50	11.00	12.07	12.89	12.60	13.40	12.00
22	13.00	10.50	11.57	12.39	12.10	12.90	11.50
20	12.00	9.50	10.57	11.39	11.10	11.90	10.50
18	11.00	8.50	9.57	10.39	10.10	10.90	9.50
17	10.50	8.00	9.07	9.89	9.60	10.40	9.00
16	10.00	7.50	8.57	9.39	9.10	9.90	8.50
15	9.50	7.00	8.07	8.89	8.60	9.40	8.00
14	9.00	6.50	7.57	8.39	8.10	8.90	7.50
13	8.50	6.00	7.07	7.89	7.60	8.40	7.00
12	8.00	5.50	6.57	7.39	7.10	7.90	6.50
11	7.50	5.00	6.07	6.89	6.60	7.40	6.00
10	7.00	4.50	5.57	6.39	6.10	6.90	5.50
9	6.50	4.00	5.07	5.89	5.60	6.40	5.00
8	6.00	3.50	4.57	5.39	5.10	5.90	4.50
7	5.50	3.00	4.07	4.89	4.60	5.40	4.00
6	5.00	2.50	3.57	4.39	4.10	4.90	3.50
5	4.50	2.00	3.07	3.89	3.60	4.40	3.00
4	4.00	1.50	2.57	3.39	3.10	3.90	2.50
Number of Contacts	DIM A	DIM B	DIM C	DIM D	DIM E	DIM F	DIM G

SPECIFICATIONS

Electrical Characteristics:

- 1.1 Current rating: 0.5A
- 1.2 Voltage rating: 50V AC
- 1.3 Operating Temperature range: -55°C ~ +85°C
- 1.4 Storage Temperature range: -10°C ~ +50°C

Material:

- 1.1 Housing: LCP, Color: Natural
- 1.2 Contact: Phosphor Bronze
- 1.3 Peg : Phosphor Bronze
- 1.4 Actuator: HTN, Color: Black

Finish:

- 1.1 Contact: Plated Gold in Mating Area ;  
Gold Plated on Solder Balls  
Nickel under plated overall
- 1.2 Peg: Tin Plated over Nickel

4	新增9pin選項	Jack	041223
3	更新圖面	Jack	072722
2	更新材質	Jack	122221
1	更新PIN選項	Jack	090220
ITEM NO.	DESCRIPTION	DRAWN	DATE

**KSD** 科斯达电子科技有限公司  
 SWITCH CONNECTOR 全球互聯零組件製造企業  
 KSD ELECTRONIC TECHNOLOGY Co., LTD

TOLERANCE UNLESS OTHERWISE STATED:  
 Up to 5 ±0.2  
 Above 5 ~ 15 ±0.3  
 Above 15 ~ 30 ±0.4  
 Above 30 ~ 50 ±0.5  
 Angle ±0.3

3RD. ANGEL'S

UNITS MM

DRAWN BY:	DATE	MAT'L	TITLE	CONNECTOR
Jack Lu	04/12/23		MODLE	0.5mm H:1.0 FPC 後掀式 Cable T:0.3mm
CHECKED BY:	DATE	FINISH	SCALE	1:1
Jacky Chen	04/12/23		DWG NO.	FPC05L-10xx-C3-S149
APPROVED BY:	DATE	SHEET NO.	PART NO.	FPC05L-10xx-C3-S149
Tony Kao	04/12/23	1 of 1		