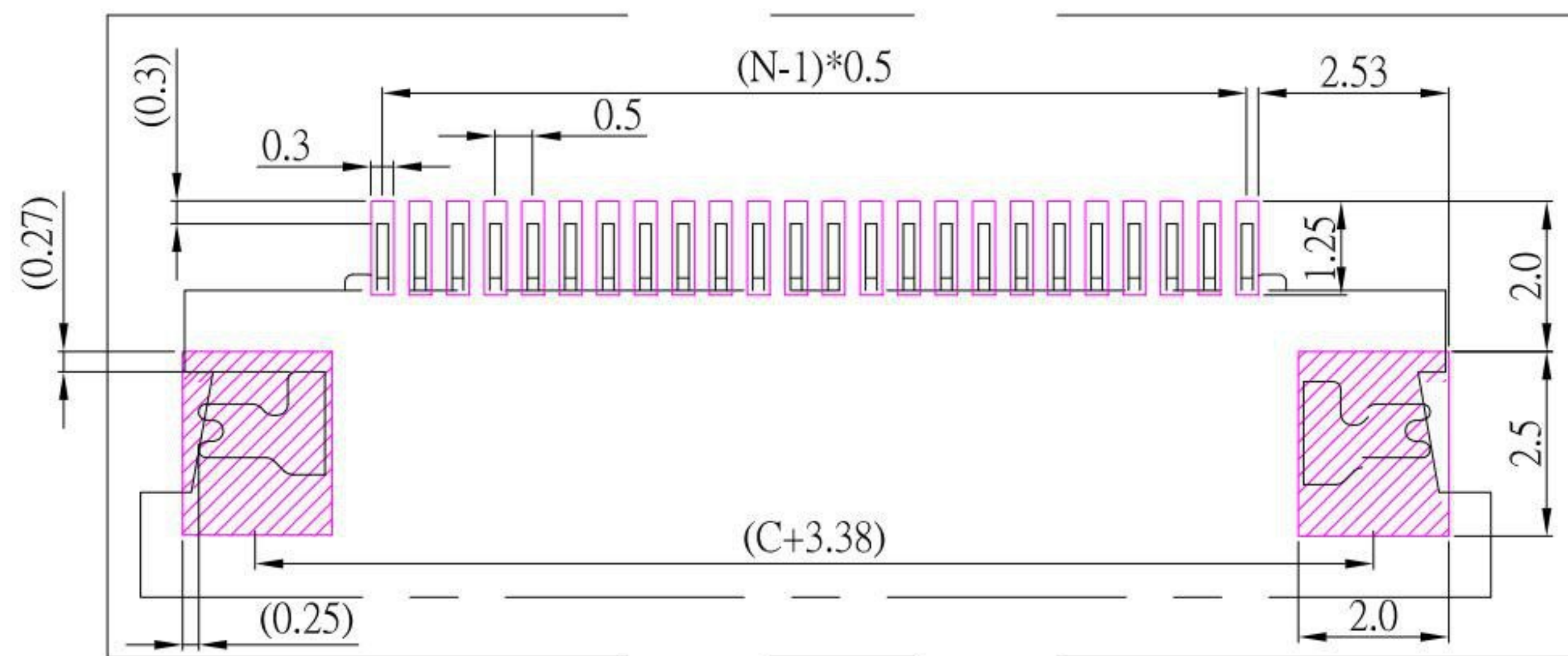
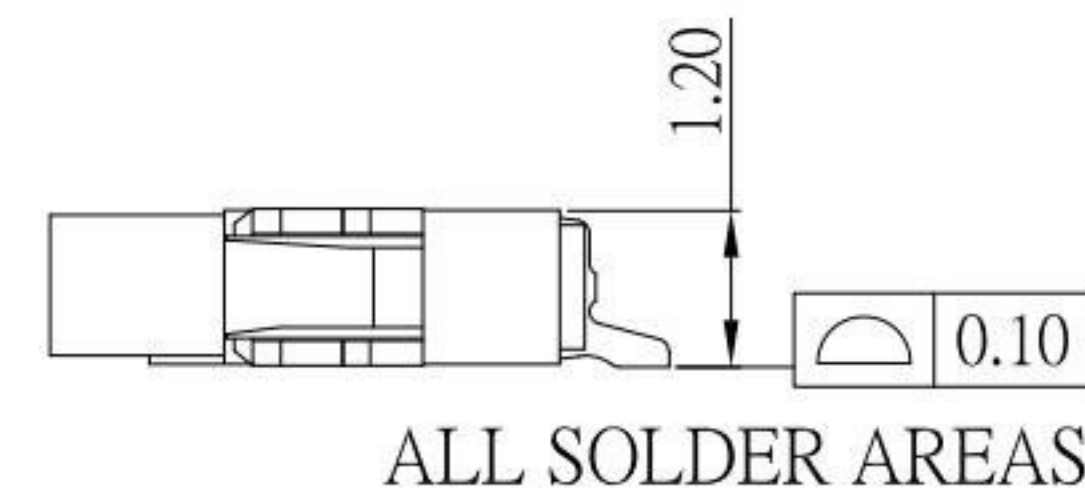
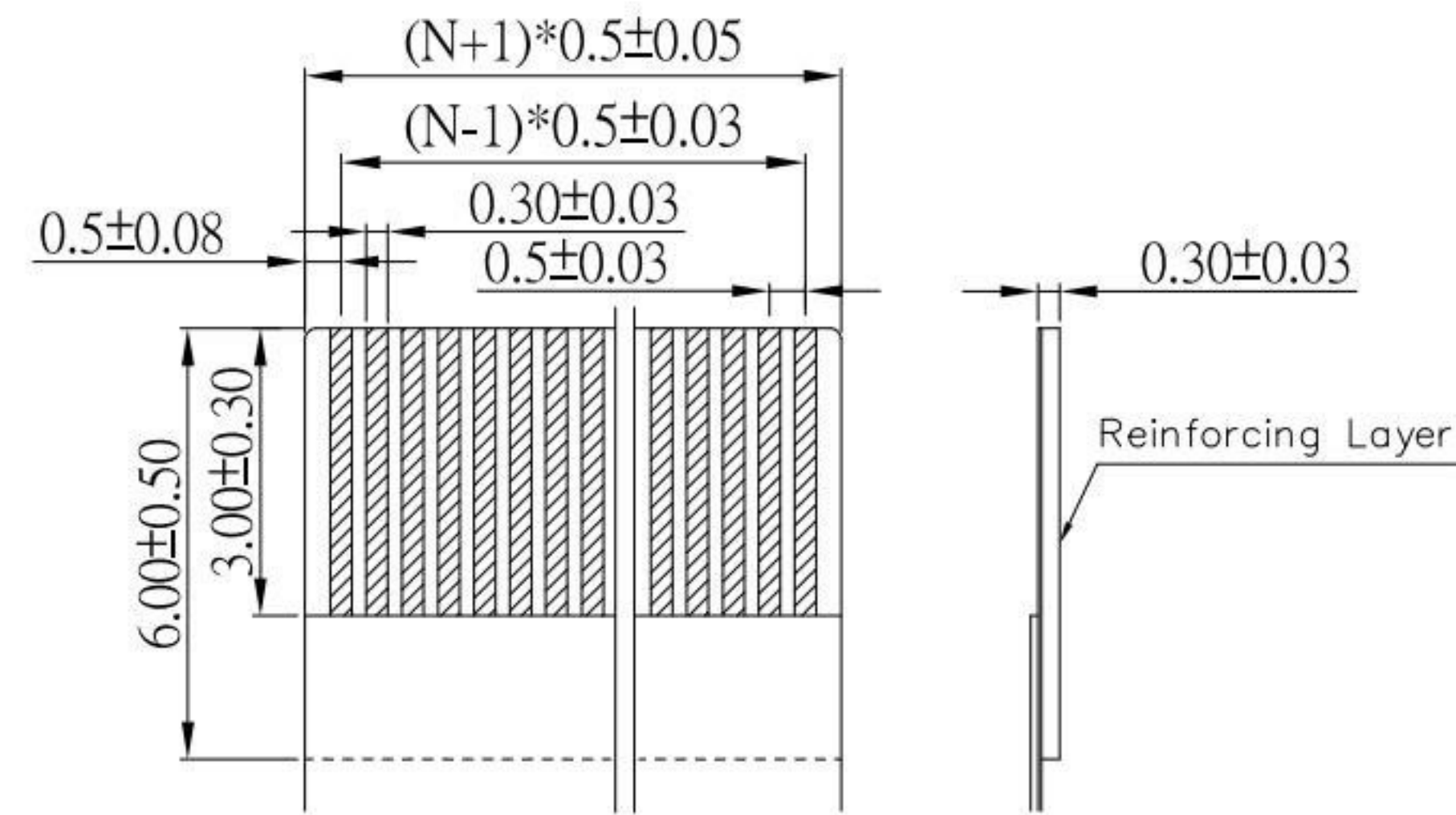


MATERIAL:

- 1.HOUSING: LCP , NATURE
- 2.ACTUATOR: LCP , BLACK
- 3.TERMINAL: PHOSPHOR BRONZE , TIN OVER NICKEL
- 4.STOPPER: BRASS , TIN OVER NICKEL



PCB LAYOUT



APPLICABLE FPC/FFC

| PIN | DIM, A | DIM, B | DIM, C | DIM, D |
|-----|--------|--------|--------|--------|
| 04 | 8.00 | 6.80 | 1.50 | 2.58 |
| 05 | 8.50 | 7.30 | 2.00 | 3.08 |
| 06 | 9.00 | 7.80 | 2.50 | 3.58 |
| 07 | 9.50 | 8.30 | 3.00 | 4.08 |
| 08 | 10.00 | 8.80 | 3.50 | 4.58 |
| 09 | 10.50 | 9.30 | 4.00 | 5.08 |
| 10 | 11.00 | 9.80 | 4.50 | 5.58 |
| 11 | 11.50 | 10.30 | 5.00 | 6.08 |
| 12 | 12.00 | 10.80 | 5.50 | 6.58 |
| 13 | 12.50 | 11.30 | 6.00 | 7.08 |
| 14 | 13.00 | 11.80 | 6.50 | 7.58 |
| 15 | 13.50 | 12.30 | 7.00 | 8.08 |
| 16 | 14.00 | 12.80 | 7.50 | 8.58 |
| 17 | 14.50 | 13.30 | 8.00 | 9.08 |
| 18 | 15.00 | 13.80 | 8.50 | 9.58 |
| 19 | 15.50 | 14.30 | 9.00 | 10.08 |
| 20 | 16.00 | 14.80 | 9.50 | 10.58 |
| 21 | 16.50 | 15.30 | 10.00 | 11.08 |
| 22 | 17.00 | 15.80 | 10.50 | 11.58 |
| 23 | 17.50 | 16.30 | 11.00 | 12.08 |
| 24 | 18.00 | 16.80 | 11.50 | 12.58 |
| 25 | 18.50 | 17.30 | 12.00 | 13.08 |
| 26 | 19.00 | 17.80 | 12.50 | 13.58 |
| 27 | 19.50 | 18.30 | 13.00 | 14.08 |
| 28 | 20.00 | 18.80 | 13.50 | 14.58 |
| 29 | 20.50 | 19.30 | 14.00 | 15.08 |
| 30 | 21.00 | 19.80 | 14.50 | 15.58 |
| 31 | 21.50 | 20.30 | 15.00 | 16.08 |
| 32 | 22.00 | 20.80 | 15.50 | 16.58 |
| 33 | 22.50 | 21.30 | 16.00 | 17.08 |
| 34 | 23.00 | 21.80 | 16.50 | 17.58 |
| 35 | 23.50 | 22.30 | 17.00 | 18.08 |
| 36 | 24.00 | 22.80 | 17.50 | 18.58 |
| 37 | 24.50 | 23.30 | 18.00 | 19.08 |
| 38 | 25.00 | 23.80 | 18.50 | 19.58 |
| 39 | 25.50 | 24.30 | 19.00 | 20.08 |
| 40 | 26.00 | 24.80 | 19.50 | 20.58 |
| 41 | 26.50 | 25.30 | 20.00 | 21.08 |
| 45 | 28.50 | 27.30 | 22.00 | 23.08 |
| 50 | 31.00 | 29.80 | 24.50 | 25.58 |
| 53 | 32.50 | 31.30 | 26.00 | 27.08 |
| 54 | 33.00 | 31.80 | 26.50 | 27.58 |
| 60 | 36.00 | 34.80 | 29.50 | 30.58 |

| ITEM NO. | DESCRIPTION | DRAWN | DATE |
|----------|-------------|-------|--------|
| 4 | 更新圖面 | Jack | 121619 |
| 3 | 更新PIN選項 | Jack | 032918 |
| 2 | 更新為A0版 | Jack | 112216 |
| 1 | 更新圖面 | Jack | 110716 |

KSD 科斯达电子科技有限公司
 SWITCH CONNECTOR KSD ELECTRONIC TECHNOLOGY Co., LTD
 全球 互聯零組件 制造企业

TOLERANCE UNLESS OTHERWISE STATED:
 Up to 5 ±0.2
 Above 5 ~ 15 ±0.3
 Above 15 ~ 30 ±0.4
 Above 30 ~ 50 ±0.5
 Angle ±0.3

3RD. ANGEL'S

UNITS MM

| | | | | |
|--------------|----------|-----------|----------|-------------------------|
| DRAWN BY: | DATE | MAT'L | TITLE | CONNECTOR |
| Jack Lu | 12/16/19 | | MODLE | FPC 0.5mm 抽屜式下接 H:1.2mm |
| CHECKED BY: | DATE | FINISH | DWG NO. | FPC05L-12xx-A-S304 |
| Jacky Chen | 12/16/19 | | PART NO. | FPC05L-12xx-A-S304 |
| APPROVED BY: | DATE | SCALE | 1:1 | |
| Tony Kao | 12/16/19 | SHEET NO. | 1 of 1 | |

| | |
|------|----|
| SIZE | A4 |
| VER | R4 |