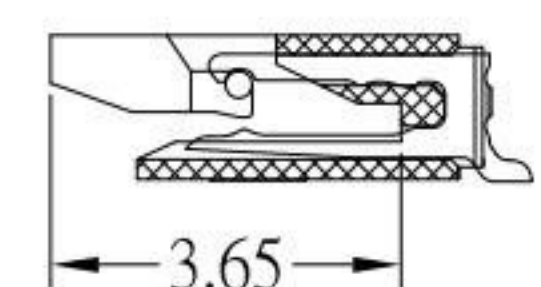
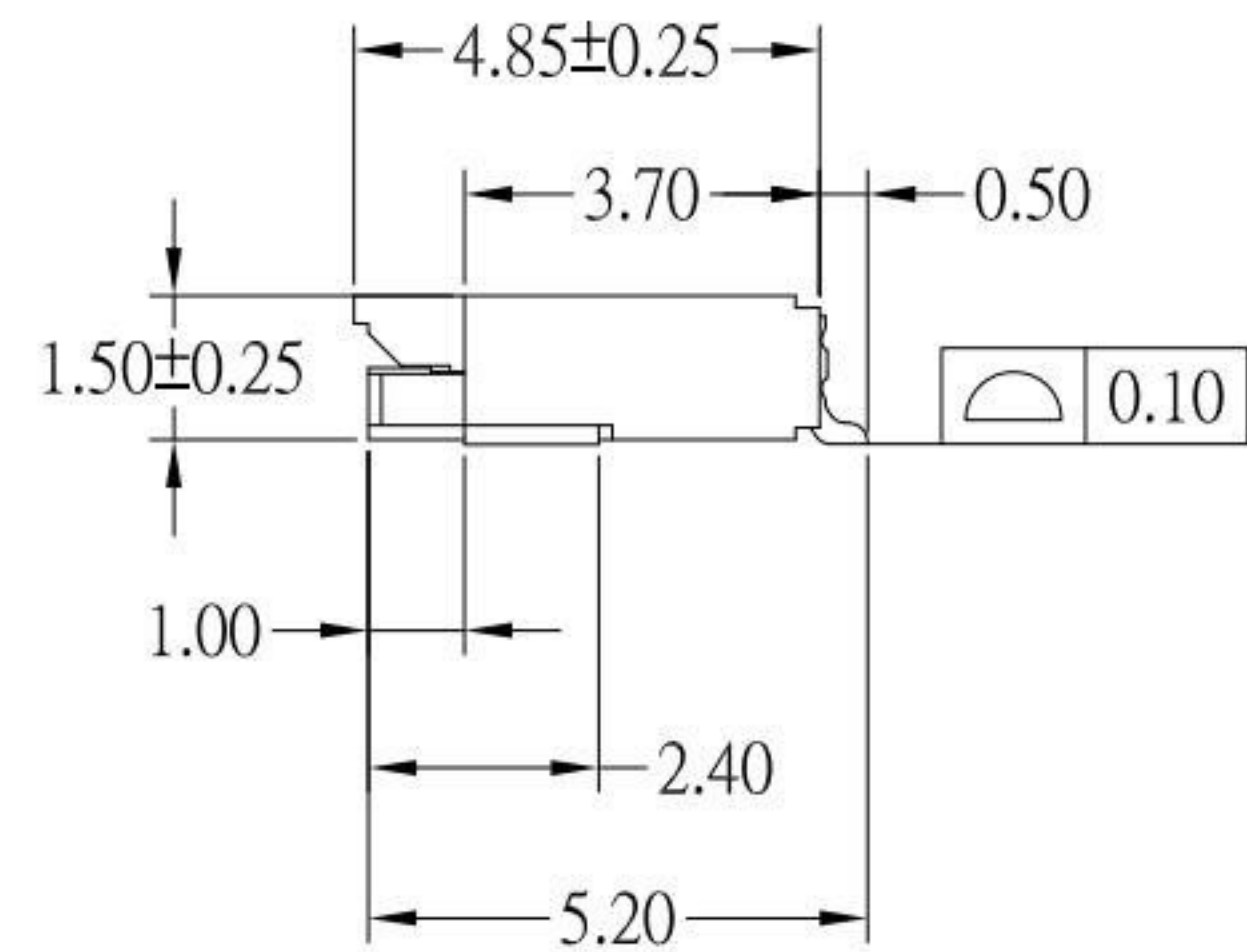
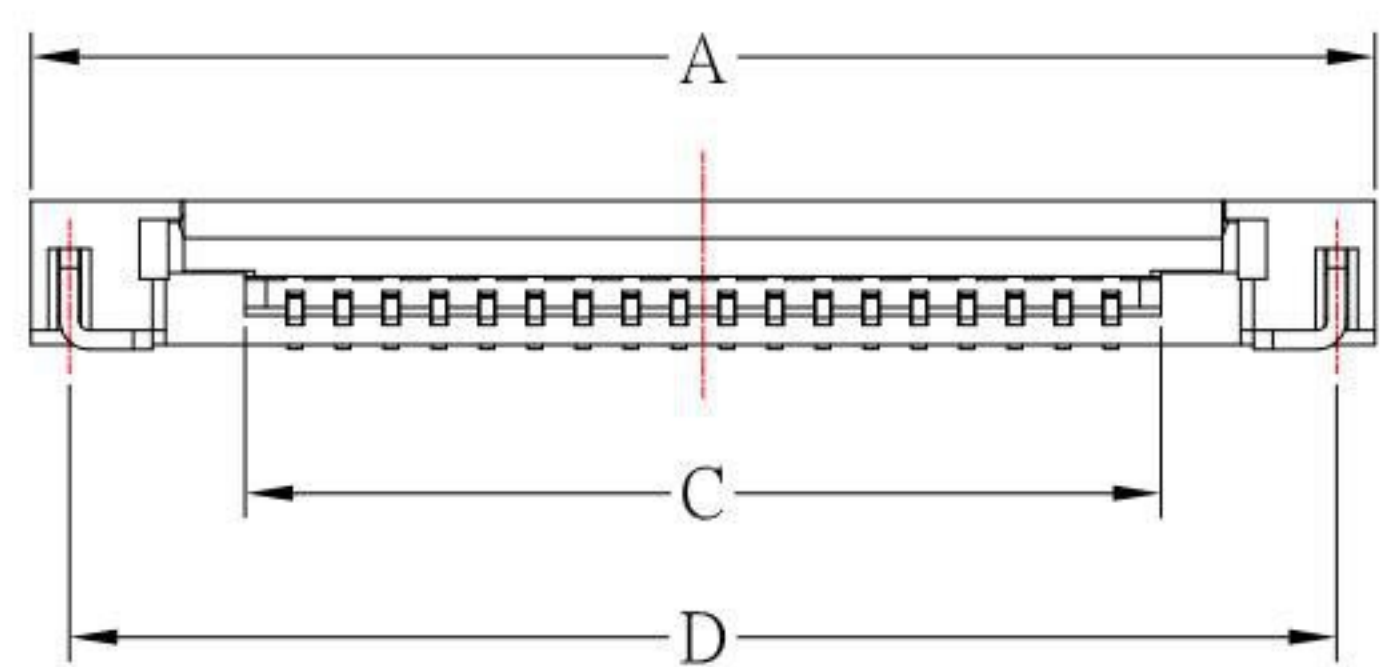


PCB LAYOUT

APPLICABLE FPC/FFC



NOTES:

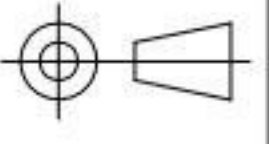
- 1. MATERIAL:
 - 1.1 HOUSING: HIGHT-TEMP PLASTIC,UL 94-V0,COLOR:NATURE
 - 1.2 COVER: HIGHT-TEMP PLASTIC,UL 94-V0,COLOR:BLACK
 - 1.3 CONTACT: PHOSPHOR BRONZE
 - 1.4 LEG: BRASS
- 2. PLATING:
 - 2.1 CONTACT: TIN PLATED ON NICKEL OVERALL
 - 2.2 LEG: TIN PLATED ON NICKEL OVERALL
- 3. RATING:
 - 3.1 CURRENT RATING: 0.5A AC/DC
 - 3.2 VOLTAGE RATING: 25V AC/DC
 - 3.3 TEMPERATURE RANGE: -25°C~+85°C

Number of Contacts	Dimension			
	A	B	C	D
18	14.00	8.50	9.54	13.20
24	17.00	11.50	11.04	16.20

KSD 科斯达电子科技有限公司
 SWITCH CONNECTOR 全球 互联零组件制造企业
KSD ELECTRONIC TECHNOLOGY Co., LTD

TOLERANCE UNLESS OTHERWISE STATED:
 Up to 5 ±0.2
 Above 5 ~ 15 ±0.3
 Above 15 ~ 30 ±0.4
 Above 30 ~ 50 ±0.5
 Angle ±0.3°

3RD. ANGEL'S



UNITS MM

DRAWN BY:	DATE	MAT'L	TITLE	CONNECTOR
Jack Lu	10/23/17			
CHECKED BY:	DATE	FINISH	MODLE	FPC 0.5mm 掀盖式 蝴蝶扣
Jacky Chen	10/23/17			
APPROVED BY:	DATE	SCALE	DWG NO.	FPC05L-15xx-B1-S304
Tony Kao	10/23/17	1:1		
SHEET NO.	1 of 1	PART NO.	FPC05L-15xx-B1-S304	
				SIZE A4
				VER R2

ITEM NO.	DESCRIPTION	DRAWN	DATE
2	更新PIN选项	Jack	102317
1	新增插入深度尺寸	Jack	081117