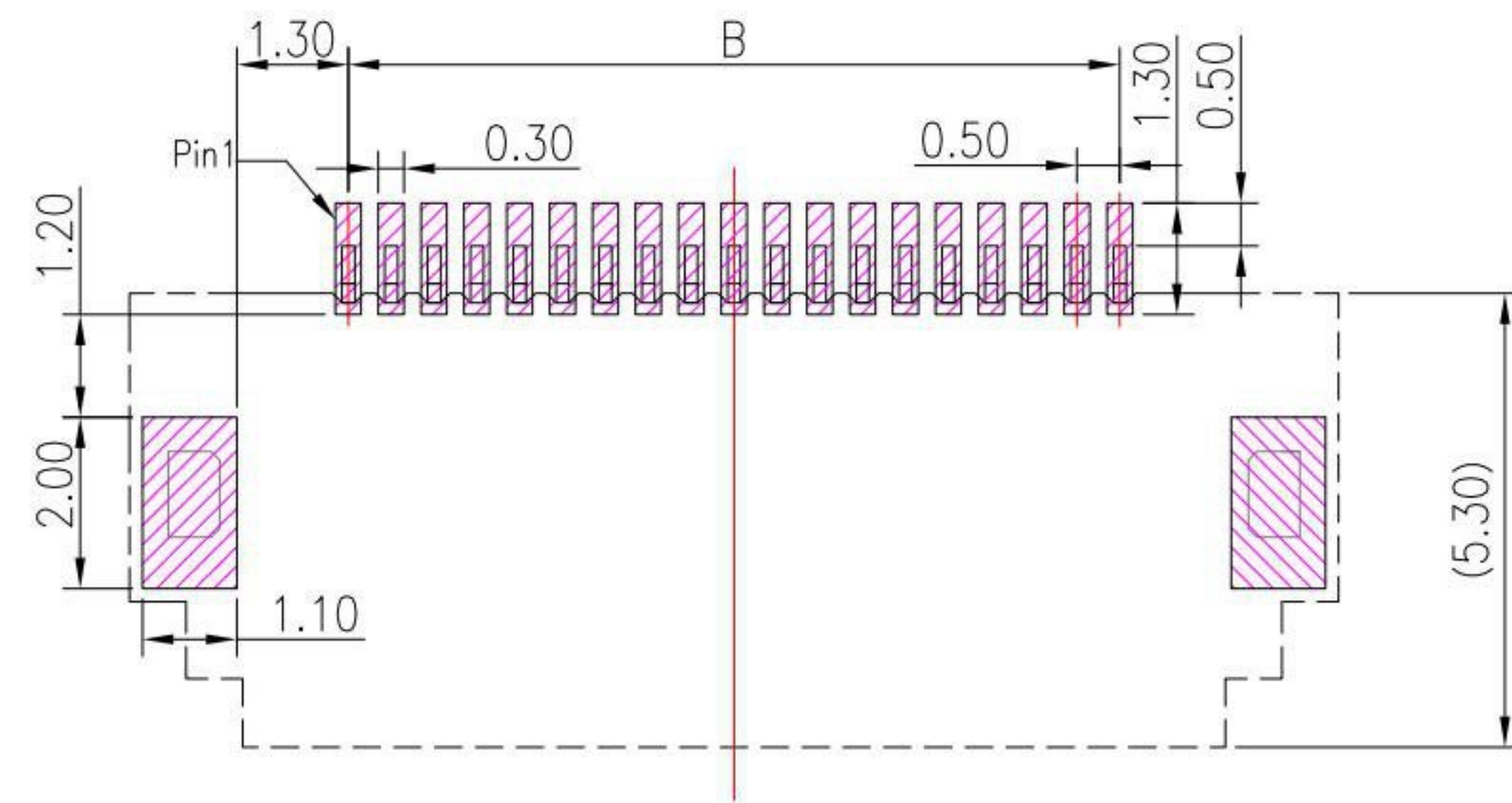
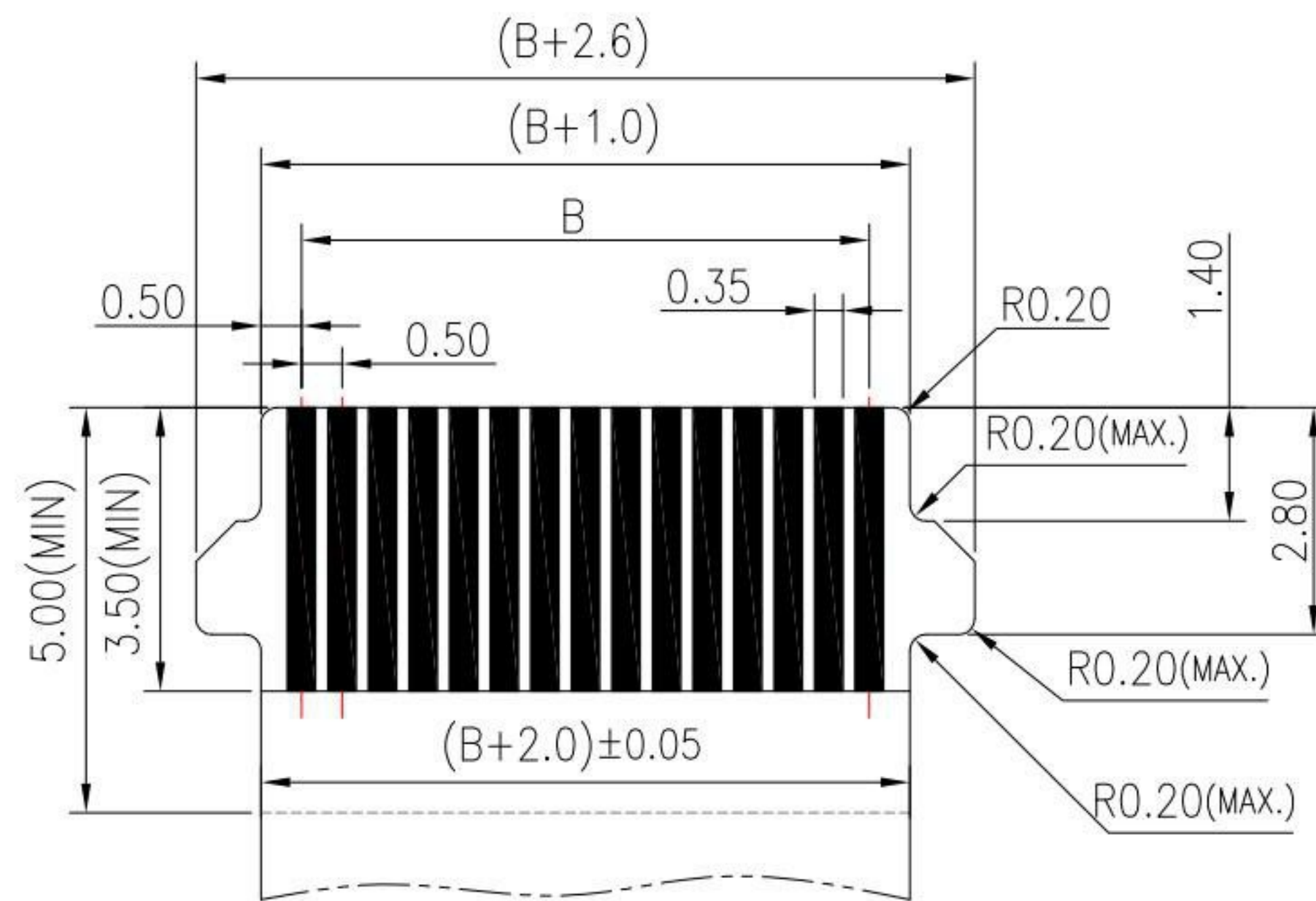


PIN数	A	B	C
12	10.60	5.50	6.58
15	12.10	7.00	8.07
20	14.60	9.50	10.57
24	16.60	11.50	12.57
26	17.60	12.50	13.57



PCB LAYOUT



APPLICABLE FPC/FFC

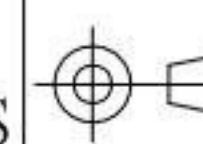
NOTES:

- MATERIAL:
 - HOUSING: HIGHT-TEMP PLASTIC,COLOR:BEIGE
 - ACTUATOR: HIGHT-TEMP PLASTIC,COLOR:BLACK
 - CONTACT: COPPER ALLOY
 - FITTING NAIL: COPPER ALLOY
- PLATING:
 - CONTACT: GOLD / TIN PLATED ON NICKEL OVERALL
 - LEG: TIN PLATED ON NICKEL OVERALL

KSD 科斯达电子科技有限公司
 SWITCH CONNECTOR KSD ELECTRONIC TECHNOLOGY Co., LTD
 全球 互联零组件制造企业

TOLERANCE UNLESS OTHERWISE STATED:
 Up to 5 ±0.2
 Above 5 ~ 15 ±0.3
 Above 15 ~ 30 ±0.4
 Above 30 ~ 50 ±0.5
 Angle ±0.3

3RD. ANGEL'S



UNITS MM

DRAWN BY:	DATE	MAT'L	TITLE	CONNECTOR
Jack Lu	09/15/21			
CHECKED BY:	DATE	FINISH	MODLE	FPC 0.5mm 掀盖式 蝴蝶扣
Jacky Chen	09/15/21			
APPROVED BY:	DATE	SCALE	DWG NO.	FPC05L-15xx-B2-S304
Tony Kao	09/15/21	1:1	PART NO.	FPC05L-15xx-B2-S304
		SHEET NO.	1 of 1	

1	新增PIN数选项	Jack	091521
ITEM NO.	DESCRIPTION	DRAWN	DATE

