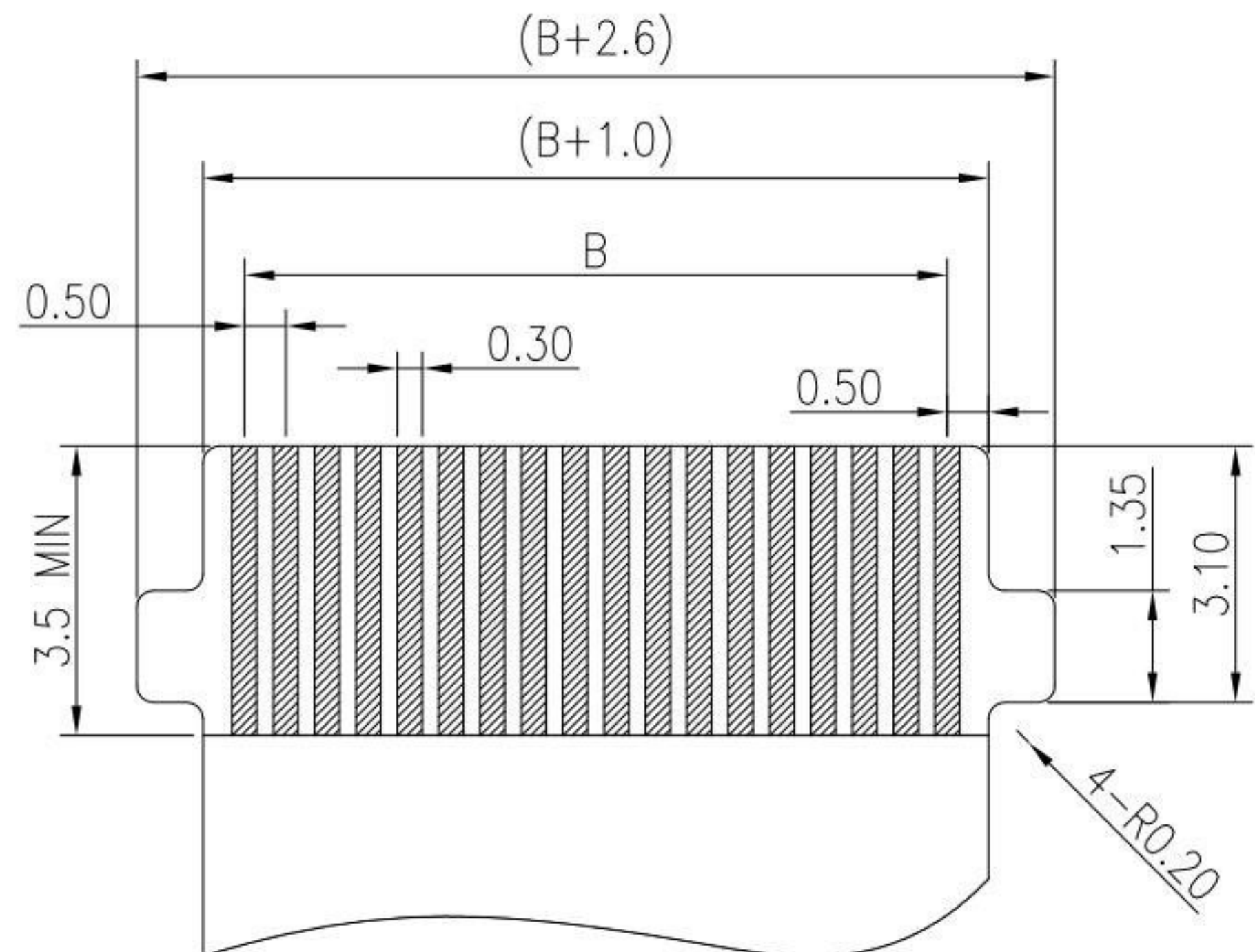
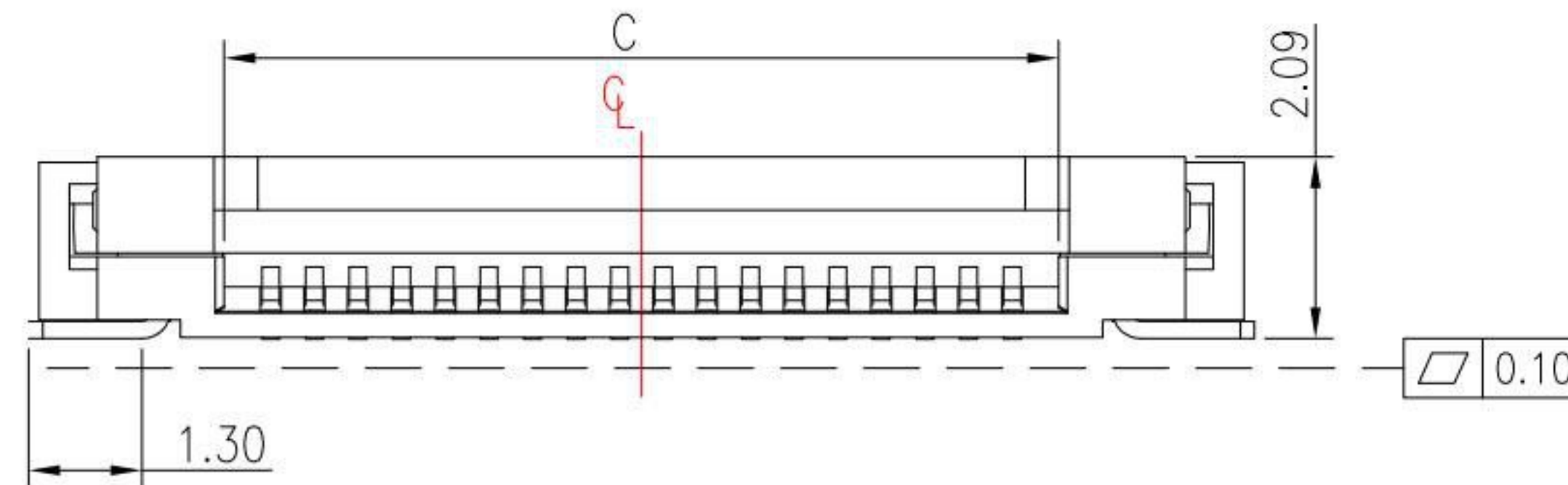
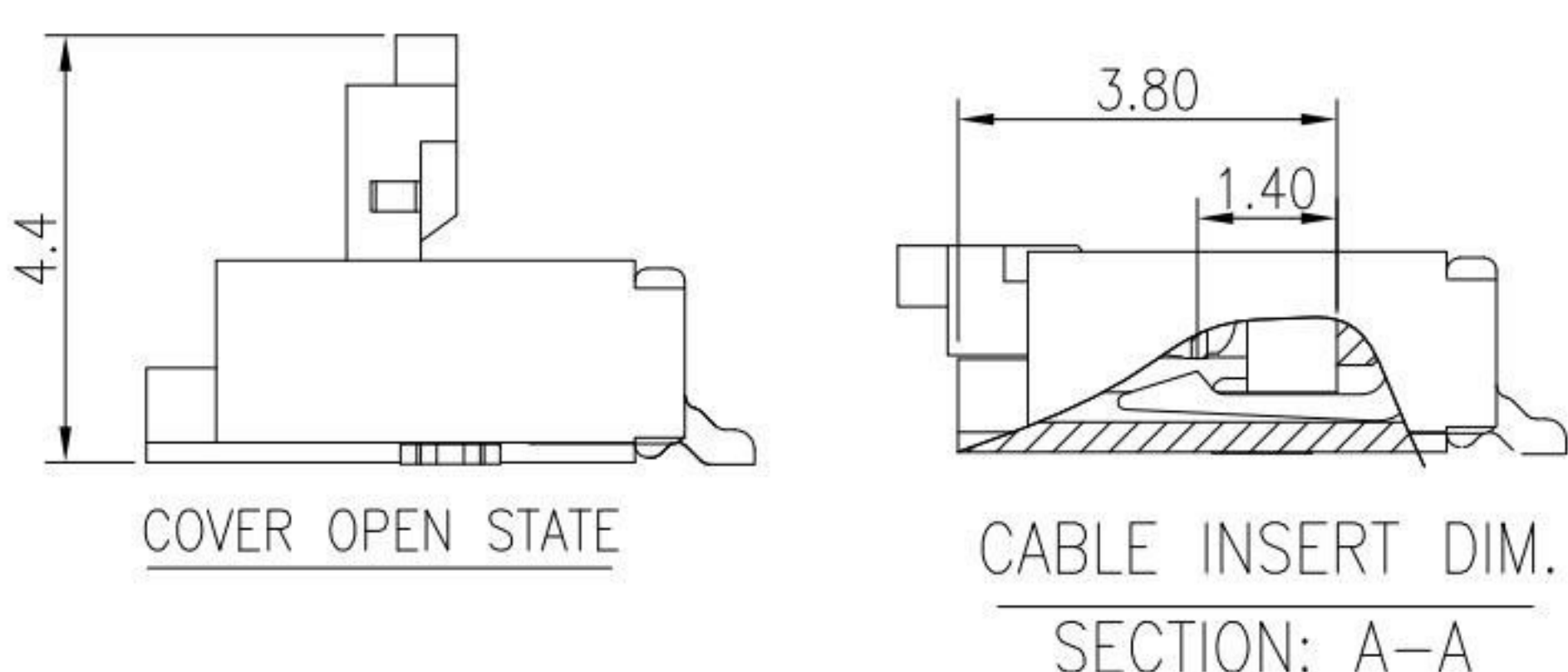


PCB LAYOUT



APPLICABLE FPC/FFC



PIN	Dimensions			
	A	B	C	D
10	9.81	4.50	5.57	8.43
15	12.31	7.00	8.07	10.93
17	13.31	8.00	9.07	11.93
18	13.81	8.50	9.57	12.43
22	15.81	10.50	11.57	14.43
25	17.31	12.00	13.07	15.93
28	18.81	13.50	14.57	17.43
30	19.81	14.50	15.57	18.43
32	20.81	15.50	16.57	19.43
36	22.81	17.50	18.57	21.43
40	24.81	19.50	20.57	23.43
54	31.81	26.50	27.57	30.43

- NOTES:
- MATERIAL:
    - HOUSING: HIGHT-TEMP PLASTIC,COLOR:BEIGE
    - ACTUATOR: HIGHT-TEMP PLASTIC,COLOR:BLACK
    - CONTACT: PHOSPHOR BRONZE
    - FITTING NAIL: BRASS
  - PLATING:
    - CONTACT: GOLD / TIN PLATED ON NICKEL OVERALL
    - LEG: TIN PLATED ON NICKEL OVERALL

**KSD** 科斯达电子科技有限公司  
 SWITCH CONNECTOR KSD ELECTRONIC TECHNOLOGY Co., LTD  
 全球 互联零组件制造企业

TOLERANCE UNLESS OTHERWISE STATED:  
 Up to 5 ±0.2  
 Above 5 ~ 15 ±0.3  
 Above 15 ~ 30 ±0.4  
 Above 30 ~ 50 ±0.5  
 Angle ±0.3°

3RD. ANGEL'S

UNITS MM

DRAWN BY:	DATE	MAT'L	TITLE	CONNECTOR
Jack Lu	05/15/18			
CHECKED BY:	DATE	FINISH	MODLE	FPC 0.5mm 掀盖式 蝴蝶扣
Jacky Chen	05/15/18			
APPROVED BY:	DATE	SCALE	DWG NO.	FPC05L-20xx-B2-S304
Tony Kao	05/15/18	1:1	PART NO.	FPC05L-20xx-B2-S304
		SHEET NO.	1 of 1	
				SIZE A4
				VER R

ITEM NO.	DESCRIPTION	DRAWN	DATE