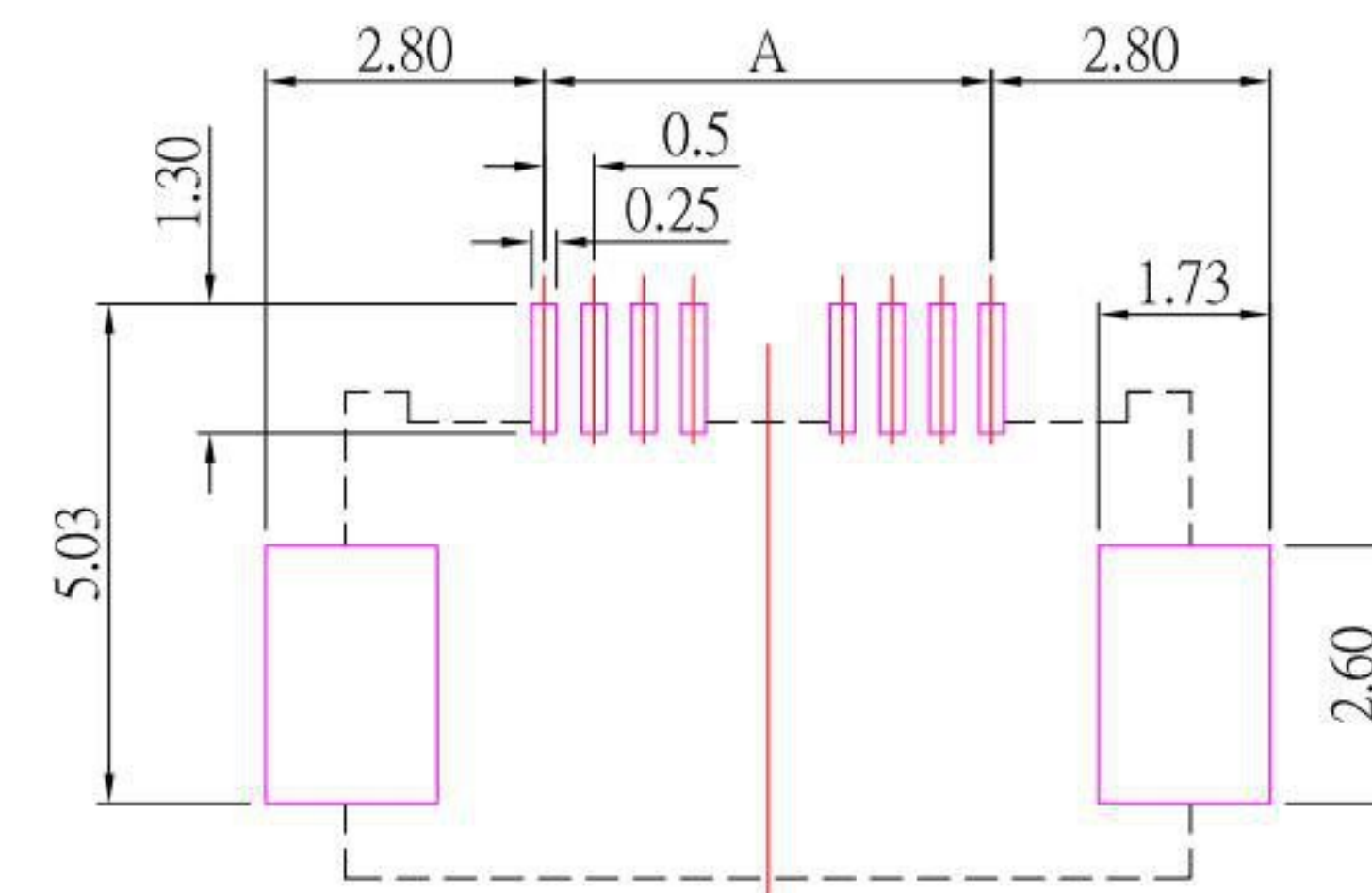
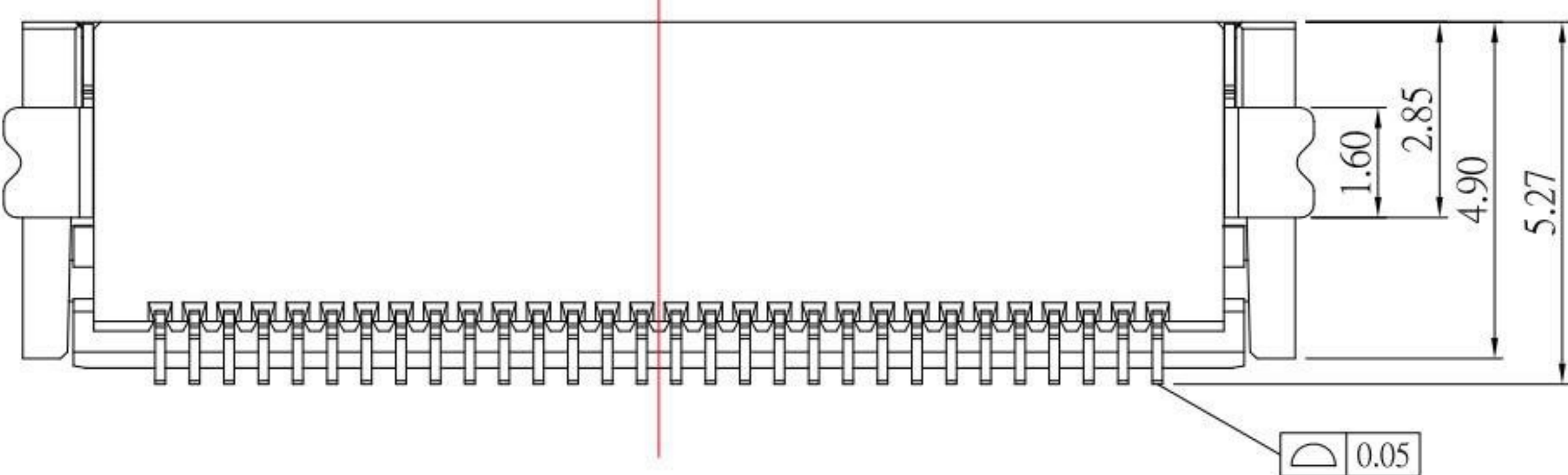
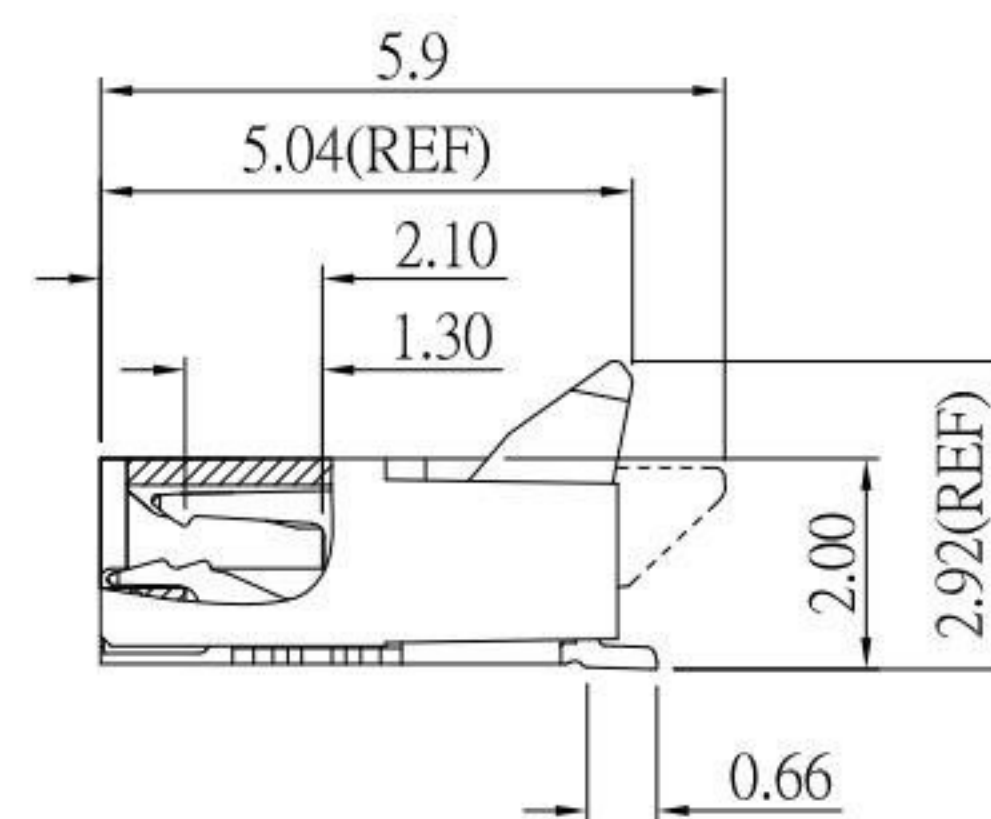
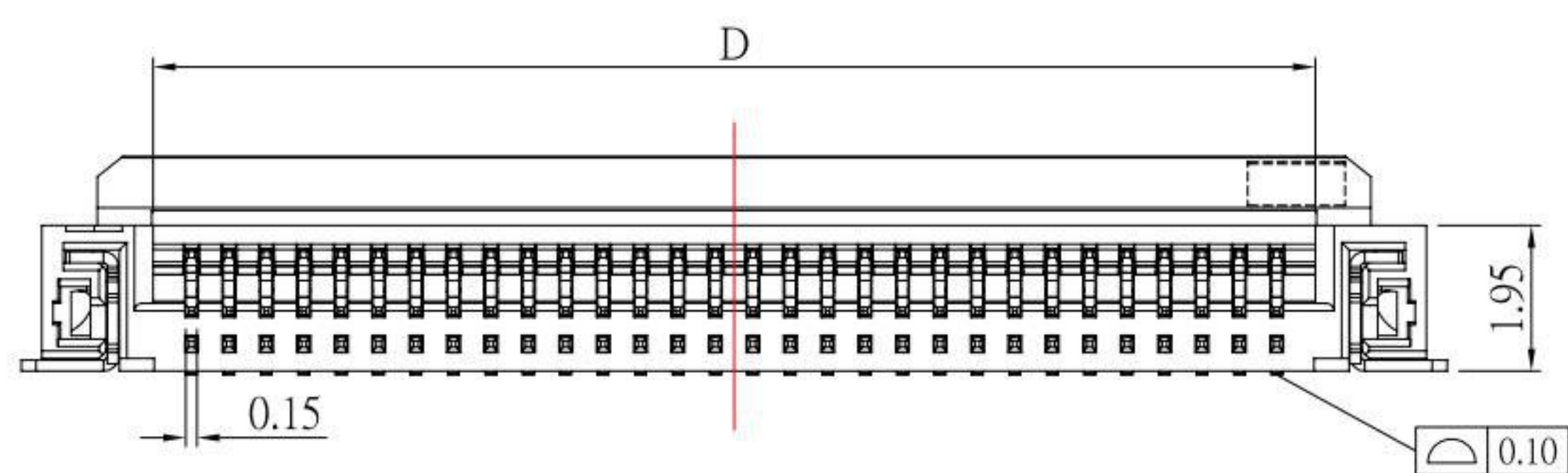


RECOMMENDED FFC/FPC DIM.



RECOMMEND PCB LAYOUT



NOTES:

1. MATERIAL:
 - 1.1 HOUSING: LCP,NATURAL
 - 1.2 COVER: LCP,BLACK
 - 1.3 CONTACT: PHOSPHOR BRONZE
 - 1.4 STATOR: BRASS
2. PLATING:
 - 2.1 CONTACT: GOLD PLATED ON NICKEL OVERALL
 - 2.2 STATOR: TIN PLATED

| NO. DIM POSITIONS | A | B | C | D |
|-------------------|-------|-------|-------|-------|
| 6 | 2.50 | 6.50 | 7.05 | 3.55 |
| 8 | 3.50 | 7.50 | 8.05 | 4.55 |
| 9 | 4.00 | 8.00 | 8.55 | 5.05 |
| 10 | 4.50 | 8.50 | 9.05 | 5.55 |
| 12 | 5.50 | 9.50 | 10.05 | 6.55 |
| 13 | 6.00 | 10.00 | 10.55 | 7.05 |
| 14 | 6.50 | 10.50 | 11.05 | 7.55 |
| 15 | 7.00 | 11.00 | 11.55 | 8.05 |
| 16 | 7.50 | 11.50 | 12.05 | 8.55 |
| 18 | 8.50 | 12.50 | 13.05 | 9.55 |
| 20 | 9.50 | 13.50 | 14.05 | 10.55 |
| 24 | 11.50 | 15.50 | 16.05 | 12.55 |
| 25 | 12.00 | 16.00 | 16.55 | 13.05 |
| 28 | 13.50 | 17.50 | 18.05 | 14.55 |
| 30 | 14.50 | 18.50 | 19.05 | 15.55 |
| 31 | 15.00 | 19.00 | 19.55 | 16.05 |
| 32 | 15.50 | 19.50 | 20.05 | 16.55 |
| 34 | 16.50 | 20.50 | 21.05 | 17.55 |
| 36 | 17.50 | 21.50 | 22.05 | 18.55 |
| 40 | 19.50 | 23.50 | 24.05 | 20.55 |
| 42 | 20.50 | 24.50 | 25.05 | 21.55 |
| 45 | 22.00 | 26.00 | 26.55 | 23.05 |
| 50 | 24.50 | 28.50 | 29.05 | 25.55 |
| 54 | 26.50 | 30.50 | 31.05 | 27.55 |
| 60 | 29.50 | 33.50 | 34.05 | 30.55 |
| 80 | 39.50 | 43.50 | 44.05 | 40.55 |
| 96 | 47.50 | 51.50 | 52.05 | 48.55 |

| | | | |
|----------|----------------------------|-------|--------|
| 10 | 更新HOUSING顏色和CONTACT鍍層 | Jack | 061622 |
| 9 | 更新圖面 | Jack | 080621 |
| 8 | 新增PCB LAYOUT尺寸 | Jack | 040720 |
| 7 | 更新RECOMMENDED FFC/FPC DIM. | Jack | 010920 |
| 6 | 更新PIN選項 | Jack | 052119 |
| 5 | 更新PIN選項 | Jack | 120817 |
| 4 | 更新PIN選項 | Jack | 101816 |
| 3 | 更新為A0版 | Jack | 080416 |
| 2 | 更新圖面 | Jack | 072916 |
| 1 | 更新圖面 | Jack | 070716 |
| ITEM NO. | DESCRIPTION | DRAWN | DATE |

KSD 科斯达电子科技有限公司
 SWITCH CONNECTOR KSD ELECTRONIC TECHNOLOGY Co., LTD
 全球互聯零組件制造企业

TOLERANCE UNLESS OTHERWISE STATED:
 Up to 5 ±0.2
 Above 5 ~ 15 ±0.3
 Above 15 ~ 30 ±0.4
 Above 30 ~ 50 ±0.5
 Angle ±0.3

3RD. ANGEL'S

UNITS MM

| | | | | |
|--------------|----------|-----------|----------|-----------------------|
| DRAWN BY: | DATE | MAT'L | TITLE | CONNECTOR |
| Jack Lu | 12/06/22 | | | |
| CHECKED BY: | DATE | FINISH | MODLE | FPC 0.5PH H:2.0mm 後掀式 |
| Jacky Chen | 12/06/22 | | | |
| APPROVED BY: | DATE | SCALE | DWG NO. | FPC05L-20xx-C-S304 |
| Tony Kao | 12/06/22 | 1:1 | | |
| | | SHEET NO. | PART NO. | FPC05L-20xx-C-S304 |
| | | 1 of 1 | | |
| | | | SIZE | A4 |
| | | | VER | R11 |