



SPECIFICATIONS

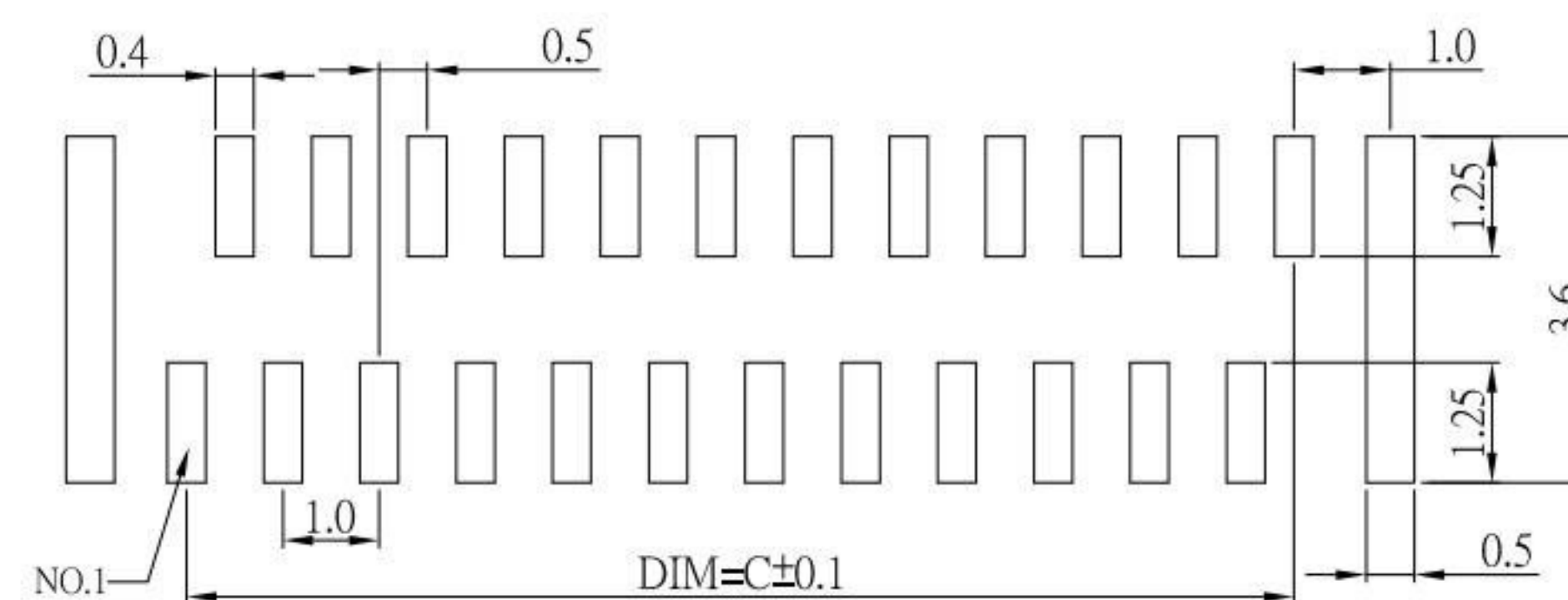
Electrical Characteristics:

- 1.1 Voltage rating: 50V AC / DC
- 1.2 Current rating: 0.4A AC / DC
- 1.3 Temperature range: -25°C~+85°C
- 1.4 Withstand Voltage: 200V AC / Minute
- 1.5 Contact Resistance: 20mΩ MAX
- 1.6 Insulation resistance: 500MΩ MIN

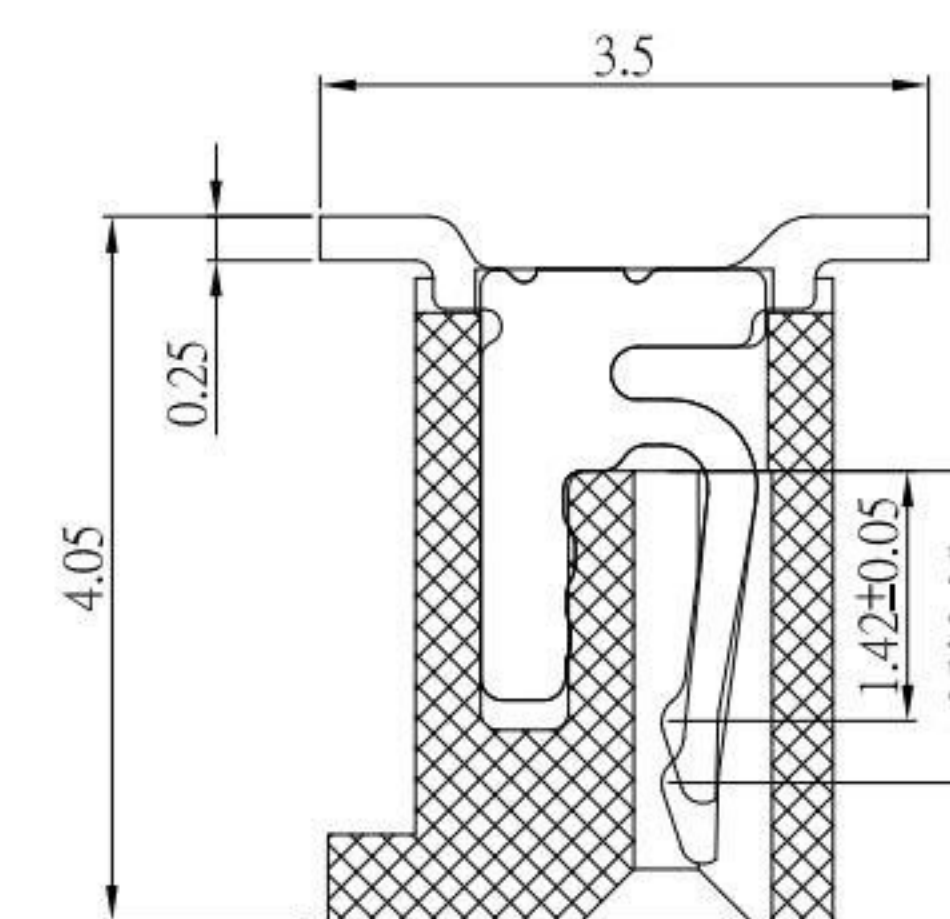
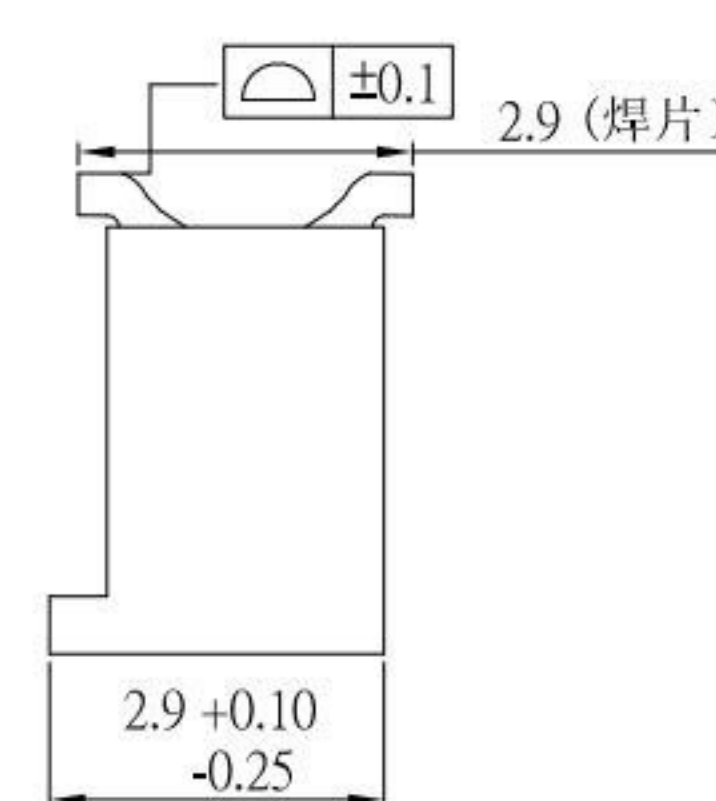
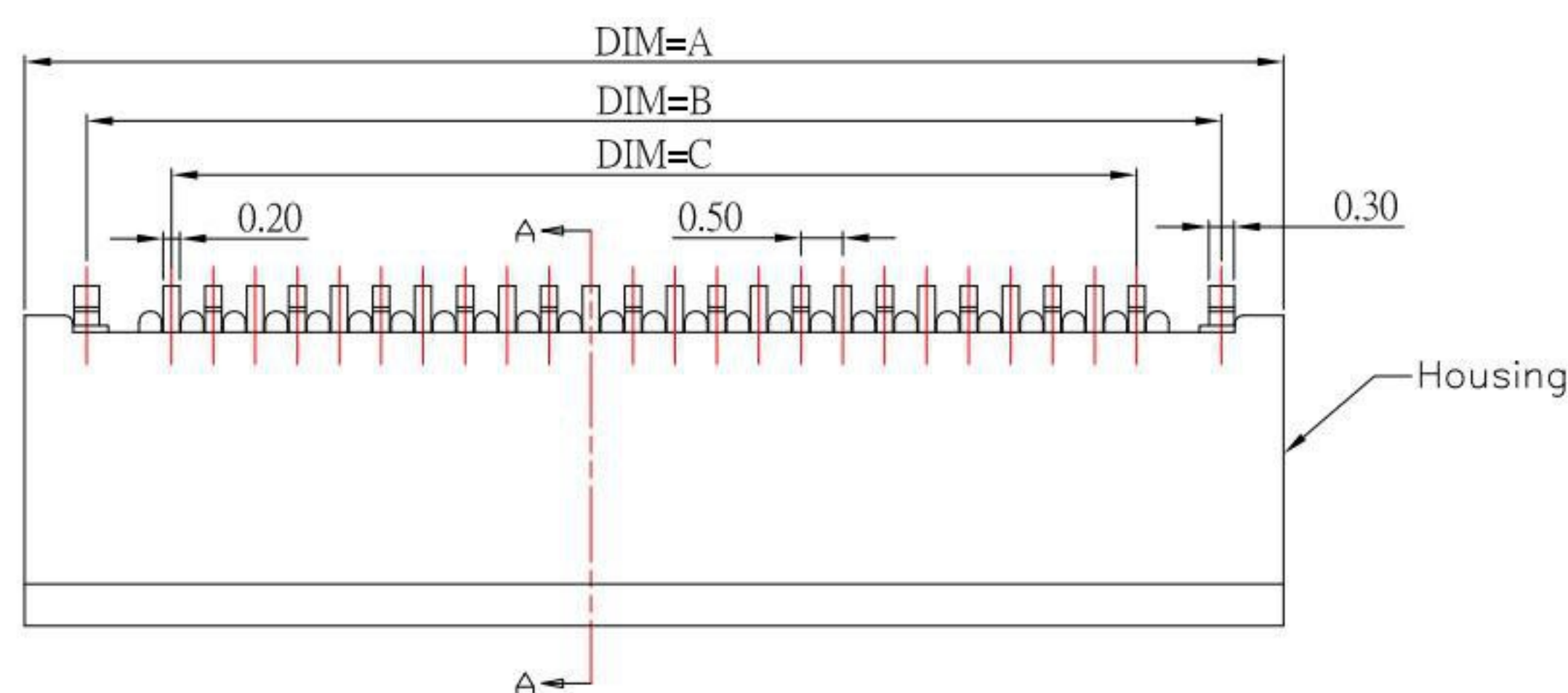
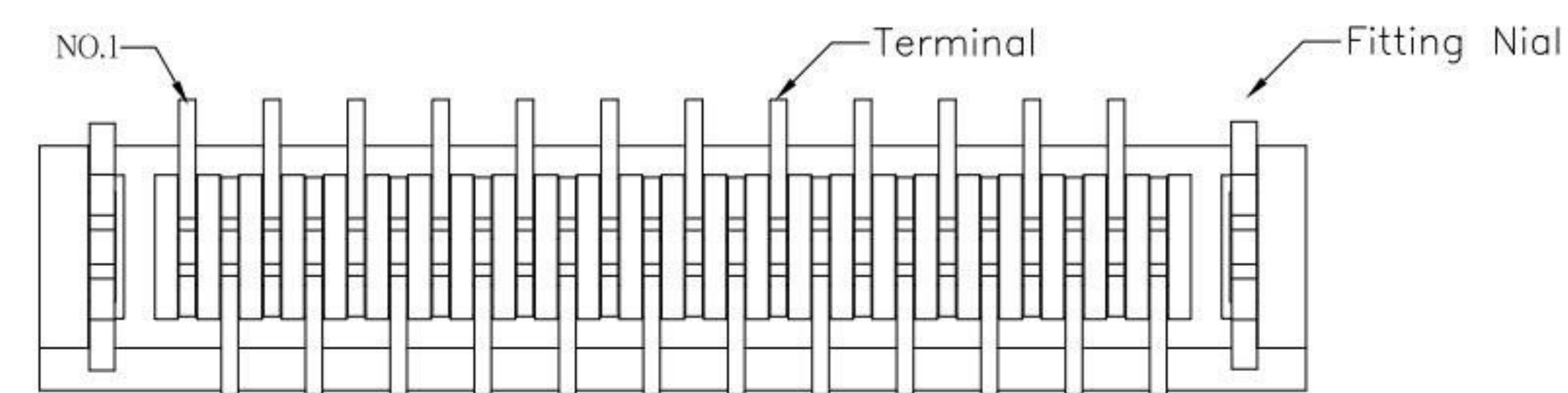
Material:

- 1.1 Housing: LCP
- 1.2 Contact: Phosphor Bronze, Tin PLated
- 1.3 Fitting Nial: Phosphor Bronze, Tin PLated

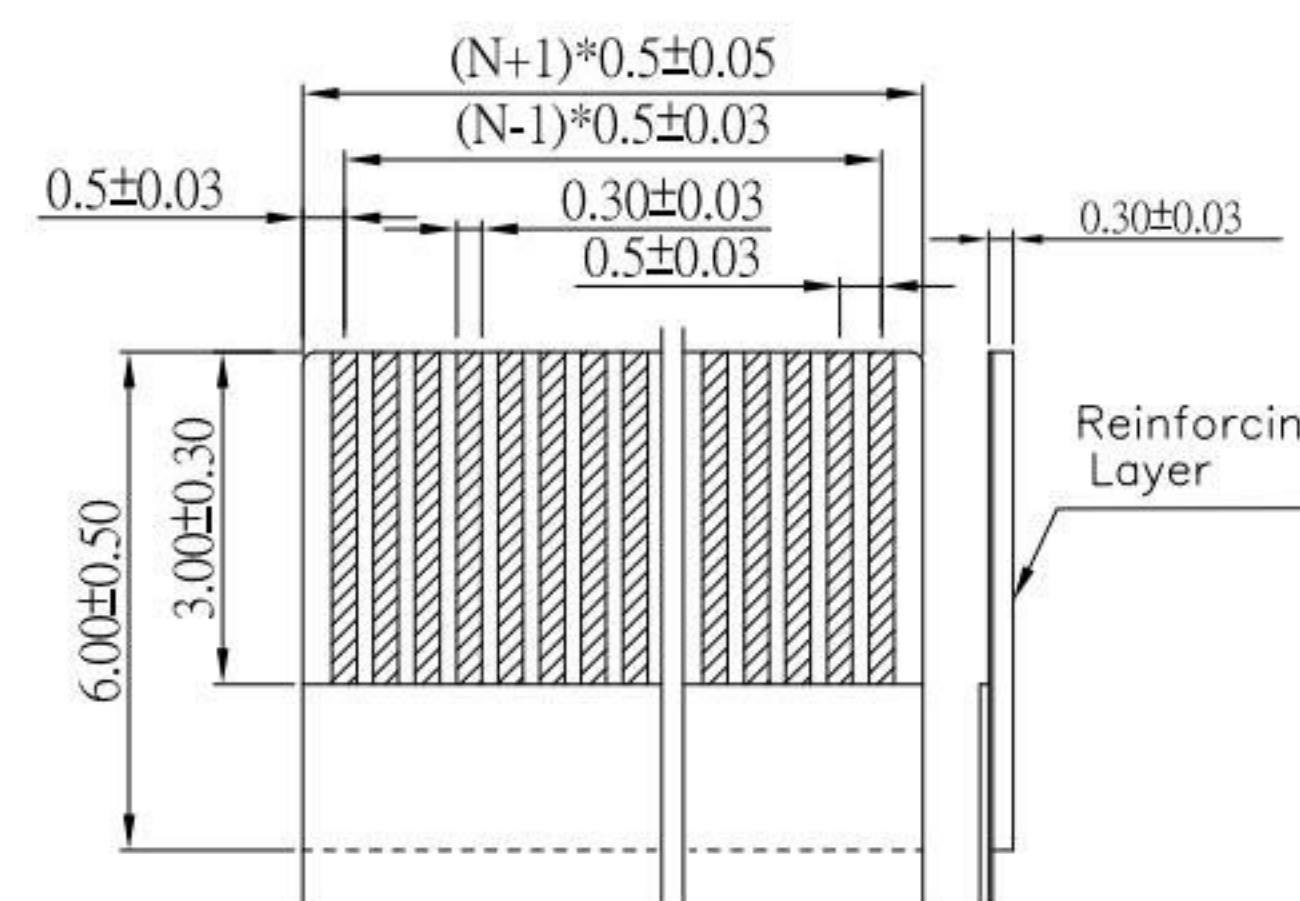
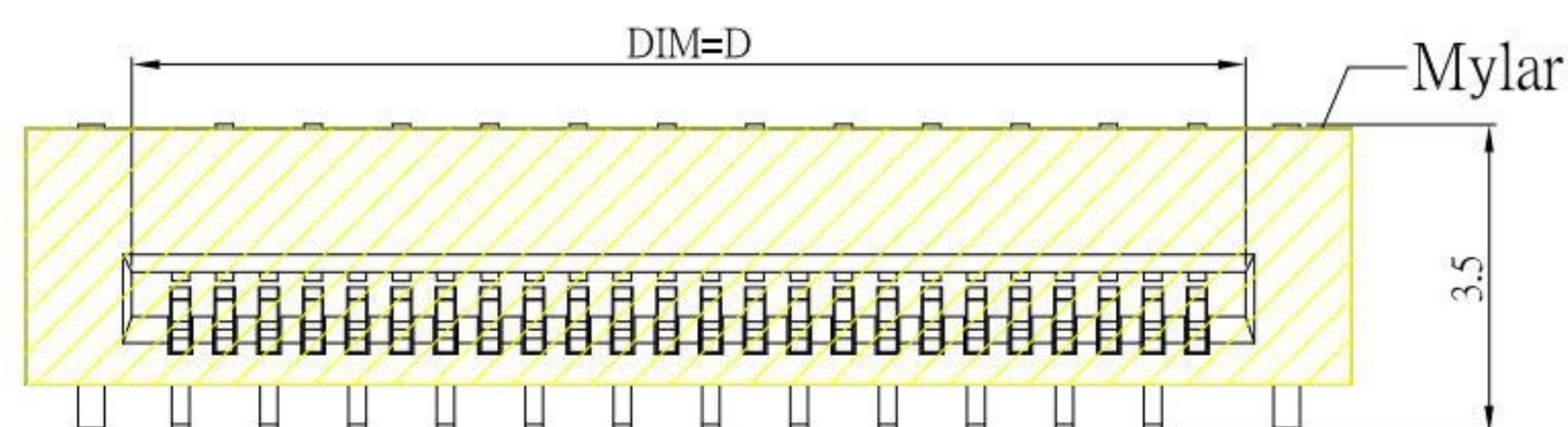
PIN数	DIM=A	DIM=B	DIM=C	DIM=D
48P	27.00	25.50	23.50	24.60
45P	25.50	24.00	22.00	23.10
44P	25.00	23.50	21.50	22.60
42P	24.00	22.50	20.50	21.60
40P	23.00	21.50	19.50	20.60
30P	18.00	16.50	14.50	15.60
28P	17.00	15.50	13.50	14.60
24P	15.00	13.50	11.50	12.60
22P	14.00	12.50	10.50	11.60
20P	13.00	11.50	9.50	10.60
18P	12.00	10.50	8.50	9.60
16P	11.00	9.50	7.50	8.60
14P	10.00	8.50	6.50	7.60
12P	9.00	7.50	5.50	6.60
10P	8.00	6.50	4.50	5.60
9P	7.50	6.00	4.00	5.10
8P	7.00	5.50	3.50	4.60
6P	6.00	4.50	2.50	3.60
4P	5.00	3.50	1.50	2.60



RECOMMENDED PCB LAYOUT



SECTION A-A



RECOMMENDED FFC/FPC DIM.

9	更新零件底部圖面	Jack	021522
7	更新樣式	Jack	010322
6	新增尺寸	Jack	092920
5	新增Mylar	Jack	052719
4	更新圖面	Jack	082218
3	更新PIN選項	Jack	030718
2	更新PIN選項	Jack	011818
1	更新圖面	Jack	072816
ITEM NO.	DESCRIPTION	DRAWN	DATE

KSD 科斯达电子科技有限公司
 SWITCH CONNECTOR KSD ELECTRONIC TECHNOLOGY Co., LTD
 全球 互聯零組件製造企業

TOLERANCE UNLESS OTHERWISE STATED:	Up to 5 ±0.2	3RD. ANGEL'S	UNITS	MM
	Above 5 ~ 15 ±0.3			
	Above 15 ~ 30 ±0.4			
	Above 30 ~ 50 ±0.5			
	Angle ±0.3°			

DRAWN BY:	DATE	MAT'L	TITLE	CONNECTOR
Jack Lu	02/15/22		MODLE	FPC 直立式 SMT H:4.0mm
CHECKED BY:	DATE	FINISH	DWG NO.	FPC05S1-40xx-N-S304
Jacky Chen	02/15/22		PART NO.	FPC05S1-40xx-N-S304
APPROVED BY:	DATE	SCALE	1:1	
Tony Kao	02/15/22	SHEET NO.	1 of 1	
		SIZE	A4	
		VER	R8	